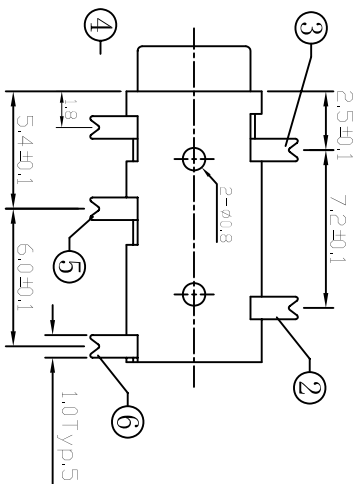
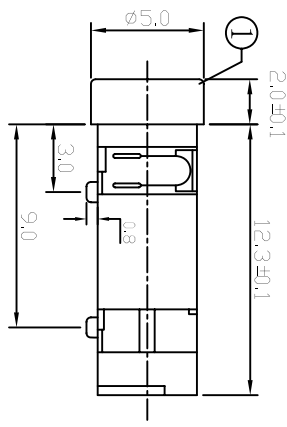
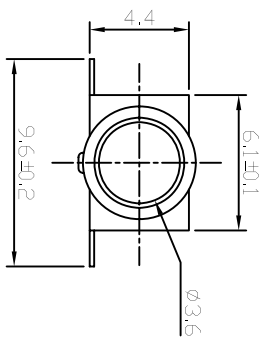
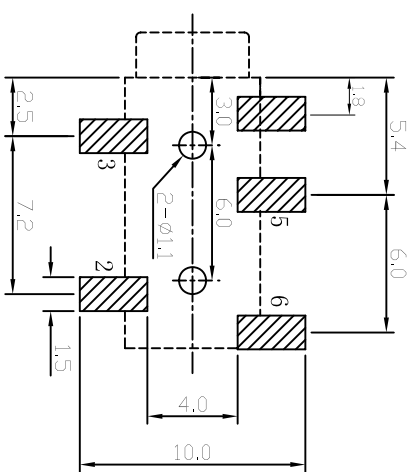


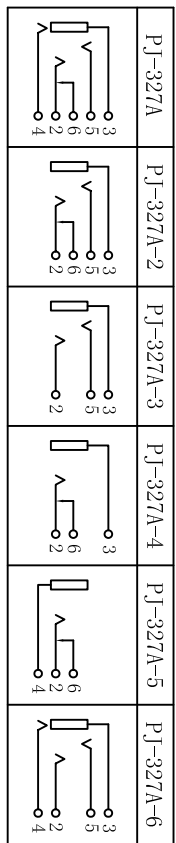
**ROHS**  
2002/95/EC



P.C.B LAYOUT  
TOP VIEW



SCHEMATIC



6	CURVE PIECE	1	BRASS	Au-Plating
5	3#CONTACT FOOT	1	BRONZE	Au-Plating
3	1#CONTACT FOOT	1	BRONZE	Au-Plating
2	SPRING	1	BRONZE	Au-Plating
1	HOUSING	1	PA6T	Au-Plating
NO. DESCRIPTION		QTY	MATERIAL	PLATING
UNIT:MM		MODEL NO: PJ-327A		
TYPE: PHONE JACK		PAPER NO: A4		
DESIGNER BY:		TOLERANCE ±0.15		
CHECK BY:		ANGLES ±1.5°		
APPROVED BY:		SCALE 3:1		
2007.03.14		PAGE 1 OF 1		
		VER 1		