

<i>BLUETOOTH</i> DOC	Date / Year-Month-Day 2012-07-24	Approved Adopted	Revision V15	Document No AVRCP_SPEC
Prepared Audio Video WG	e-mail address avv-main@bluetooth.org			N.B.

## AUDIO/VIDEO REMOTE CONTROL PROFILE

### Abstract

This profile defines the requirements for Bluetooth® devices necessary for the support of the Audio/Video Remote Control usage case. The requirements are expressed in terms of end-user services, and by defining the features and procedures that are required for interoperability between Bluetooth devices in the Audio/Video Remote Control usage case.

## Revision History

Revision	Date	Comments
V10	May 2003	Adopted
V13	April 2007	Adopted Updated to include <ul style="list-style-type: none"> <li>• Metadata transfer of current playing song</li> </ul> Status change notifications
D14 Prototype Specification	February 2008	Adopted Updated to include <ul style="list-style-type: none"> <li>• Media player selection</li> <li>• Browsing</li> <li>• Searching</li> </ul> Advanced Volume Control
D14r00	April 2008	Updated to include <ul style="list-style-type: none"> <li>• Errata 894, 2255, 2274, 2275, 2290, 2294, 2374, 2436, 2497</li> <li>• Editorial Issues; 2469, 2470, 2485, 2486, 2489, 2491, 2498, 2499, 2500, 2502, 2507, 2508, 2509, 2512, 2513, 2516, 2519, 2525, 2530, 2531, 2544, 2548</li> </ul> Technical Issues; 2490, 2501, 2518, 2527, 2528, 2559
D14r01	May 2008	Updated with BARB review comments and fix for missing field in figure 6.44
D14r02	May 2008	Editorial update for BARB approval
D14r03	June 2008	Inclusion of the issues 2599, 2614, 2615
V14r00	June 2008	Adopted by the Bluetooth SIG Board of Directors
D15r00	13 January 2012	Updated to include errata: ESR04: 2549 ESR05: 2011=N/A, 2255, 2588, 2572, 2560, 2962=N/A, 2932, 2814, 2786, 2763, 2762, 2740, 2720, 2708, 2707, 2698, 2687, 2761, 2688
D15r01- D15r06	13 March 2012- 17 May 2012	Added ESR04: 2685 (Section 6.7.2) Changed "BT SIG" to Bluetooth SIG globally Removed xref in Table 6.49 E2572 completed for GetPlayerApplicationSettingValueText E2762: Removed extra sentence in paragraph 2, section 6.5.7 E2763 Removed "operation" in 2 <sup>nd</sup> table in §22.10 E2763: Added "operation" beneath Table 4.6 E2708: Removed original figure 2.4 E2708 Reinstated figure 2.5; Replaced figure 2.7 Added specification change history as Section 1.4 Addressed DT's review comments Merged ESR01-05 text. Miscellaneous editorial updates. Edited Section 8 to reflect version increment of AVDTP to 1.4 and AVRCP to 1.5. Corrected application of erratum 2560 to Tables 6.26 and 6.27. Added SIG formatting. Removed excessive cropping from a number of figures. Corrected alignment of a number of tables. Corrected highlighting of a number of hyperlinks. Undeleted Errata tags; Deleted comment text.
V15	24 July 2012	Adopted by the Bluetooth SIG Board of Directors

## Contributors

<b>Name</b>	<b>Company</b>
Alexander Hanke	Audi
Alicia Courtney	Broadcom
Ash Kapur	Broadcom
Rüdiger Mosig	Berner and Mattner
Gordon Downie	CSR
David Trainor	CSR
Souichi Saito	Denso
Morgan Lindqvist	Ericsson
Wim Koster	Ericsson
Rene Kuiken	Ericsson
Masahiko Nakashima	Fujitsu
Baskar Subramanian	Impulsesoft
K.A Srinivasan	Impulsesoft
Ilya Goldberg	Matsushita
Tsuyoshi Okada	Matsushita
Thomas Karlsson	Mecel
Jurgen Schnitzler	Nokia
Kalervo Kontola	Nokia
Martti Niska	Nokia
Thomas Block	Nokia
Vesa Lunden	Nokia
Sebastien Henrio	Parrot
Thierry Wœlfflé	Parrot
Erik Schylander	Philips
Shaun Barrett	Philips
Christian Bouffieux	Philips
Geert Knapen	Philips
Emmanuel Mellery	Philips
Laurent Meunier	Philips
Scott Walsh	Plantronics
John Larkin	Qualcomm
Dmitri Toropov	Siemens
Masakazu Hattori	Sony
Harumi Kawamura	Sony
Rüdiger Mosig	Sony
Yoshiyuki Nezu	Sony
Hiroyasu Noguchi	Sony
Tomoko Tanaka	Sony
Atsushi Ichise	Sony
Wilhelm Hagg	Sony
Masahiko Seki	Sony
Dick de Jong	Sony Ericsson
Patric Lind	Sony Ericsson
Siân James	Symbian
Tim Howes	Symbian
Junko Ami	Toshiba
Yoshiaki Takabatake	Toshiba
Ichiro Tomoda	Toshiba
Makoto Kobayashi	Toshiba
Shuichi Sakurai	Toshiba
Makoto Yamashita	Toshiba

## Disclaimer and Copyright Notice

The copyright in this specification is owned by the Promoter Members of *Bluetooth*® Special Interest Group (SIG), Inc. ("*Bluetooth* SIG"). Use of these specifications and any related intellectual property (collectively, the "Specification"), is governed by the Promoters Membership Agreement among the Promoter Members and *Bluetooth* SIG (the "Promoters Agreement"), certain membership agreements between *Bluetooth* SIG and its Adopter and Associate Members (the "Membership Agreements") and the *Bluetooth* Specification Early Adopters Agreements (1.2 Early Adopters Agreements) among Early Adopter members of the unincorporated *Bluetooth* SIG and the Promoter Members (the "Early Adopters Agreement"). Certain rights and obligations of the Promoter Members under the Early Adopters Agreements have been assigned to *Bluetooth* SIG by the Promoter Members.

Use of the Specification by anyone who is not a member of *Bluetooth* SIG or a party to an Early Adopters Agreement (each such person or party, a "Member"), is prohibited. The legal rights and obligations of each Member are governed by their applicable Membership Agreement, Early Adopters Agreement or Promoters Agreement. No license, express or implied, by estoppel or otherwise, to any intellectual property rights are granted herein.

Any use of the Specification not in compliance with the terms of the applicable Membership Agreement, Early Adopters Agreement or Promoters Agreement is prohibited and any such prohibited use may result in termination of the applicable Membership Agreement or Early Adopters Agreement and other liability permitted by the applicable agreement or by applicable law to *Bluetooth* SIG or any of its members for patent, copyright and/or trademark infringement.

**THE SPECIFICATION IS PROVIDED "AS IS" WITH NO WARRANTIES WHATSOEVER, INCLUDING ANY WARRANTY OF MERCHANTABILITY, NONINFRINGEMENT, FITNESS FOR ANY PARTICULAR PURPOSE, SATISFACTORY QUALITY, OR REASONABLE SKILL OR CARE, OR ANY WARRANTY ARISING OUT OF ANY COURSE OF DEALING, USAGE, TRADE PRACTICE, PROPOSAL, SPECIFICATION OR SAMPLE.**

Each Member hereby acknowledges that products equipped with the *Bluetooth* technology ("*Bluetooth* products") may be subject to various regulatory controls under the laws and regulations of various governments worldwide. Such laws and regulatory controls may govern, among other things, the combination, operation, use, implementation and distribution of *Bluetooth* products. Examples of such laws and regulatory controls include, but are not limited to, airline regulatory controls, telecommunications regulations, technology transfer controls and health and safety regulations. Each Member is solely responsible for the compliance by their *Bluetooth* Products with any such laws and regulations and for obtaining any and all required authorizations, permits, or licenses for their *Bluetooth* products related to such regulations within the applicable jurisdictions. Each Member acknowledges that nothing in the Specification provides any information or assistance in connection with securing such compliance, authorizations or licenses. **NOTHING IN THE SPECIFICATION CREATES ANY WARRANTIES, EITHER EXPRESS OR IMPLIED, REGARDING SUCH LAWS OR REGULATIONS.**

**ALL LIABILITY, INCLUDING LIABILITY FOR INFRINGEMENT OF ANY INTELLECTUAL PROPERTY RIGHTS OR FOR NONCOMPLIANCE WITH LAWS, RELATING TO USE OF THE SPECIFICATION IS EXPRESSLY DISCLAIMED. BY USE OF THE SPECIFICATION, EACH MEMBER EXPRESSLY WAIVES ANY CLAIM AGAINST *BLUETOOTH* SIG AND ITS PROMOTER MEMBERS RELATED TO USE OF THE SPECIFICATION.**

*Bluetooth* SIG reserve the right to adopt any changes or alterations to the Specification as it deems necessary or appropriate.

Copyright © 2012. *Bluetooth*® SIG, Inc. All copyrights in the *Bluetooth* Specifications themselves are owned by Ericsson AB, Lenovo (Singapore) Pte. Ltd., Intel Corporation, Microsoft Corporation, Motorola Mobility, Inc., Nokia Corporation, and Toshiba Corporation.

. \*Other third-party brands and names are the property of their respective owners.

## Document Terminology

The Bluetooth SIG has adopted Section 13.1 of the IEEE Standards Style Manual, which dictates use of the words ``shall'', ``should'', ``may'', and ``can'' in the development of documentation, as follows:

- The word *shall* is used to indicate mandatory requirements strictly to be followed in order to conform to the standard and from which no deviation is permitted (*shall* equals *is required to*).
- The use of the word *must* is deprecated and shall not be used when stating mandatory requirements; *must* is used only to describe unavoidable situations.
- The use of the word *will* is deprecated and shall not be used when stating mandatory requirements; *will* is only used in statements of fact.
- The word *should* is used to indicate that among several possibilities one is recommended as particularly suitable, without mentioning or excluding others; or that a certain course of action is preferred but not necessarily required; or that (in the negative form) a certain course of action is deprecated but not prohibited (*should* equals *is recommended that*).
- The word *may* is used to indicate a course of action permissible within the limits of the standard (*may* equals *is permitted*).
- The word *can* is used for statements of possibility and capability, whether material, physical, or causal (*can* equals *is able to*).

# Contents

---

<b>1</b>	<b>Introduction .....</b>	<b>10</b>
1.1	Scope.....	10
1.2	Profile Dependencies .....	10
1.3	Symbols and Conventions.....	11
1.3.1	Requirement Status Symbols .....	11
1.3.2	Definition .....	11
1.3.3	Conventions .....	12
1.3.4	Notation for Timers.....	12
1.4	Bluetooth AVRCP Profile Change History.....	13
1.4.1	Changes from 1.4 to 1.5 .....	13
<b>2</b>	<b>Profile Overview .....</b>	<b>14</b>
2.1	Profile Stack.....	14
2.2	Configuration and Roles .....	14
2.2.1	Roles .....	14
2.2.2	Categories.....	15
2.3	User Requirements.....	15
2.3.1	Scenarios .....	15
2.3.2	User Expectations .....	18
2.4	Profile Fundamentals.....	19
2.5	Conformance .....	19
<b>3</b>	<b>Application Layer .....</b>	<b>20</b>
3.1	Feature Support.....	20
3.2	Feature Mapping .....	21
<b>4</b>	<b>Control Interoperability Requirements .....</b>	<b>23</b>
4.1	Procedures .....	23
4.1.1	Connection establishment.....	23
4.1.2	Connection release .....	24
4.1.3	Procedure of AV/C Command .....	24
4.1.4	AV/C Command Operation .....	25
4.1.5	Procedure of AVRCP specific AV/C commands.....	26
4.1.6	Procedure of AVRCP Browsing commands .....	27
4.2	Supported Unit Commands .....	27
4.2.1	UNIT INFO Command.....	27
4.2.2	SUBUNIT INFO Command.....	27
4.3	Supported Common Unit and Subunit Commands .....	28
4.3.1	VENDOR DEPENDENT Command.....	28
4.4	Supported Subunit Command .....	28
4.4.1	PASS THROUGH Command.....	29
4.5	AVRCP specific commands.....	29
4.6	Categories .....	32
4.6.1	Support Level in TG .....	32
4.6.2	Support Level in CT .....	33
<b>5</b>	<b>Protocol Concepts .....</b>	<b>36</b>
5.1	Types of commands .....	36
5.1.1	AV/C commands .....	36
5.1.2	Browsing commands.....	36
5.2	Capabilities .....	36
5.3	Target player application settings.....	36
5.4	Metadata Attributes for Current Media Item .....	37
5.5	Event notifications from target device .....	37
5.6	Continuation.....	38
5.7	Group navigation .....	39
5.8	Absolute Volume .....	39

5.9	Media Player Selection.....	39
5.9.1	Addressed Player.....	40
5.9.2	Browsed Player.....	40
5.10	Now Playing.....	40
5.11	UID.....	40
5.11.1	UID Counter.....	40
5.12	Search.....	41
5.13	Browsing.....	41
5.13.1	Media Player List.....	41
5.13.2	Virtual Media Filesystem.....	41
5.13.3	Search.....	41
5.13.4	Now Playing.....	41
<b>6</b>	<b>Protocol Description.....</b>	<b>42</b>
6.1	Framing.....	42
6.1.1	AV/C commands.....	42
6.1.2	AVRCP specific AV/C commands.....	42
6.1.3	AVRCP specific browsing commands.....	42
6.2	Timers.....	42
6.3	Protocol Data Unit Description.....	42
6.3.1	AVRCP Specific AV/C commands.....	43
6.3.2	AVRCP Specific Browsing Commands.....	44
6.4	Capabilities PDUs.....	45
6.4.1	GetCapabilities.....	45
6.5	Player application settings PDUs.....	46
6.5.1	ListPlayerApplicationSettingAttributes.....	46
6.5.2	ListPlayerApplicationSettingValues.....	47
6.5.3	GetCurrentPlayerApplicationSettingValue.....	48
6.5.4	SetPlayerApplicationSettingValue.....	48
6.5.5	GetPlayerApplicationSettingAttributeText.....	49
6.5.6	GetPlayerApplicationSettingValueText.....	50
6.5.7	InformDisplayableCharacterSet.....	51
6.5.8	InformBatteryStatusOfCT.....	52
6.6	Media Information PDUs.....	53
6.6.1	GetElementAttributes.....	53
6.7	Notification PDUs.....	54
6.7.1	GetPlayStatus.....	54
6.7.2	RegisterNotification.....	54
6.8	Continuation PDUs.....	58
6.8.1	RequestContinuingResponse.....	58
6.8.2	AbortContinuingResponse.....	59
6.9	Media Player Selection.....	59
6.9.1	SetAddressedPlayer.....	59
6.9.2	Addressed Player Changed Notification.....	60
6.9.3	SetBrowsedPlayer.....	61
6.9.4	Available Players Changed Notification.....	63
6.9.5	Notify Now Playing Content Changed.....	64
6.10	Media Content Navigation.....	64
6.10.1	Scope.....	64
6.10.2	Browseable Items.....	66
6.10.3	UIDs.....	72
6.10.4	Browsing Commands.....	75
6.11	Search.....	79
6.11.1	Command Parameters.....	80
6.11.2	Response Parameters.....	80
6.12	Item Operation.....	80
6.12.1	PlayItem.....	80

6.12.2	AddToNowPlaying.....	81
6.13	Volume Handling .....	82
6.13.1	Absolute Volume .....	82
6.13.2	SetAbsoluteVolume.....	82
6.13.3	Notify volume change.....	83
6.14	Basic Group Navigation .....	84
6.14.1	NextGroup.....	84
6.14.2	PreviousGroup .....	84
6.15	Error handling .....	84
6.15.1	AVRCP Specific AV/C Commands .....	84
6.15.2	AVRCP Specific Browsing Commands.....	85
6.15.3	Status and Error Codes .....	85
<b>7</b>	<b>AVCTP Interoperability Requirements .....</b>	<b>88</b>
7.1	Transaction Labels .....	88
7.2	Message Fragmentation.....	88
7.3	Profile Identifier of AVCTP Message Information.....	88
<b>8</b>	<b>Service Discovery Interoperability Requirements .....</b>	<b>89</b>
<b>9</b>	<b>L2CAP Interoperability Requirements .....</b>	<b>92</b>
9.1	Channel Types .....	92
9.2	Signaling .....	92
9.3	Configuration Options .....	92
9.3.1	Flush Timeout .....	92
9.3.2	Quality of Service .....	93
9.3.3	Retransmission and Flow Control .....	93
9.3.4	Configuration of the Browsing Channel .....	93
<b>10</b>	<b>Link Manager (LM) Interoperability Requirements .....</b>	<b>95</b>
<b>11</b>	<b>Link Controller (LC) Interoperability Requirements .....</b>	<b>96</b>
11.1	Class of Device.....	96
11.2	Sniff Subrating .....	96
<b>12</b>	<b>Generic Access Profile Requirements .....</b>	<b>97</b>
12.1	Modes .....	97
12.2	Security Aspects .....	97
12.3	Idle Mode Procedures .....	97
<b>13</b>	<b>Timers and Counters .....</b>	<b>98</b>
<b>14</b>	<b>Testing.....</b>	<b>99</b>
<b>15</b>	<b>References.....</b>	<b>100</b>
<b>16</b>	<b>List of Figures .....</b>	<b>101</b>
<b>17</b>	<b>List of Tables .....</b>	<b>102</b>
<b>18</b>	<b>Acronyms and Abbreviations .....</b>	<b>104</b>
<b>19</b>	<b>Appendix A (Informative): Example of Latency .....</b>	<b>105</b>
<b>20</b>	<b>Appendix B (Informative): Example of A/V Devices .....</b>	<b>106</b>
<b>21</b>	<b>Appendix C (Informative): Multiple applications use of AVCTP .....</b>	<b>107</b>
<b>22</b>	<b>Appendix D (Informative): Example of Commands and Responses .....</b>	<b>108</b>
22.1	UNIT INFO command.....	108
22.2	SUBUNIT INFO command .....	109
22.3	PASS THROUGH command .....	110
22.4	Get Capability for Company ID.....	110
22.5	Get Capability for Events .....	112
22.6	List Application Settings Attributes .....	113
22.7	Registration for notification of Event Track changed.....	114
22.8	Get Element Attributes .....	115
22.9	Fragmentation.....	116
22.10	PASS THROUGH for Group Navigation .....	117
22.11	Set Addressed Player .....	118
22.12	Addressed Player Changed Notification.....	118
22.13	Available Players Changed Notification .....	119



Audio/Video Remote Control Profile (AVRCP)

22.14	Now Playing Content Changed Notification .....	120
22.15	UIDs Changed Notification .....	120
22.16	Set Absolute Volume .....	121
22.17	Volume Changed Notification .....	122
22.18	Set Browsed Player .....	123
22.19	Get Folder Items .....	123
22.20	ChangePath.....	127
22.21	Get Item Attributes.....	127
22.22	Search .....	129
22.23	Play Item.....	129
22.24	AddToNowPlaying .....	130
<b>23</b>	<b>Appendix E: List of Media Attributes .....</b>	<b>132</b>
<b>24</b>	<b>Appendix F: List of defined Player Application Settings and Values.....</b>	<b>133</b>
<b>25</b>	<b>Appendix H: List of defined notification events .....</b>	<b>135</b>
<b>26</b>	<b>Appendix J: List of Example MSCs of different AVRCP Specific Commands (informative).....</b>	<b>136</b>
26.1	MSC for track change event.....	136
26.2	InformDisplayableCharacterSet.....	137
26.3	RegisterNotification .....	138
26.4	RequestContinuingResponse .....	139
26.5	AbortContinuingResponse.....	139
26.6	Play Legacy CT and v1.4 TG .....	140
26.7	Power On (Media Sink) .....	141
26.8	Power On (Media Source).....	143
26.9	Usage of Multiple Media Players Discover available media players and select one .....	144
26.10	Usage of Multiple Media Players Notification Player Changed .....	144
26.11	Usage of Multiple Media Players Add Media Player .....	145
26.12	Player Removed when not Active .....	146
26.13	Remove Active Player .....	147
26.14	Play file on new media player locally on target .....	148
26.15	Play File on New Media Player from CT .....	149
26.16	Search and Play .....	150
26.17	Browse and Add to Queue .....	150
26.18	Browse and Play.....	151
26.19	Increase Volume locally on Target .....	152
26.20	Get Folder Items Truncation on Maximum MTU size.....	153
26.21	Get Item Attributes Truncation on Maximum MTU size .....	154
<b>27</b>	<b>Appendix A: AV/C .....</b>	<b>155</b>
27.1	AV/C Command and Response .....	155
27.1.1	AV/C Transaction Rules.....	155
27.1.2	AV/C Command Frame.....	155
27.1.3	AV/C Response Frame .....	156
27.1.4	AV/C Frame Fields.....	156
<b>28</b>	<b>UID scheme[informative].....</b>	<b>157</b>
28.1	Target Device (TG).....	157
28.2	Controller Device (CT).....	157

# 1 Introduction

---

## 1.1 Scope

The Audio/Video Remote Control Profile (AVRCP) defines the features and procedures required in order to ensure interoperability between Bluetooth devices with audio/video control functions in the Audio/Video distribution scenarios. This profile specifies the scope of the AV/C Digital Interface Command Set (AV/C command set, defined by the 1394 Trade Association) to be applied, and it realizes simple implementation and easy operability. This profile adopts the AV/C device model and command format for control messages, and those messages are transported by the Audio/Video Control Transport Protocol (AVCTP). Browsing functionality is provided over a second AVCTP channel, which does not use AV/C

In this profile, the controller translates the detected user action to the A/V control signal, and then transmits it to a remote Bluetooth device. The functions available for a conventional infrared remote controller can be realized in this profile. In addition to this the profile uses Bluetooth specific extensions to support transfer of metadata related to content to be transferred between Bluetooth devices. Browsing features are provided to allow a remote controller to navigate the media and control specific media players on the remote target device. The remote control described in this profile is designed specific to A/V control. Other remote control solutions using Bluetooth wireless technology may be applied for general Bluetooth devices including A/V devices.

Note that the Audio/Video Remote Control Profile does not handle the audio/video streaming. Devices that support this profile may support audio/video streaming by also implementing the Advanced Audio Distribution Profile and/or Video Distribution Profile.

## 1.2 Profile Dependencies

In [Figure 1.1](#), the structure and dependencies of the Audio/Video Remote Control Profile are depicted. A profile is dependent upon another profile if it re-uses parts of that profile, by implicitly or explicitly referencing it.

As indicated in the figure, the Audio/Video Remote Control Profile is dependent upon the Generic Access Profile. The details regarding the profile are provided in [Section 12, Generic Access Profile Requirements](#).

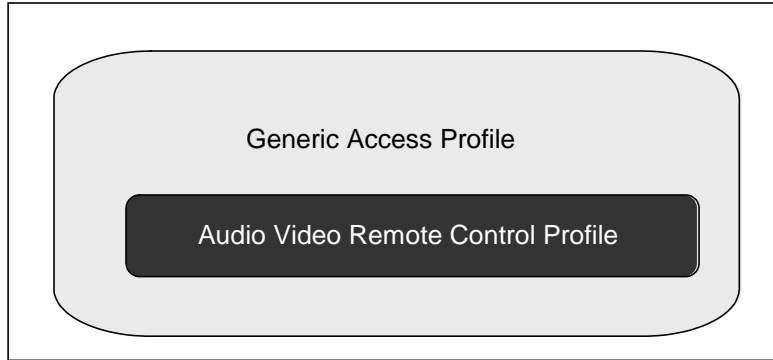


Figure 1.1: Audio/Video Remote Control Profile Dependency

## 1.3 Symbols and Conventions

### 1.3.1 Requirement Status Symbols

In this document, the following symbols are used:

'M' for mandatory to support (used for capabilities that shall be used in the profile).

'O' for optional to support (used for capabilities that may be used in the profile).

'X' for excluded (used for capabilities that may be supported by the unit but that shall never be used in the profile).

'C' for conditional to support (used for capabilities that shall be used in case a certain other capability is supported).

'N/A' for not applicable (in the given context it is impossible to use this capability).

Some excluded capabilities are the ones that, according to the relevant Bluetooth specification, are mandatory. These are features that may degrade the operation of devices following this profile. Even if such features exist, which can occur when the device supports different profiles, they should never be activated while the device is operating within this profile.

### 1.3.2 Definition

#### 1.3.2.1 RFA

Reserved for Future Additions. Bits with this designation shall be set to zero. Receivers shall ignore these bits.

#### 1.3.2.2 RFD

Reserved for Future Definition. These bit value combinations or bit values are not allowed in the current specification but may be used in future versions. The receiver shall check that unsupported bit value combination is not used.

### 1.3.3 Conventions

In this profile, protocol signals are exchanged by initiating procedures in communicating devices and by exchanging messages. Signaling diagrams use the conventions of [Figure 1.2: Signaling Conventions](#). Both A and B represent devices playing specific roles, as defined in Section 2.2, [Configuration and Roles](#). Specific arrow styles are used in the diagrams to indicate the relevant procedures initiated by the participant devices and the exchanged messages.

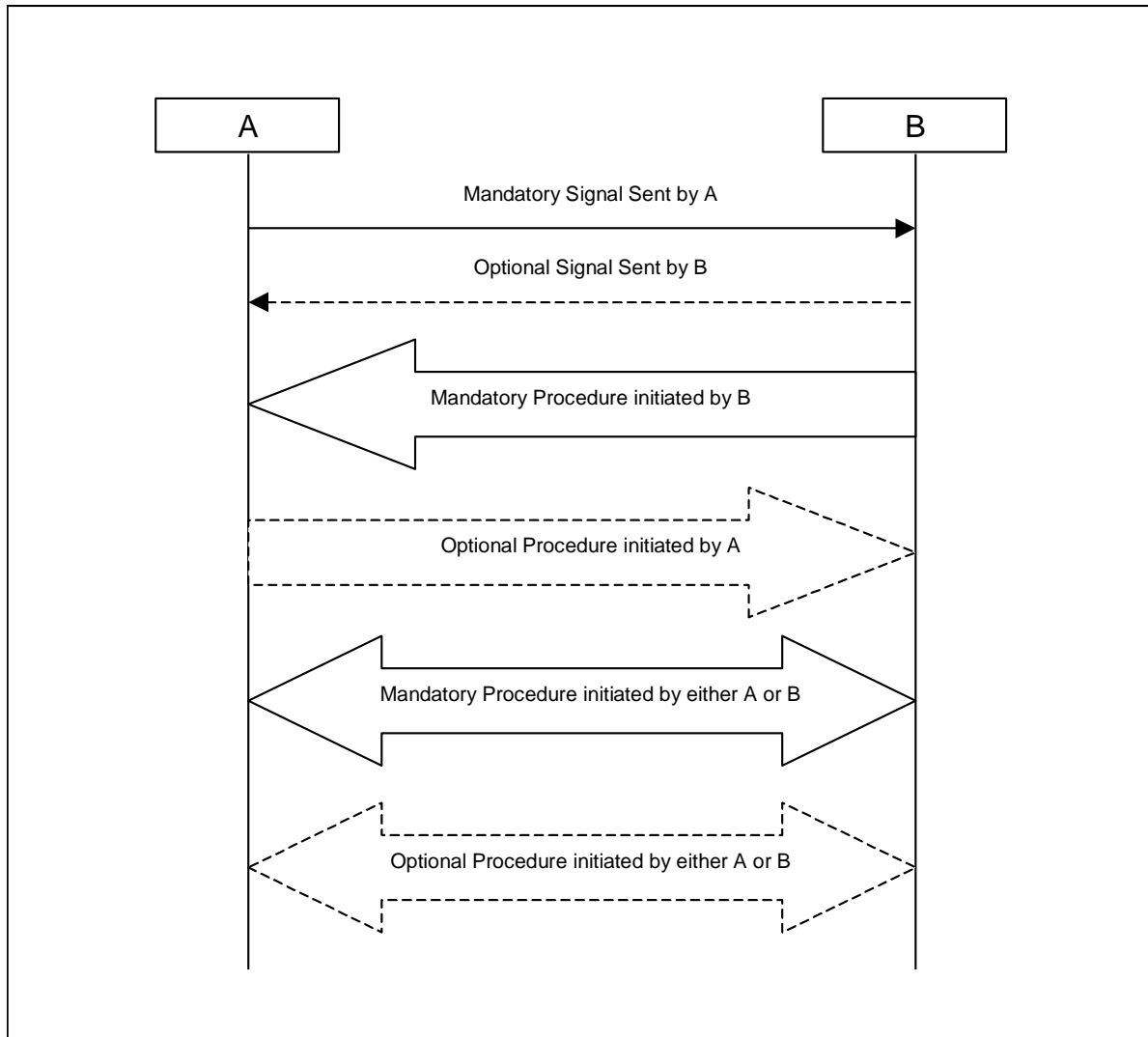


Figure 1.2: Signaling Conventions

### 1.3.4 Notation for Timers

Timer is introduced, specific to this profile. To distinguish them from timers used in the Bluetooth protocol specifications and other profiles, these timers are named in the following format:

- “ $T_{mmm}(nnn)$ ” for timers, where  $mmm$  specifies the different timers used and  $nnn$  specifies time in milliseconds.

## **1.4 Bluetooth AVRCP Profile Change History**

### **1.4.1 Changes from 1.4 to 1.5**

#### **1.4.1.1 General Changes**

- Incorporation of adopted changes to correct various errata. Relevant errata are:
- ESR04 (2549, 2685) and ESR05 (2255, 2588, 2572, 2560, 2961, 2932, 2814, 2786, 2763, 2762, 2740, 2720, 2708, 2707, 2698, 2687, 2761, 2688)

## 2 Profile Overview

### 2.1 Profile Stack

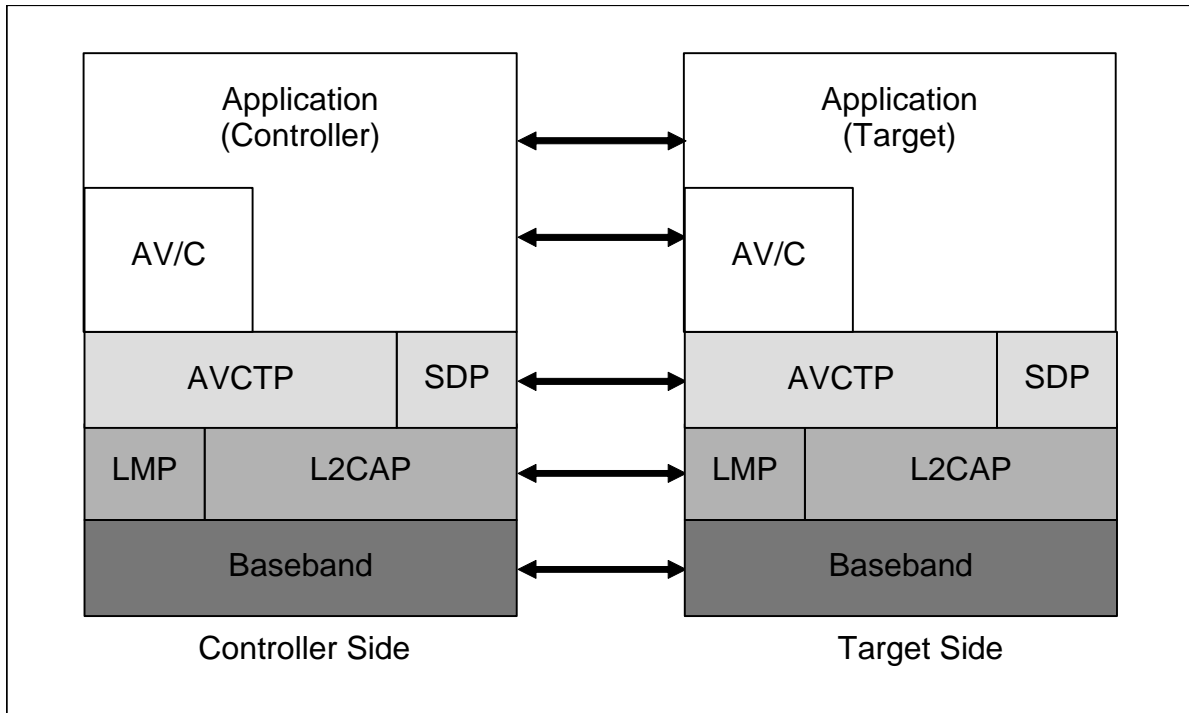


Figure 2.1: Protocol Model

The Baseband, LMP, and L2CAP are the OSI layer 1 and 2 Bluetooth protocols. AVCTP defines the procedures and messages to be exchanged for controlling A/V devices. SDP is the Bluetooth Service Discovery Protocol [10]. AV/C is the entity responsible for AV/C command-based device control signaling. The application is the AVRCP entity, exchanging control and browsing commands as defined in this specification.

### 2.2 Configuration and Roles

For the configuration examples for this profile, refer to the figures shown in Section 2.2.2.

#### 2.2.1 Roles

The following roles are defined for devices that comply with this profile:

- The controller (CT) is a device that initiates a transaction by sending a command frame to a target. Examples for CT are a personal computer, a PDA, a mobile phone, a remote controller or an AV device (such as an in car system, headphone, player/recorder, timer, tuner, monitor etc.).
- The target (TG) is a device that receives a command frame and accordingly generates a response frame. Examples for TG are an audio player/recorder, a video player/recorder, a TV, a tuner, an amplifier or a headphone.

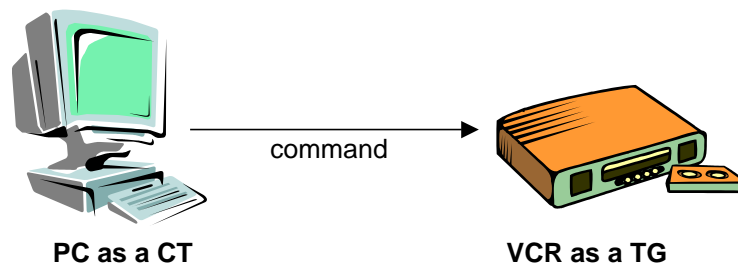


Figure 2.2: Controller and target

## 2.2.2 Categories

This profile ensures interoperability by classifying the A/V functions into four categories.

### 2.2.2.1 Category 1: Player/Recorder

Basic operations of a player or a recorder are defined, regardless of the type of media (tape, disc, solid state, etc.) or the type of contents (audio or video, etc.).

### 2.2.2.2 Category 2: Monitor/Amplifier

The category 2 is to define basic operations of a video monitor or an audio amplifier.

### 2.2.2.3 Category 3: Tuner

The category 3 defines the basic operation of a video tuner or an audio tuner.

### 2.2.2.4 Category 4: Menu

The basic operations for a menu function are defined in category 4. The method to display menu data is not specified. It may be a display panel of the device itself, or on-screen display (OSD) on an external monitor.

## 2.3 User Requirements

### 2.3.1 Scenarios

User requirements and scenarios for the configuration examples are described in this section.

The usage model of AVRCP is specific in a way that user action manipulates the control, but there is no limitation to perform the features in audio/video devices. AVRCP is capable to manipulate the menu function that is already commonly used for analogue devices for various features such as adjustment of TV brightness or hue, or VCR timer. With this menu function, AVRCP is designed so that any type of feature can be supported.

A user can learn the status information of a device using display on the body such as LED or LCD, as well as OSD (On Screen Display) method. Using functionality specified in the profile the CT may request and be updated about the state of a variety of items on the TG device.

### 2.3.1.1 Remote Control from Separate Controller

In the configuration shown in Figure 2.3 below, the remote controller is the CT of the transaction. Command frames from the remote controller are sent to the portable disc player as a TG. An audio stream is sent from the portable disc player to the headphone. The headphone simply receives the audio stream and is not involved in the transaction between the remote controller and the portable disc player. A trigger of the transaction is made by a user from the remote controller, when he/she wishes to control the portable disc player.

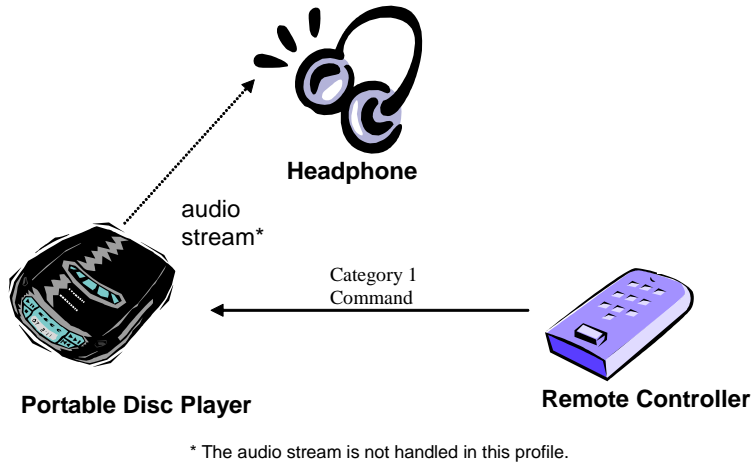


Figure 2.3: Remote Control from Separate Controller

### 2.3.1.2 Remote Control from Car Audio System

In the configuration shown below the CT is the car audio system and the mobile phone is the TG.

The user browses the available media on the cell phone via the car interface. The user may then perform actions triggering retrieval of media metadata from the phone, and perform other control operations.

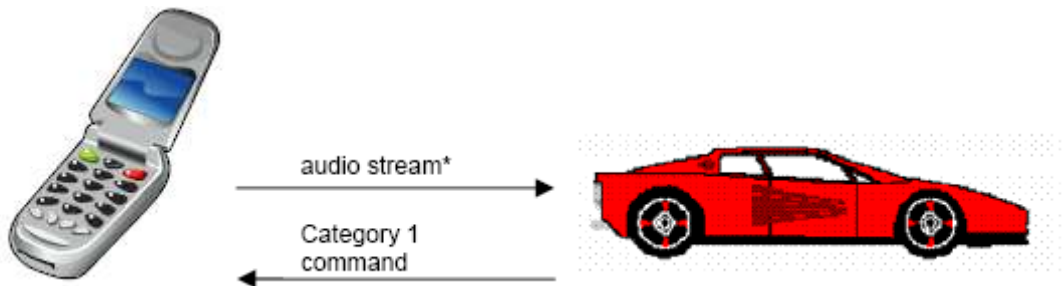


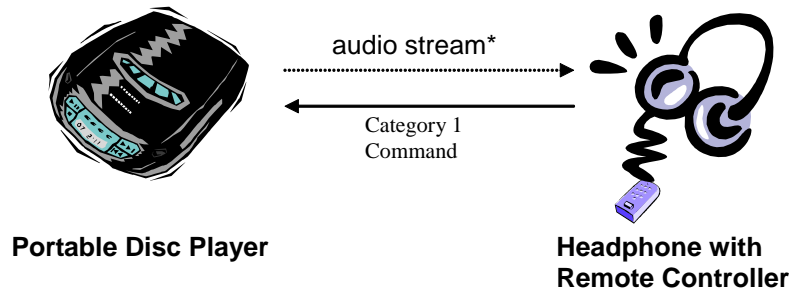
Figure 2.4: Remote Control from Car Audio System



### 2.3.1.3 Remote Control and Audio Stream between Two Devices

In the configuration shown in Figure 2.5 below, the CT is the headphone and the portable disc player is the TG.

A trigger of the transaction is made by a user from the remote controller that accompanies the headphone, when he/she wishes to control the portable disc player.



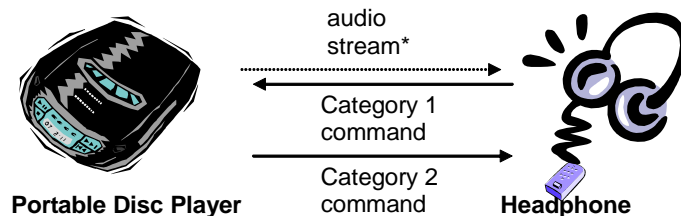
\* The audio stream is not handled in this profile.

Figure 2.5: Remote Control and Audio Stream between Two Devices

### 2.3.1.4 Mutual Remote Control within a Piconet

In the configuration shown in Figure 2.6 below, both the headphone and the portable disc player are capable of working as remote controllers.

For example, the portable disc player becomes a CT if it controls the volume of the headphone that becomes a TG. On the other hand, the headphone becomes a CT when it sends a command to start playback or stop playing to the portable disc as a TG.

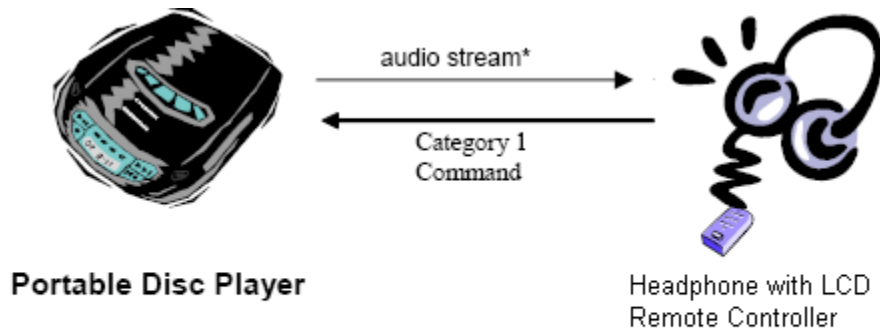


\* The audio stream is not handled in this profile.

Figure 2.6: Mutual Remote Control within a Piconet

### 2.3.1.5 Remote controller with LCD

In the configuration shown in Figure 2.7 below, the headphone with an LCD remote controller is a CT. It receives media metadata and browsing information by sending commands to the media player which is the TG. The remote controller can have an LCD to present received data to a user.



\* The audio stream is not handled in this profile.

Figure 2.7: Headphone with LCD connected to media player

### 2.3.2 User Expectations

In this section, user expectations and related restrictions of AVRCP are described.

Although a device may implement only AVRCP as shown in [Figure 2.3](#), it is assumed that, in most cases, an A/V distribution profile, for example A2DP or VDP, co-exists in a device. However, the AVRCP implementation shall not depend on the existence of an A/V distribution profile.

#### 2.3.2.1 Configuration

AVRCP is based on the control over point to point connection. For this profile, it is assumed that the use case is active between the two devices. Note that one or more CTs may exist within a piconet. (Refer to [Section 2.3.1.4](#))

A CT may support several target devices, and the detail of control such as target selection is not defined in AVRCP.

#### 2.3.2.2 Limited Latency

The responsiveness of remote control operations is an important feature of AVRCP. It is expected that the system reacts in a timely manner in order to avoid uncontrollable situations like system overload by repeated commands.

Latency figures depend on application. Additional information on the desired delay is provided in [19 Appendix A \(Informative\): Example of Latency](#).

CT and TG interoperate through L2CAP channel connections. In case the TG is a master, it is required to poll the slaves on a regular basis in order to satisfy the application QoS requirements. It is recommended that the polling rate is approximately 10 Hz.

#### 2.3.2.3 Power Management

The discussions below are intended to be for application information only: there are no mandatory usages of the low power modes for AVRCP.

It is assumed that battery powered devices are common in the usage model of AVRCP, in case that CT is a handheld device. The device is recommended to ensure comparable service grade to the existing infrared product range.

Duplex radio systems suffer from higher power consumption compared to the simple infrared transmission controller. To compensate this fundamental drawback, dynamic use of low power modes is recommended especially when only AVRCP is implemented in a device.

Regarding the details of the low power modes, refer to the Specification of the Bluetooth System, Core, Baseband [7] and Link Manager Protocol [9]. Appropriate low power mode strategy partly depends on applications.

#### **2.3.2.4 User Action**

A user action or media status change triggers most activity in AVRCP. Applications should be designed based on this characteristic. It is possible to design simple automatic operation without a user action; such as a timer function that sends a command to start recording at pre-set time, within this profile.

## **2.4 Profile Fundamentals**

The profile fundamentals, with which all applications shall comply, are the following.

1. Support for authentication and encryption is mandatory, such that the device can take part in the corresponding procedures if requested from a peer device.
2. A link shall be established before commands can be initiated or received.
3. There are no fixed master/slave roles.
4. In this profile, the A/V functions are classified into four categories defined in Section 2.2.2. All devices that conform to this profile shall support at least one category, and may support several categories.
5. Transfer Octet Order; Packets shall transfer multiple-octet fields in standard network octet order (Big Endian), with more significant (high-order) octets being transferred before less-significant (low-order) octets.

## **2.5 Conformance**

When conformance to this profile is claimed, all capabilities indicated mandatory for this profile shall be supported in the specified manner (process mandatory). This also applies to optional and conditional capabilities, for which support is indicated, and subject to verification as part of the Bluetooth certification program.

### 3 Application Layer

This section describes the feature requirements on units complying with the Audio/Video Remote Control Profile.

#### 3.1 Feature Support

The table below shows the features requirements for this profile. Note that a device may have both CT and TG capabilities. In that case, features for both CT and TG are required.

	Feature	Support in CT	Support in TG
1	Connection establishment for control	M	O
2	Release connection for control	M	M
3	Connection establishment for browsing	C6	C7
4	Release connection for browsing	C6	C6
5	AV/C Info commands	O	M
6.	Category 1: Player/Recorder	C3	C3
7.	Category 2: Monitor/Amplifier	C3	C3
8	Category 3: Tuner	C3	C3
9.	Category 4: Menu	C3	C3
10	Capabilities	O	C1
11	Player Application Settings	O	O
12	Metadata Attributes for Current Media Item	O	C1
13.	Notifications	C2	C2
14.	Continuation	C2	C2
15.	Basic Group Navigation	O	O
16	Absolute Volume	C4	C4
17	Media Player Selection	O	C5
17.1	- Supports Multiple Players	O	O
18	Browsing	O	O
18.1	- Database Aware Players	O	O
19	Search	O	O
20	Now Playing	C6	C6
20.1	- Playable Folders	O	O
21	Error Response	X	C8
22	PASSTHROUGH operation supporting press and hold	O	O

Table 3.1: Application Layer Features

- C1 – Mandatory if Target supports Category 1 or optional otherwise
- C2 – Mandatory if device supports Metadata Attributes for Current Media Item or optional otherwise
- C3 – Mandatory to support at least one Category
- C4 – Mandatory if Category 2 supported, excluded otherwise
- C5 – Mandatory if Target supports Category 1 or Category 3 or optional otherwise
- C6 – Mandatory if Browsing (item 18) is supported, optional otherwise
- C7 – Optional if Browsing (item 18) is supported, excluded otherwise
- C8 – Mandatory if any of items 10 – 20.1 are supported, excluded otherwise
- X - Excluded

Features 3.1-10 to 3.1-15 shall be as a whole termed as AVRCP Specific AV/C commands in this document.

Features 3.1-16 to 3.1-21 shall be as a whole termed as AVRCP Specific Browsing commands in this document.

### 3.2 Feature Mapping

The table below maps each feature to the procedures used for that feature. All procedures are mandatory if the feature is supported.

1.	Connection establishment for control	Connection establishment	4.1.1
2.	Connection release for control	Connection release	4.1.2
3.	Connection establishment for browsing	Connection establishment	4.1.1
4.	Connection release for browsing	Connection release	4.1.2
5.	AV/C INFO command	Procedure of AV/C command	4.1.3
6.	Category 1: Player/Recorder	Procedure of AV/C command	4.1.3
7.	Category 2: Monitor/Amplifier	Procedure of AV/C command	4.1.3
8.	Category 3: Tuner	Procedure of AV/C command	4.1.3
9.	Category 4: Menu	Procedure of AV/C command	4.1.3
10.	Capabilities	Procedure of AVRCP Specific AV/C commands	4.1.5
11.	Player Application Settings	Procedure of AVRCP Specific AV/C commands	4.1.5
12.	Metadata Attributes for Current Media Item	Procedure of AVRCP Specific AV/C commands	4.1.5
13.	Notifications	Procedure of AVRCP Specific AV/C commands	4.1.5
14.	Continuation	Procedure of AVRCP Specific AV/C commands	4.1.5
15.	Basic Group Navigation	Procedure of AVRCP Specific AV/C commands	4.1.5
16.	Absolute Volume	Procedure of AVRCP Specific AV/C commands	4.1.5
17.	Media Player Selection	Procedure of AVRCP Specific AV/C commands Procedure of AVRCP Specific Browsing commands	4.1.5 4.1.6
17.1.	- Supports Multiple Players	Procedure of AVRCP Specific AV/C commands Procedure of AVRCP Specific Browsing commands	4.1.5 4.1.6
18.	Browsing	Procedure of AVRCP Specific AV/C commands Procedure of AVRCP Specific Browsing commands	4.1.5 4.1.6
18.1.	- Database Aware Players	Procedure of AVRCP Specific AV/C commands Procedure of AVRCP Specific Browsing commands	4.1.5 4.1.6

*Audio/Video Remote Control Profile (AVRCP)*

19.	Search	Procedure of AVRCP Specific AV/C commands Procedure of AVRCP Specific Browsing commands	<a href="#">4.1.5</a> <a href="#">4.1.6</a>
20.	Now Playing	Procedure of AVRCP Specific AV/C commands Procedure of AVRCP Specific Browsing commands	<a href="#">4.1.5</a> <a href="#">4.1.6</a>
20.1.	- Playable Folders	Procedure of AVRCP Specific AV/C commands Procedure of AVRCP Specific Browsing commands	<a href="#">4.1.5</a> <a href="#">4.1.6</a>
21.	Error Response	Procedure of AVRCP Specific AV/C commands Procedure of AVRCP Specific Browsing commands	<a href="#">4.1.5</a> <a href="#">4.1.6</a>
22.	PASSTHROUGH operation supporting press and hold	Procedure of AV/C command	<a href="#">4.1.3</a> , <a href="#">4.4.1</a>

*Table 3.2: Application Layer Feature to Procedure Mapping*

The general procedure of AVRCP Specific AV/C commands is described in Section [4.1.5](#). The general procedure of AVRCP Specific Browsing commands is described in Section [4.1.6](#).

## 4 Control Interoperability Requirements

The interoperability requirements for an entity that is compatible with the AVRCP are completely contained in this chapter. The requirements directly relate to the application layer features.

### 4.1 Procedures

#### 4.1.1 Connection establishment

An L2CAP connection establishment for AVCTP control may be initiated by the CT or by the TG. An internal event or an event generated by a user, such as turning the power on, initiates the connection establishment.

If a browsing channel is supported by both devices it shall be established after control channel establishment. It is recommended that the browsing channel is established immediately after the control channel is established and released immediately before the control channel is released to avoid unsatisfactory latency when a browsing command is sent. However, as some use cases involve very occasional use of browsing functionality devices for which this applies may wish to open the browsing channel on demand to minimize resource usage. The browsing channel shall be configured to use L2CAP Enhanced Retransmission Mode.

If both devices open an AVCTP channel at the same time both channels shall be closed and each device shall wait a random time (not more than 1 s and not less than 100ms) and then try to open the AVCTP channel again. If it is known which device is the master that device can re-try at once.

Note: Only one L2CAP connection for control and one L2CAP connection for browsing (if supported by both devices) shall be established between AVCTP entities. If the connection(s) already exist(s), the CT/TG shall not initiate the connection request.

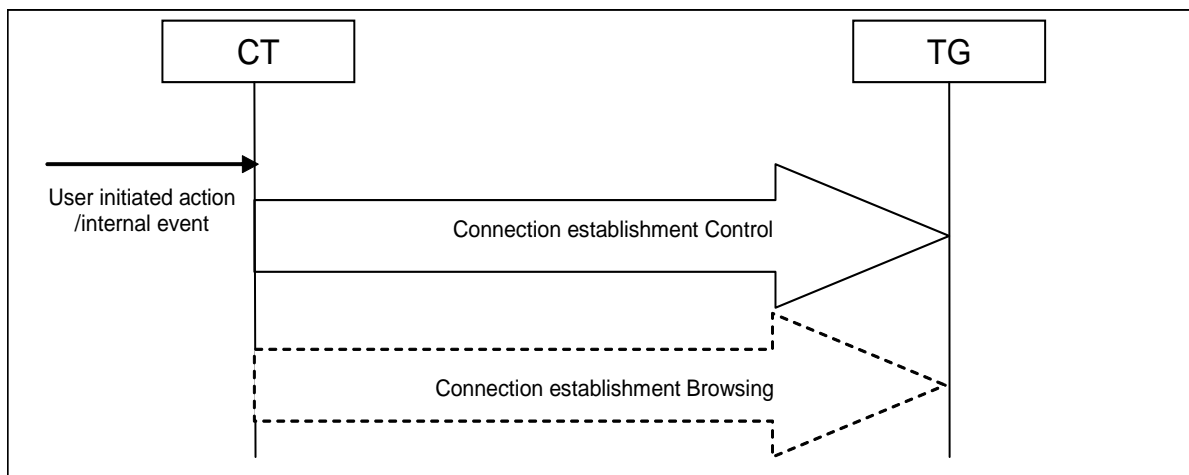


Figure 4.1: Connection Establishment Initiated by CT

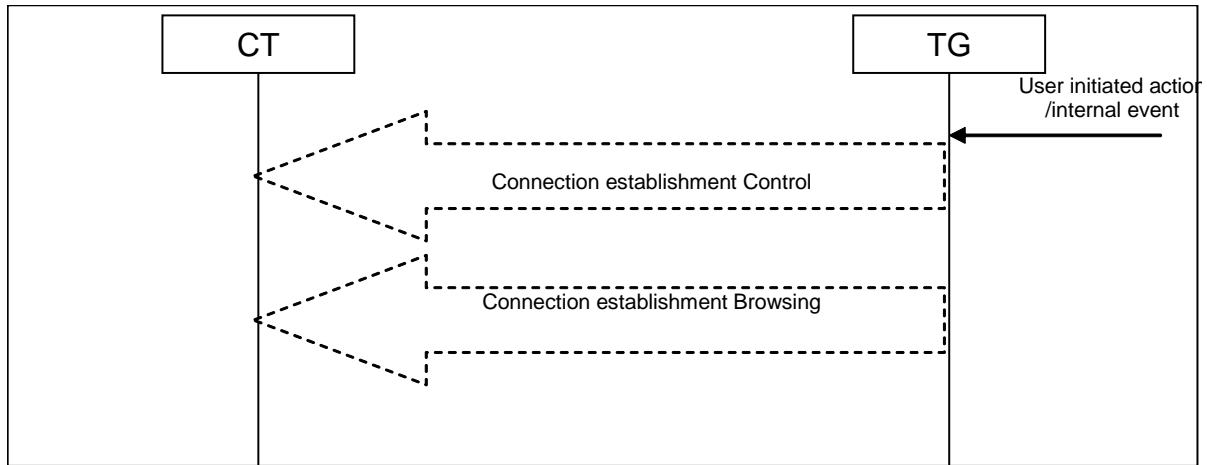


Figure 4.2: Connection Establishment Initiated by TG

### 4.1.2 Connection release

Release of an L2CAP connection for AVCTP may be initiated by the CT or by the TG. An internal event or an event generated by a user, such as turning the power off, initiates the connection release.

If a browsing channel is present it shall be released before the control channel. If the browsing channel has been released it may be re-established if required as long as the control channel is still present.

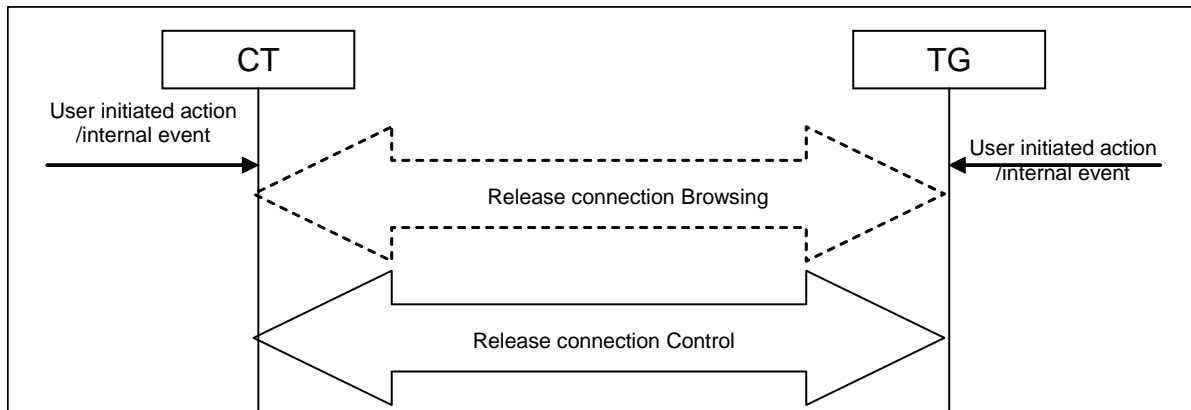


Figure 4.3: Connection Release Initiated by CT or TG

### 4.1.3 Procedure of AV/C Command

Upon an internal or an event generated by a user, the CT shall initiate connection establishment if a connection has not been established by then. Once the connection is established it can send an AV/C command.



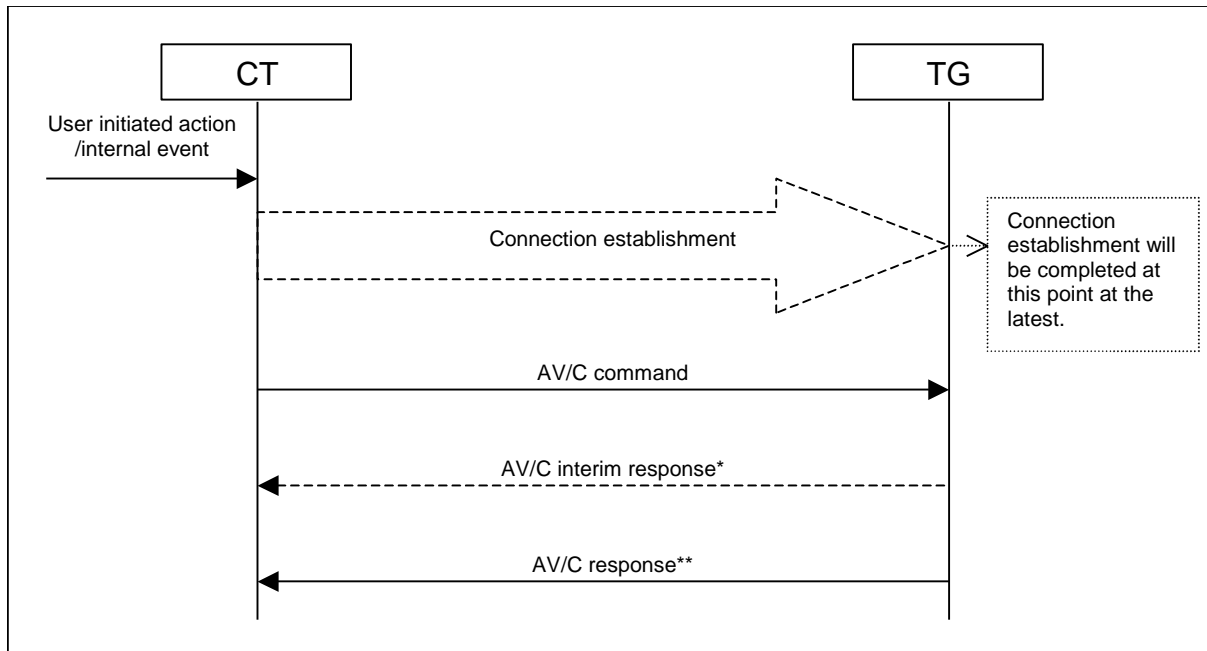


Figure 4.4: Procedure of AV/C Command

\*: AV/C interim response may be returned in response to a VENDOR DEPENDENT command. AV/C interim response shall not be returned for other commands.

\*\* : In some exceptional cases, the TG may not return a response. For details, refer to the AV/C General Specification.

The following table shows the list of possible AV/C commands to be exchanged in this profile:

	Command	CT	TG
1.	UNIT INFO	O	M
2.	SUBUNIT INFO	O	M
3.	VENDOR DEPENDENT	C	C
4.	PASS THROUGH	M	M

Table 4.1: List of Possible AV/C Commands

C: Mandatory if any of 3.1-10 to 3.1-15 is supported optional otherwise

Requirements for CT refer to the ability to send a command.

Requirements for TG refer to the ability to respond to a command.

#### 4.1.4 AV/C Command Operation

This section describes the operation procedure of AV/C command exchange shown in Figure 4.4 with example. For more information of the AV/C unit/subunit model and AV/C command operation refer to AV/C General Specification [1] and AV/C Panel Subunit Specification [2]. Version 4.1 in [1] is backwards compatible with version 4.0 in [1] so either version can be used.

The AV/C General Specification covers the AV/C general command and response model, unit/subunit model, and standard unit and subunit commands. An AV/C subunit is an instantiation of a logical entity that is identified within an AV/C unit. An AV/C

subunit has a set of coherent functions that the electronic device provides. Functions are defined for each category of devices in its subunit specification. (Monitor, Audio, Tape recorder/player, Disc, Tuner, etc.).

The AV/C command set consists of the AV/C General Specification and each subunit command. In the AV/C General Specification, the UNIT INFO command and SUBUNIT INFO command are both mandatory. For subunit commands, the mandatory commands are defined in each subunit specification, and it depends on the device implementation which subunit to support.

The UNIT INFO command is used to obtain information that pertains to the AV/C unit as a whole. The response frame includes information of the vendor ID of the TG and subunit type that best describes the unit. The information of vendor ID may be used to investigate the vendor of TG before using VENDOR DEPENDENT command. For example of subunit type, a VCR device may return the *unit\_type* of the tape recorder/player, even though the VCR has a tuner. In this profile, the panel subunit is the main function. It is also possible that other subunits may be returned if other profiles co-exist in the device.

The SUBUNIT INFO command is used to obtain information about the subunit(s) of an AV/C unit. A device with this profile may support other subunits than the panel subunit if other profiles co-exist in the device, which can be found with the SUBUNIT INFO command. With this command, a typical AV/C controller manipulates AV/C function discovery.

The VENDOR DEPENDENT command permits module vendors to specify their own set of commands and responses for AV/C units or subunits determined by the AV/C address that is contained in the AV/C frame. The vendor dependent commands are used by this specification. Please refer to Section 4.1.5.

One feature of this profile is the remote control performed by the PASS THROUGH command of the Panel subunit. The Panel subunit provides a user-centric model for actuating the controls on a device. The CT controls the Panel subunit according to the user operation using certain CT-dependent manners. The user manipulates the user interface on the display or operates a button, and then the CT sends commands to the panel subunit. In response to these commands, the Panel subunit performs some action(s). Even though there may be several subunits in a TG, the TG shall have only one panel subunit. Unlike many other AV/C subunits, the panel subunit does not directly deal with media streams itself. The main purpose for using a panel subunit is to allow it to translate the incoming user action commands into internal actions, which affect other subunits and/or the unit, and dispatch them to an appropriate subunit or unit inside the TG using the TG-dependent manner. The result of these actions may have an effect on media streams. This profile uses the PASS THROUGH command, which is one of the subunit commands defined in the Panel Subunit Specification. A CT conveys a user operation to a TG by the PASS THROUGH command.

#### **4.1.5 Procedure of AVRCP specific AV/C commands**

The procedure of AVRCP specific AV/C commands is an extension of the AV/C Digital Interface Command Set General Specification specified by 1394 Trade Association. It

enables more sophisticated control functionality as well as the handling of metadata such as song and artist information.

The extension is implemented by defining VENDOR DEPENDENT and PASS THROUGH commands within the framework of the 1394 specifications. A vendor ID for the Bluetooth SIG is used to differentiate from real vendor specific commands.

#### 4.1.6 Procedure of AVRCP Browsing commands

The procedure of AVRCP Browsing commands defines commands to be used directly over AVCTP. AV/C is not used. The AVCTP Browsing Channel shall not use fragmentation. These commands enable the CT to navigate the media on the TG device, then perform operations on a specific media item.

## 4.2 Supported Unit Commands

The unit commands shown in the following table are used in this profile. For unit commands, the AV/C address field of AV/C command frame shall indicate the value for unit.

Opcode	Support in CT			Support in TG			Comments
	CONTROL	STATUS	NOTIFY	CONTROL	STATUS	NOTIFY	
UNIT INFO	N/A	O	N/A	N/A	M*	N/A	Reports unit information
SUBUNIT INFO	N/A	O	N/A	N/A	M*	N/A	Reports subunit information

Table 4.2: Supported Unit Commands

\*: These commands shall be supported in AV/C-compliant devices to maintain the compatibility with the existing AV/C implementations.

### 4.2.1 UNIT INFO Command

As defined in the AV/C General Specification, the UNIT INFO status command is used to obtain information that pertains to the unit as a whole. For details of the UNIT INFO command, refer to the AV/C General Specification [1].

In the *unit\_type* field of a response frame, a code for a subunit type that represents the main function of the unit shall be shown. If the unit implements only this profile, it shall return the PANEL subunit in the response frame.

In the *company\_ID* field of a UNIT INFO response frame, the 24-bit unique ID obtained from the IEEE Registration Authority Committee shall be inserted. If the vendor of a TG device does not have the unique ID above, the value 0xFFFFFFFF may be used.

### 4.2.2 SUBUNIT INFO Command

As defined in the AV/C General Specification, the SUBUNIT INFO status command is used to obtain information about the subunit(s) of a unit. For details of the SUBUNIT INFO command, refer to the AV/C General Specification [1].

If the unit implements this profile, it shall return PANEL subunit in the *subunit\_type* field, and value 0 in the *max\_subunit\_ID* field in the response frame.

### 4.3 Supported Common Unit and Subunit Commands

The common unit and subunit commands shown in the following table are used in this profile. For the common unit and subunit command, the *AV/C address* field of the AV/C command frame shall indicate the value for unit or Panel Subunit if the command is one defined in this profile.

#### 4.3.1 VENDOR DEPENDENT Command

The formats of a command frame or a response frame, as well as the compliant usage rules, are as defined in the AV/C General Specification [1].

Opcode	Support in CT			Support in TG			Comments
	CONTROL	STATUS	NOTIFY	CONTROL	STATUS	NOTIFY	
VENDOR DEPENDENT	C	C	C	C	C	C	Vendor-dependent commands

Table 4.3: Vendor Dependent Commands

C: M if any AVRCP specific AV/C command is supported, O otherwise

For AVRCP specific AV/C command support, a predefined VENDOR DEPENDENT command is used. The *company\_ID* field of the VENDOR DEPENDENT command shall contain a 24-bit unique ID [0x001958]. This unique *Company\_ID* field shall be used by all AVRCP specific AV/C PDUs. It is assumed that devices that do not support this metadata transfer related features shall return a response of NOT IMPLEMENTED as per AV/C protocol specification [1].

For AVRCP specific AV/C VENDOR DEPENDENT command support, refer to Section 6.3.1.

The VENDOR DEPENDENT commands other than those defined as AVRCP specific AV/C commands shall not be used instead of commands specified in the AVRCP that have the same functionality.

### 4.4 Supported Subunit Command

The PASS THROUGH command of the Panel subunit is used in this profile. The *operation\_id's* to be used in this profile depend on which A/V function category the device supports. The details of categories are described in Section 4.6 Categories.

For the PASS THROUGH command, the *AV/C address* field of the AV/C command frame shall indicate the value for Panel Subunit.

Opcode	Support in CT			Support in TG			Comments
	CONTROL	STATUS	NOTIFY	CONTROL	STATUS	NOTIFY	
PASS THROUGH	M*	N/A	N/A	M*	N/A	N/A	Used to transfer user operation information from CT to Panel subunit of TG.

Table 4.4: PASS THROUGH Command

M\*: Mandatory to support the opcode for PASS THROUGH command. See Section 4.6 for support levels of each *operation\_id's*

#### **4.4.1 PASS THROUGH Command**

As defined in the AV/C Panel Subunit Specification [2], the PASS THROUGH command is used to transfer user operation information from a CT to Panel subunit on TG. For the details of the PASS THROUGH command, refer to the AV/C Panel Subunit Specification [2].

Attention is particularly drawn to the `state_flag` which shall be used to convey button press and release and the timing requirements for button press and release. This facility is required to convey the concept of holding down a button for a period of time. This is described in the AV/C Panel Subunit Specification Section 9.4 [2].

There are AVRCP specific vendor unique PASS THROUGH commands to handle group navigation capability.

#### **4.5 AVRCP specific commands**

The following table contains AVRCP specific commands. The command type column specifies the type of the commands. The commands fall into two sets – AV/C VENDOR DEPENDENT commands with a command type that is the AV/C CType and browsing commands. AV/C commands shall be sent on the AVCTP control channel. Browsing commands shall be sent on the AVCTP browsing channel.

## Audio/Video Remote Control Profile (AVRCP)

PDU ID	PDU Name	Command Type	CT	TG	TG Max Response Time	Section
	<b>Capabilities</b>					<b>6.4</b>
0x10	GetCapabilities	AV/C STATUS	M	M	T <sub>MTP</sub>	6.4.1
	<b>Player Application Settings</b>					<b>6.5</b>
0x11	ListPlayerApplicationSettingAttributes	AV/C STATUS	M	M	T <sub>MTP</sub>	6.5.1
0x12	ListPlayerApplicationSettingValues	AV/C STATUS	O	M	T <sub>MTP</sub>	6.5.2
0x13	GetCurrentPlayerApplicationSettingValue	AV/C STATUS	C2	M	T <sub>MTP</sub>	6.5.3
0x14	SetPlayerApplicationSettingValue	AV/C CONTROL	C2	M	T <sub>MTC</sub>	6.5.4
0x15	GetPlayerApplicationSettingAttributeText	AV/C STATUS	O	C1	T <sub>MTP</sub>	6.5.5
0x16	GetPlayerApplicationSettingValueText	AV/C STATUS	O	C1	T <sub>MTP</sub>	6.5.6
0x17	InformDisplayableCharacterSet	AV/C CONTROL	O	O	T <sub>MTC</sub>	6.5.7
0x18	InformBatteryStatusOfCT	AV/C CONTROL	O	O	T <sub>MTC</sub>	6.5.8
	<b>Metadata Attributes for Current Media Item</b>					<b>6.6</b>
0x20	GetElementAttributes	AV/C STATUS	M	M	T <sub>MTP</sub>	6.6.1
	<b>Notifications</b>					<b>6.7</b>
0x30	GetPlayStatus	AV/C STATUS	O	M	T <sub>MTP</sub>	6.7.1
0x31	RegisterNotification	AV/C NOTIFY	M	M	T <sub>MTP</sub>	6.7.2
0x31	EVENT_PLAYBACK_STATUS_CHANGED	AV/C NOTIFY	M	M	T <sub>MTP</sub>	6.7.2
0x31	EVENT_TRACK_CHANGED	AV/C NOTIFY	M	M	T <sub>MTP</sub>	6.7.2
0x31	EVENT_TRACK_REACHED_END	AV/C NOTIFY	O	O	T <sub>MTP</sub>	6.7.2
0x31	EVENT_TRACK_REACHED_START	AV/C NOTIFY	O	O	T <sub>MTP</sub>	6.7.2
0x31	EVENT_PLAYBACK_POS_CHANGED	AV/C NOTIFY	O	O	T <sub>MTP</sub>	6.7.2
0x31	EVENT_BATT_STATUS_CHANGED	AV/C NOTIFY	O	O	T <sub>MTP</sub>	6.7.2
0x31	EVENT_SYSTEM_STATUS_CHANGED	AV/C NOTIFY	O	O	T <sub>MTP</sub>	6.7.2
0x31	EVENT_PLAYER_APPLICATION_SETTING_CHANGED	AV/C NOTIFY	O	O	T <sub>MTP</sub>	6.7.2
	<b>Continuation</b>					<b>6.8</b>
0x40	RequestContinuingResponse	AV/C CONTROL	M	M	T <sub>MTC</sub>	6.8.1
0x41	AbortContinuingResponse	AV/C CONTROL	M	M	T <sub>MTC</sub>	6.8.2
	<b>Absolute Volume</b>					<b>6.13</b>
0x50	SetAbsoluteVolume	AV/C CONTROL	C3	C3	T <sub>MTC</sub>	6.13.2
0x31	EVENT_VOLUME_CHANGED	AV/C NOTIFY	C3	C3	T <sub>MTP</sub>	6.13.3
	<b>MediaPlayerSelection</b>					<b>6.9</b>
0x60	SetAddressedPlayer	AV/C CONTROL	O	C6	T <sub>MTC</sub>	6.9.1
0x71	GetFolderItems(MediaPlayerList)	Browsing	C5	C6		6.10.4.2 6.10.2.1
0x31	EVENT_ADDRESSED_PLAYER_CHANGED	AV/C NOTIFY	O	C6	T <sub>MTP</sub>	6.9.2
0x31	EVENT_AVAILABLE_PLAYERS_CHANGED	AV/C NOTIFY	O	C6	T <sub>MTP</sub>	6.9.4
	<b>Browsing</b>					<b>6.10</b>
0x70	SetBrowsedPlayer	Browsing	C4	C4		6.9.3
0x71	GetFolderItems(Filesystem)	Browsing	C4	C4		6.10.4.2
0x72	ChangePath	Browsing	C4	C4		6.10.4.1
0x73	GetItemAttributes	Browsing	O	C4		0

PDU ID	PDU Name	Command Type	CT	TG	TG Max Response Time	Section
0x74	PlayItem(Filesystem)	AV/C CONTROL	C4	C4	T <sub>MTC</sub>	<a href="#">6.12.1</a>
0x31	EVENT_UIDS_CHANGED	AV/C NOTIFY	O	C7	T <sub>MTP</sub>	<a href="#">6.10.3.3</a>
	<b>Search</b>					<a href="#">6.11</a>
0x80	Search	Browsing	C8	C8		<a href="#">6.11</a>
0x71	GetFolderItems(SearchResultList)	Browsing	C8	C8		<a href="#">6.10.4.2</a>
0x74	PlayItem(SearchResultList)	AV/C CONTROL	C8	C8	T <sub>MTC</sub>	<a href="#">6.12.1</a>
	<b>NowPlaying</b>					
0x71	GetFolderItems(NowPlayingList)	Browsing	C9	C9		<a href="#">6.10.4.2</a>
0x74	PlayItem(NowPlayingList)	AV/C CONTROL	C9	C9	T <sub>MTC</sub>	<a href="#">6.12.1</a>
0x90	AddToNowPlaying	AV/C CONTROL	O	O	T <sub>MTC</sub>	<a href="#">6.12.2</a>
0x31	EVENT_NOW_PLAYING_CONTENT_CHANGED	AV/C NOTIFY	O	C9	T <sub>MTP</sub>	<a href="#">6.9.5</a>
	<b>Error Response</b>					<a href="#">6.15</a>
0xa0	General Reject	Browsing	X	C9		<a href="#">6.15.2.1</a>

Table 4.5: AVRCP Specific operations

- C1 If player application setting attribute IDs for menu extension (Refer to Appendix F) are supported then mandatory or optional otherwise.
- C2 Either Get or Set player application settings shall be mandatory
- C3 Mandatory for Category 2, Excluded otherwise
- C4 Mandatory if Browsing is supported, Excluded otherwise
- C5 Mandatory if Media Player Selection is supported, Excluded otherwise
- C6 Mandatory if Category 1 or 3 is supported, Excluded otherwise
- C7 Mandatory if Database Aware Players, [Table 3.1](#) Item 18.1, are supported, Optional otherwise.
- C8 Mandatory if Search is supported, Excluded otherwise
- C9 Mandatory if Browsing is supported, Optional otherwise.

Requirements for CT refer to the ability to send a command.

Requirements for TG refer to the ability to respond to a command. For AV/C commands the AV/C command type of the response PDU shall be per the AV/C specification’s definitions for responses.

For error response PDU the response parameter is always the error code independent of the response format defined for ACCEPTED PDU response for the corresponding PDU command.

All strings passed in AVRCP specific command PDUs are not null terminated.

AVRCP adds the following operations that shall be used with PASS THROUGH command:

Item	Vendor Unique Operation ID	Operation Name	AV/C Command Type	CT	TG	Section
1		Basic Group Navigation				<a href="#">6.9</a>
2.	0x0000	Next Group	CONTROL	M	M	<a href="#">6.14.1</a>
3.	0x0001	Previous Group	CONTROL	M	M	<a href="#">6.14.2</a>

Table 4.6: AVRCP Specific Vendor Unique PASS THROUGH command



These PASS THROUGH commands shall use Bluetooth SIG registered CompanyId as the opcode with the defined vendor unique operation Id with the PANEL subunit-type. Refer to Section 22.10 for packet structure of command and response.

Requirements for CT refer to the ability to send a command.

Requirements for TG refer to the ability to respond to a command.

## 4.6 Categories

For each category, the mandatory commands for the TG are defined by the *operation\_ids* in the PASS THROUGH command. It is mandatory for the TG to support at least one of the categories.

### 4.6.1 Support Level in TG

The table below is the *operation\_ids* and their support level in TG for each category.

“C1” in the table below means that the command is mandatory if the TG supports Category 1. In the same manner, “C2” means mandatory in Category 2, “C3” in Category 3, and “C4” in Category 4.

operation_id	Category 1: Player/Recorder	Category 2: Monitor/Amplifier	Category 3: Tuner	Category 4: Menu
select	X	X	X	C4
up	X	X	X	C4
down	X	X	X	C4
left	X	X	X	C4
right	X	X	X	C4
right-up	X	X	X	O
right-down	X	X	X	O
left-up	X	X	X	O
left-down	X	X	X	O
root menu	X	X	X	C4
setup menu	X	X	X	O
contents menu	X	X	X	O
favorite menu	X	X	X	O
exit	X	X	X	O
0	O	O	O	O
1	O	O	O	O
2	O	O	O	O
3	O	O	O	O
4	O	O	O	O
5	O	O	O	O
6	O	O	O	O
7	O	O	O	O
8	O	O	O	O
9	O	O	O	O
dot	O	O	O	O
enter	O	O	O	O
clear	O	O	O	O
channel up	X	X	C3	X
channel down	X	X	C3	X
previous channel	X	X	O	X



operation_id	Category 1: Player/Recorder	Category 2: Monitor/Amplifier	Category 3: Tuner	Category 4: Menu
sound select	O	O	O	X
input select	O	O	O	X
display information	O	O	O	O
help	O	O	O	O
page up	X	X	X	O
page down	X	X	X	O
power	O	O	O	O
volume up	X	C2	X	X
volume down	X	C2	X	X
mute	X	O	X	X
play	C1	X	X	X
stop	C1	X	X	X
pause	O	X	X	X
record	O	X	X	X
rewind	O	X	X	X
fast forward	O	X	X	X
eject	O	X	X	X
Forward	O	X	X	X
Backward	O	X	X	X
Angle	O	X	O	X
Subpicture	O	X	O	X
F1	O	O	O	O
F2	O	O	O	O
F3	O	O	O	O
F4	O	O	O	O
F5	O	O	O	O
vendor unique*	O	O	O	O

Table 4.7: Support Levels of operation\_id in TG

\*: The vendor-unique operation\_id shall not be used instead of operation\_id specified in the PASS THROUGH command that has the same functionality.

### 4.6.2 Support Level in CT

No mandatory command for the CT is defined by the operation\_ids in the PASS THROUGH command. However, it is mandatory in CT to support at least one of the operation\_ids for each supported category. The category for CT indicates that the CT expects to control a TG supporting the corresponding category. It is mandatory for CT to support at least one of the categories. The table below is the operation\_ids and their support level in CT for each category.

“C1” in the table below means that it is mandatory to support at least one of these operation\_ids if the CT supports Category 1. In the same manner, “C2” in Category 2, “C3” in Category 3, and “C4” in Category 4.

operation_id	Category 1: Player/Recorder	Category 2: Monitor/Amplifier	Category 3: Tuner	Category 4: Menu
select	X	X	X	C4
up	X	X	X	C4
down	X	X	X	C4
left	X	X	X	C4

## Audio/Video Remote Control Profile (AVRCP)

operation_id	Category 1: Player/Recorder	Category 2: Monitor/Amplifier	Category 3: Tuner	Category 4: Menu
right	X	X	X	C4
right-up	X	X	X	C4
right-down	X	X	X	C4
left-up	X	X	X	C4
left-down	X	X	X	C4
root menu	X	X	X	C4
setup menu	X	X	X	C4
contents menu	X	X	X	C4
favorite menu	X	X	X	C4
exit	X	X	X	C4
0	C1	C2	C3	C4
1	C1	C2	C3	C4
2	C1	C2	C3	C4
3	C1	C2	C3	C4
4	C1	C2	C3	C4
5	C1	C2	C3	C4
6	C1	C2	C3	C4
7	C1	C2	C3	C4
8	C1	C2	C3	C4
9	C1	C2	C3	C4
dot	C1	C2	C3	C4
enter	C1	C2	C3	C4
clear	C1	C2	C3	C4
channel up	X	X	C3	X
channel down	X	X	C3	X
previous channel	X	X	C3	X
sound select	C1	C2	C3	X
input select	C1	C2	C3	X
display information	C1	C2	C3	C4
help	C1	C2	C3	C4
page up	X	X	X	C4
page down	X	X	X	C4
power	C1	C2	C3	C4
volume up	X	C2	X	X
volume down	X	C2	X	X
mute	X	C2	X	X
play	C1	X	X	X
stop	C1	X	X	X
pause	C1	X	X	X
record	C1	X	X	X
rewind	C1	X	X	X
fast forward	C1	X	X	X
Eject	C1	X	X	X
Forward	C1	X	X	X
backward	C1	X	X	X
Angle	C1	X	C3	X
subpicture	C1	X	C3	X
F1	C1	C2	C3	C4
F2	C1	C2	C3	C4
F3	C1	C2	C3	C4
F4	C1	C2	C3	C4

---

*Audio/Video Remote Control Profile (AVRCP)*

<b>operation_id</b>	<b>Category 1: Player/Recorder</b>	<b>Category 2: Monitor/Amplifier</b>	<b>Category 3: Tuner</b>	<b>Category 4: Menu</b>
F5	C1	C2	C3	C4
vendor unique*	C1	C2	C3	C4

*Table 4.8: Support Levels of operation\_id in CT*

- \*: The vendor-unique *operation\_id* shall not be used instead of *operation\_id* specified in the PASS THROUGH command that has the same functionality.

## 5 Protocol Concepts

---

### 5.1 Types of commands

The commands defined in AVRCP fall into two main groups described below.

#### 5.1.1 AV/C commands

There exist two sets of AV/C commands in AVRCP. The set of PASSTHROUGH commands, UNIT and SUBUNIT INFO commands are defined in the AV/C specification. There also exists a set of commands, hereafter referred to as AVRCP specific AV/C commands, defined as a Bluetooth SIG Vendor Dependent extension. These commands use the AV/C Vendor Dependent Opcode, and the Vendor Unique PASSTHROUGH operation id. They are sent over the AVCTP control channel.

#### 5.1.2 Browsing commands

The set of browsing commands use the AVCTP browsing channel. AVCTP is used directly, with no AV/C layer. AVCTP fragmentation shall not be applied on the browsing channel. This means that an AVRCP entity can determine from the AVCTP Browsing Channel MTU how much data can be accepted by the peer entity. The sender can then take actions necessary to limit the amount of data sent whilst preserving user experience. For example when sending a search command to a TG the CT should limit the search string length which can be input by the user such that the search command will fit within the L2CAP MTU. Some examples of this are shown in Section 26.20 and Section 26.21.

### 5.2 Capabilities

CT shall have the ability to query the capabilities of TG. The following capabilities can be queried,

1. List of Company IDs supported by TG. For details refer to Section 6.4.
2. List of Event IDs supported by TG. For details refer to Section 6.4 and Section 25.
3. Player Application specific feature bitmask. This is part of the Media Player Item which can be retrieved by browsing the available media players with the GetFolderItems command in the scope of the Media Player List. For details also refer to Section 6.10.2.1 and Section 22.19.

### 5.3 Target player application settings

Player application settings commands provide a mechanism for CT devices to query player application setting attributes on the TG and to get and set specific setting values for these attributes.

All player application settings are available on the target as an <attribute, value> pair. For each player application attribute there shall be multiple possible values, with one of them being the current set value.

The specification defines pre-defined attributes and values for some of the commonly used player application settings, defined in Appendix-F of this specification.

The PDUs allow for extensions to the pre-defined attributes and values defined in the target and are accessible to the controller, along with displayable text. This will allow controllers without the semantic understanding of the target's player application setting to be able to extend their menu by displaying setting related text and provide users with a mechanism to operate on the player application settings.

Each player application setting has a unique AttributeID and the attributes have values that have a ValueID. Target-defined attributes and values have displayable text associated with them for allowing the CT to be able to provide menu extensions to existing media players.

Refer to Section 6.5 for the list of PDUs.

## **5.4 Metadata Attributes for Current Media Item**

Metadata attributes for the currently playing media element may be retrieved by the CT using the GetElementAttributes command. This allows the CT to request a specific set, or all, attributes from the TG. These attributes include such things as title and artist.

## **5.5 Event notifications from target device**

The following capabilities are provided as part of event notifications from the target device,

1. CT has the capability to access current play status in addition to media track duration and current position of the track.
2. Events that can be monitored on the target are,
  - a) Play status events of the current media track,
    - Playing
    - Paused
    - Stopped
    - Seek Forward
    - Seek Rewind
    - Playback position change
  - b) Track change events,
    - Change of track
    - Start of track
    - End of track
  - c) Device unplugged event, to support target-end external adapters to media devices.

- d) All player application attributes can be registered as events by the CT. The TG shall notify the CT on change in value of the corresponding device setting by the local TG device.
  - e) Volume change on the TG device
  - f) Available players changed
  - g) Addressed player changed
  - h) UIDs changed
  - i) Content of Now Playing folder changed
3. CT devices have the capability to provide a NOTIFY AV/C command to the TG, to register for specific events on the TG.
  4. The TG shall for every supported NOTIFY AV/C command send an INTERIM response to the CT with the current status of the registered event within  $T_{MTP}$  from the time of registration.
  5. On the occurrence of a registered event, TG device shall send a CHANGED response to the CT with the current status
  6. As per AV/C protocol a NOTIFY command terminates after providing a corresponding CHANGED. It is recommended that CT devices that need periodic updates on selected events re-register for those events after the receipt of the corresponding CHANGED as they will only receive an update when there is an outstanding NOTIFY to complete.
  7. As per AVCTP, there shall be only 16 outstanding transaction labels at any instant of time on each AVCTP channel. This shall limit the number of events that can be simultaneously registered or pending response to 15.

## 5.6 Continuation

Continuation commands provide protocol capability for sender and receiver to be able to segment and reassemble packets over AV/C. The commands include:

- Request for continuation packets
- Abort continuation of current message

Packet type on the PDU response from TG shall indicate whether the PDU is a start packet with additional packets available for CT as response to its PDU command. CT shall then request for continuation packets using the Continuation PDU till end of packet is signaled on the PDU packet type.

CT has the option to abort the current PDU continuation response packets by sending the continuation abort PDU any time after the reception of the first PDU response for the corresponding PDU command.

Note that Continuation is required due to the limit of 512 octets per AV/C frame. Continuation is therefore only necessary for AV/C commands.

## 5.7 Group navigation

Group navigation provides the ability for CT to logically view TG media storage as a flat structure. Groups are logical blocks of media tracks defined by TG. This could be play lists, folders or any other logical structure as deemed fit by TG. By doing this CT shall be able to move to next and previous groups on TG without any knowledge on the media storage mechanism of TG.

## 5.8 Absolute Volume

This feature provides volume handling functionality to allow the CT to show a volume level slider or equivalent.

Two commands are provided to allow an absolute volume to be set, and for volume changes to be observed.

The SetAbsoluteVolume command is used to set an absolute volume to be used by the rendering device. This is in addition to the relative volume PASS THROUGH commands. It is expected that the audio sink will perform as the TG for this command.

The RegisterNotification command for the Volume Changed Event is used by the CT to detect when the volume has been changed locally on the TG, or what the actual volume level is following use of relative volume commands.

## 5.9 Media Player Selection

A device that supports the media source role may contain zero or more media players. For the purposes of this document a media player is defined as an entity which can fulfill the requirements of this specification. Whether there is a one to one mapping between media player entities as presented over AVRCP and applications on the device is implementation dependent.

There may be a variety of media players, including music players, video players, streaming players, FM radios, mobile TV tuners etc. To allow media playing to be controlled from a remote device it is possible for that device to select which media player it wants to control the play status for and which player it wishes to navigate the media content of.

The media content available to be played is dependent on what media player is currently selected, for example a radio application may offer a variety of radio stations, whereas an audio media player may offer audio tracks present on local storage.

Functionality is available to allow a CT to view available media players on the TG, select a media player to control and a media player to browse the media content of, and to be notified of changes to the available media players.

The media player selection functionality allows a TG device to support a range of media players with varying functionality. All media player applications on an AVRCP 1.4 TG device may not support the full range of AVRCP 1.4 features even though the Bluetooth AVRCP 1.4 profile implementation is capable of supporting these. For example a device may have two media player applications, one fully featured application supporting browsing functionality and one which was written to support AVRCP 1.3 which only

provides basic control and Metadata access. To allow the CT to make a decision about which player to select the capabilities of each player are published in a Player Feature Bitmask. This is part of the Media Player Item which can be retrieved by browsing the available media players.

### **5.9.1 Addressed Player**

The player to which the AV/C Panel Subunit [2] shall route AV/C commands is the addressed player. Browsing commands with the scope Now Playing shall be routed via AVRCP to the Addressed Player.

### **5.9.2 Browsed Player**

The player to which AVRCP shall route browsing commands with the scope Virtual Media Player Filesystem or Search is the browsed player. Refer to Section 6.10.1 for more information on scope. The browsed player is an AVRCP concept and is independent of any media browsing which occurs locally on the TG device.

## **5.10 Now Playing**

Many media players support the concept of a Now Playing list or Queue. This is effectively a dynamic playlist containing the media items currently scheduled to be played. The order of items in the Now Playing list supplied to the CT should reflect the order they appear on the media player application on the TG.

Although a media player application may not support the concept of a Now Playing list natively there are a variety of ways in which it could choose to populate the Now Playing list. For example it could just place the currently playing media item in the Now Playing list, or it could place the contents of the currently playing folder in the Now Playing list.

The Now Playing list may be examined using AVRCP browsing functionality. Items on the Now Playing list may be acted upon similarly to other media items in the virtual media filesystem. In addition functionality is available to allow items to be added to the Now Playing list.

## **5.11 UID**

Media elements are identified within the virtual filesystem by an 8 octet identifier, the UID. This allows individual items to be specified as the target of an operation, for example the PlayItem command takes a UID as a parameter to specify which media element should be played.

### **5.11.1 UID Counter**

The UID Counter allows the CT device to detect updates on the TG device. A TG device that supports the UID Counter shall update the value of the counter on each change to the media database.



## **5.12 Search**

The search functionality allows the CT to locate specific media elements on the TG. On the typical target devices it is unlikely that full metadata will be available for all content, either because it is not present as part of the available media data, or because the interface between the Bluetooth stack and the media player does not allow this to be accessed. For this reason a fully featured search facility, offering for instance functions such as search within genre or artist, is not available. Instead only basic search functionality is provided, with basic string search.

Advanced search facilities, such as search on artist are not supported. However, equivalent filtering may be possible using search within folder on folders which contain specific types of content, as folders have properties which include the type of content they hold (see Section 6.10.2.2). For example if the CT navigates to the /Artists/ArtistA folder and searches on string “Track” it should be equivalent to searching for the string “Track” in media element items where the artist is ArtistA, dependent on media player behavior.

## **5.13 Browsing**

Browsing functionality allows a CT device to navigate and view media content on the TG. Four different scopes are defined which may each be browsed.

### **5.13.1 Media Player List**

The Media Player List contains available media players. The CT may view and select these as described in Section 5.9.

### **5.13.2 Virtual Media Filesystem**

The Virtual Media Filesystem is a representation of the Media Elements and Folders present on the TG. Having navigated the Virtual Media Filesystem the CT may then choose to operate on a Media Element Item, for example to play it.

### **5.13.3 Search**

The Search folder contains the results of the last search performed by the CT. The search is performed using the search functionality described in Section 5.12.

### **5.13.4 Now Playing**

The Now Playing folder contains the list of Media Elements that are currently scheduled to be played by the Addressed Player on the TG. This is outlined in more detail in Section 5.10.

## 6 Protocol Description

---

### 6.1 Framing

#### 6.1.1 AV/C commands

The non-Vendor Dependent and non-Vendor Unique AV/C commands are sent using AV/C Digital Interface Command Set General Specification [1] and the AV/C Panel Subunit specification [2] as specified by 1394 Trade Association.

#### 6.1.2 AVRCP specific AV/C commands

All the AVRCP specific AV/C command and response packets are sent using AV/C Digital Interface Command Set General Specification as specified by 1394 Trade Association [1]. All the AVRCP specific AV/C commands are exchanged using VENDOR DEPENDENT commands and Vendor Unique PASSTHROUGH commands as defined in the 1394 specifications.

#### 6.1.3 AVRCP specific browsing commands

The AVRCP specific browsing commands are sent using the format defined in Section 6.3.2.

### 6.2 Timers

All AV/C transactions shall comply with the following time period unless explicitly specified otherwise. TG shall respond to any AV/C command within a time period of T RCP (100) counting from the moment a command frame is received.

For some AVRCP specific AV/C CONTROL commands, the TG may not be able to complete the request or determine whether it is possible to complete the request within the T RCP (100) allowed. In this case, the TG shall return an initial response code in INTERIM with the expectation that the final response follow later.

For AVRCP specific AV/C commands the following time periods are defined.

TMTC (200) is the time period before which TG shall generate a response frame for CONTROL commands.

TMTP (1000) is the time period before which TG shall generate a response frame for interim response for NOTIFY commands and final response for STATUS commands.

For AVRCP specific browsing commands a timer is not defined as the time required to complete the operation may be quite variable, however the TG should respond in a timely fashion.

### 6.3 Protocol Data Unit Description

There are two PDU formats used in AVRCP. On the Control channel all commands and responses are AV/C generic PDUs or AVRCP Specific AV/C PDUs as defined in Section 6.3.1. On the Browsing channel all commands and responses are AVRCP

Specific Browsing PDUs as defined in Section 6.3.2. The AVRCP specific commands are listed in Table 4.5: AVRCP Specific operations. This table specifies whether the command shall be sent on the Control or Browsing channel, and hence what format the commands shall take. Control commands shall only be sent on the Control Channel and Browsing commands shall only be sent on the Browsing channel.

### 6.3.1 AVRCP Specific AV/C commands

The vendor dependent data field in the vendor dependent command/response frames shall be an AVRCP Specific AV/C PDU.

Every PDU consists of a PDU Identifier, length of all parameters (excluding the parameter length field) and the PDU-specific parameters.

Oct	MSB (7)	6	5	4	3	2	1	LSB (0)
0	PDU ID							
1	Reserved						Packet Type	
2-3	Parameter Length							
4-n	Parameter (Number of parameters determined by Parameter Length)							

Table 6.1: AVRCP Specific AV/C PDU format

The PDU fields are briefly described below:

**PDU ID:** The PDU ID is used to identify the specific command/response with unique identifier for each operation.

**Packet Type:** The Packet Type field qualifies each packet as either start (Packet Type=01), continue (Packet Type=10), or end packet (Packet Type=11). In the case of a non-fragmented message, this field (Packet Type=00) simply indicates that the message is sent in a single AV/C frame.

The packets are fragmented by the sender so as to be able to accommodate into the 512 octet AV/C packet size restriction. Receivers have the flexibility to request continuation packets at their convenience from the sender or abort the continuation request. Note: if the L2CAP MTU is less than 512 octets, AVCTP shall also apply fragmentation to each of the AV/C packets. All response fragments shall have the same PDU ID as the original request.

A sender shall not interleave fragmented PDUs. Once a sender has sent a start fragment it shall only send further fragments of that PDU until that PDU is completed or aborted. If a receiver receives a start fragment or non-fragmented AVRCP Specific AV/C message when it already has an incomplete fragment from that sender then the receiver shall consider the first PDU aborted. A PASSTHROUGH command may be interleaved in fragmented AVRCP Specific AV/C communication without aborting it.

**Parameter Length:** The parameter length field specifies the length of all the parameters following the Parameter Length field in Table 6.2: AVRCP Specific AV/C Command. In the case of fragmented packets, all packets shall contain the Parameter Length field. The value of the field in each fragment shall be the length of the parameters contained within that fragment.

**Parameter1 ...n:** These are the parameters for the specific operations performed and are described in sections below.

An example AVRCP Specific AV/C command (GetCapabilities) PDU is shown in Table 6.2: AVRCP Specific AV/C Command.

Oct	MSB (7)	6	5	4	3	2	1	LSB (0)
0	0x0				Ctype: 0x1 (STATUS)			
1	Subunit_type:0x9 (PANEL)					Subunit_ID: 0x0		
2	Opcode: 0x0 (VENDOR DEPENDENT)							
3 -5	Company ID: 0x001958, Bluetooth SIG registered CompanyID							
6	PDU ID (0x10 - Get Capabilities)							
7	Reserved (0x00)						Packet Type (0x0)	
8 - 9	Parameter Length (0x0001)							
10	Capability ID (0x1)							

Table 6.2: AVRCP Specific AV/C Command

The grayed portion in table above indicates the AVRCP Specific AV/C PDU inside an AV/C Vendor dependent command frame.

### 6.3.2 AVRCP Specific Browsing Commands

Every PDU consists of a PDU Identifier, length of all parameters (excluding the parameter length field) and the PDU-specific parameters. The AVCTP transaction label shall be used to match commands with responses.

Oct	MSB (7)	6	5	4	3	2	1	LSB (0)
0	PDU ID							
1-2	Parameter Length							
3-n	Parameters							

Table 6.3: Browsing PDU header format

The PDU fields are briefly described in the following paragraphs:

**PDU ID:** The PDU ID is used to identify the specific command/response with unique identifier for each operation.

**Parameter Length:** The parameter length field specifies the length of all the parameters following the Parameter Length field in [Table 6.3: Browsing PDU header format](#).

**Parameter:** The value of the parameter is defined by each PDU ID.

A PDU is sent as an AVCTP message. The size of an AVRCP PDU is limited by the L2CAP MTU. Fragmentation shall not be applied on the AVCTP Browsing Channel.

## 6.4 Capabilities PDUs

### 6.4.1 GetCapabilities

#### Description:

This primitive gets the capabilities supported by remote device. This is sent by CT to get the capabilities of the peer device.

Command format (GetCapabilities with COMPANY\_ID as parameter):

Parameters	Size (octets)	Description	Allowed Values
CapabilityID	1 octet	Specific capability requested.	see Table 6.5: GetCapabilities Command Allowed Values

Table 6.4: GetCapabilities Command

#### Allowed values for GetCapabilities Command:

CapabilityID	Value
COMPANY_ID (0x2)	This requests the list of CompanyID supported by TG. All TG devices are expected to send the Bluetooth SIG CompanyID as defined in <a href="#">Table 6.7: GetCapabilities Response for CompanyID Allowed Values</a> as the first supported CompanyID.
EVENTS_SUPPORTED (0x3)	This requests the list of CompanyID supported by the TG. All TG devices shall send the Bluetooth SIG CompanyID as defined in <a href="#">Table 6.7</a> : as the first supported CompanyID.
Other values	Other CapabilityIDs are reserved

Table 6.5: GetCapabilities Command Allowed Values

#### GetCapabilities Response format for COMPANY\_ID:

Parameters	Size (octets)	Description	Allowed Values
CapabilityID	1	Specific capability requested	COMPANY_ID
CapabilityCount (n)	1	Specifies the number of CompanyID returned	1-255
Capability	3...3*n	List of CompanyID	See Table 6.7: GetCapabilities Response for CompanyID Allowed Values

Table 6.6: GetCapabilities Response for COMPANY\_ID

#### Allowed Values for GetCapabilities Response for COMPANY\_ID:

Capability	Value
CompanyID	CompanyID value range as defined in AV/C VENDOR_DEPENDENT command frame. The first COMPANY_ID returned is the Bluetooth SIG's defined Metadata Transfer CompanyID.  Each CompanyID is 3 octets long.

Table 6.7: GetCapabilities Response for CompanyID Allowed Values

GetCapabilities Response format for EVENTS\_SUPPORTED:

Parameters	Size (octets)	Description	Allowed Values
CapabilityID	1	Specific capability requested	EVENTS_SUPPORTED
CapabilityCount (n)	1	Specifies the number of events supported	2-255
Capability	2...n	List of EventIDs	see <a href="#">Table 6.9</a>

Table 6.8: GetCapabilities Response for EVENTS\_SUPPORTED

Allowed Values for GetCapabilities Response for EVENTS\_SUPPORTED:

Capability	Value
EventIDs	Minimum of two mandatory EventIDs defined in <a href="#">Appendix H: List of defined notification events</a> are returned. EventIDs are 1 octet each.

Table 6.9: GetCapabilities Response for EVENTS\_SUPPORTED Allowed Values

NOTE: The CT should be aware that the capabilities supported by the TG may be subject to change. This may occur if the application on the TG changes, or the application changes mode, for instance different functionality may be available when the TG is playing locally stored audio tracks to when it is acting as a radio. How this is handled by the CT is implementation dependent. If the TG application changes to support less functionality the CT may receive error responses indicating that the function requested is not implemented. The CT may then decide to reissue the GetCapabilities to get the most current capabilities. If the TG application changes to support more features the CT may be happy to continue using the original set of features supported. If not it may choose to occasionally poll the TG with a GetCapabilities to determine when further capabilities are available.

## 6.5 Player application settings PDUs

The following PDUs provide the needed functionality for controller devices to access and set attribute value on the target device.

### 6.5.1 ListPlayerApplicationSettingAttributes

#### Description:

This primitive request the target device to provide target supported player application setting attributes. The list of reserved player application setting attributes is provided in 24. It is expected that a target device may have additional attributes not defined as part of this specification.

Command Format (ListPlayerApplicationSettingAttributes)

Parameters	Size (octets)	Description	Allowed Values
None			

Table 6.10: ListPlayerApplicationSettingAttributes command

## Response Format (ListPlayerApplicationSettingAttributes)

Parameters	Size (octets)	Description	Allowed Values
NumPlayerApplicationSettingAttributes(N)	1	Number of attributes provided	0-255
PlayerApplicationSettingAttributeID1	1	Specifies the player application setting attribute ID	See <a href="#">Appendix F: List of defined Player Application Settings and Values</a> for the list of player application setting attribute IDs
And so on for the number of target defined player application setting attributes (N).			

Table 6.11: ListPlayerApplicationSettingAttributes response

## 6.5.2 ListPlayerApplicationSettingValues

**Description:**

This primitive requests the target device to list the set of possible values for the requested player application setting attribute. The list of reserved player application setting attributes and their values are provided in [Appendix F: List of defined Player Application Settings and Values](#). It is expected that a target device may have additional attribute values not defined as part of this specification.

## Command Format (ListPlayerApplicationSettingValues)

Parameters	Size (octets)	Description	Allowed Values
PlayerApplicationSettingAttributeID	1	Player application setting attribute ID	Player application setting attribute ID as defined in <a href="#">Appendix F: List of defined Player Application Settings and Values</a> or received from the target

Table 6.12: ListPlayerApplicationSettingValues command

## Response Format (ListPlayerApplicationSettingValues)

Parameters	Size (octets)	Description	Allowed Values
NumPlayerApplicationSettingValues (N)	1	Number of player application setting values	1-255
PlayerApplicationSettingValueID1	1	Specifies the player application setting value ID	See <a href="#">Appendix F: List of defined Player Application Settings and Values</a> for list of reserved player application setting values. Additional values may be provided by the target for the requested player application setting attribute
And so on for the number of target defined player application setting values (N).			

Table 6.13: ListPlayerApplicationSettingValues response



### 6.5.3 GetCurrentPlayerApplicationSettingValue

This primitive requests the target device to provide the current set values on the target for the provided player application setting attributes list.

Command Format (GetCurrentPlayerApplicationSettingValue)

Parameters	Size (octets)	Description	Allowed Values
NumPlayerApplicationSettingAttributeID (N)	1	Number of player application setting attribute for which current set values are requested	1-255
PlayerApplicationSettingAttributeID1	1	Player application setting attribute ID for which the corresponding current set value is requested	Valid PlayerApplicationSettingAttributeID values received from the target, or defined as part of <a href="#">Appendix F: List of defined Player Application Settings and Values</a>
And so on for the number of target defined player application setting attributes in the requested order (N).			

Table 6.14: GetCurrentPlayerApplicationSettingValue command

Response format (GetCurrentPlayerApplicationSettingValue)

Parameters	Size (octets)	Description	Allowed Values
NumPlayerApplicationSettingValues (N)	1	Number of player application settings value provided	1-255
PlayerApplicationSettingAttributeID1	1	Player application setting attribute ID for which the value is returned	1-255
PlayerApplicationSettingValueID1	1	Currently set player application setting value on the target for the corresponding requested player application setting attribute ID	Valid PlayerApplicationSettingValueID values received from the target, or defined as part of <a href="#">Appendix F: List of defined Player Application Settings and Values</a>
And so on for the number of target defined player application setting values in the requested order (N).			

Table 6.15: GetCurrentPlayerApplicationSettingValue response

### 6.5.4 SetPlayerApplicationSettingValue

This primitive requests to set the player application setting list of player application setting values on the target device for the corresponding defined list of PlayerApplicationSettingAttributes.

Command Format (SetPlayerApplicationSettingValue)

Parameters	Size (octets)	Description	Allowed Values
NumPlayerApplicationSettingAttributes (N)	1	Number of player application setting attributes for which the player application setting	1-255



PlayerApplicationSettingAttributeID1	1	Player application setting attribute ID for which the value needs to be set	Valid PlayerApplicationSettingAttributeID values received from the target, or defined as part of <a href="#">Appendix F: List of defined Player Application Settings and Values</a>
PlayerApplicationSettingValueID1	1	Player application setting value ID for the corresponding player application setting attribute ID	Valid PlayerApplicationSettingValueID values received from the target, or defined as part of <a href="#">Appendix F: List of defined Player Application Settings and Values</a>
And so on for the number of target defined player application setting attributes and their values.			

Table 6.16: SetPlayerApplicationSettingValue command

Response format (SetPlayerApplicationSettingValue)

Parameters	Size (octets)	Description	Allowed Values
None			

Table 6.17: SetPlayerApplicationSettingValue response

NOTE: Setting of a value by CT does not implicitly mean that the setting will take effect on TG. The setting shall take effect after a play command from CT. If currently playing, it is up to the TG to decide when the setting shall take effect. There shall be an error response sent back if there are errors in attribute and/or value. See Section 6.15 for additional details.

6.5.5 GetPlayerApplicationSettingAttributeText

This primitive requests the target device to provide supported player application setting attribute displayable text for the provided PlayerApplicationSettingAttributeIDs.

NOTE: This command is expected to be used mainly for extended attributes for menu navigation; for defined attributes the CT provides text for the application. However, to avoid inconsistency between CT and TG provided text, the TG can choose to provide text for defined attributes as well. It is assumed that all pairs used for menu extensions are statically defined by TG.

Command Format (GetPlayerApplicationSettingAttributeText)

Parameters	Size (octets)	Description	Allowed Values
NumPlayerApplicationSettingAttributes (N)	1	Number of player application setting attribute IDs for which corresponding string is needed	1-255
PlayerApplicationSettingAttributeID1	1	Player application setting attribute ID for which the corresponding attribute displayable text is needed	Valid PlayerApplicationSettingAttributeID values received from the target, or defined attributeID as part of <a href="#">Appendix F: List of defined Player Application Settings</a>

			<a href="#">and Values</a>
And so on for the number of needed player application setting attribute ID (N)			

Table 6.18: GetPlayerApplicationSettingAttributeText command

Response format (GetPlayerApplicationSettingAttributeText)

Parameters	Size (octets)	Description	Allowed Values
NumPlayerApplicationSettingAttributes (N)	1	Number of attributes provided	1-255
PlayerApplicationSettingAttributeID1	1	Specified the player application setting attribute ID for which the displayable text is returned	1-255
CharacterSetID1	2	Specifies the character set ID to be displayed on CT	Use MIBenum defined in IANA character set document (Refer to InformDisplayableCharacterSet)
PlayerApplicationSettingAttributeStringLength1 (n)	1	Length of the player application setting attribute string	1-255
PlayerApplicationSettingAttributeString1	1-n	Specifies the player application setting attribute string in specified character set.	Any string encoded in specified character set
And so on for the number of target defined player application setting attributes in the requested order (N).			

Table 6.19: GetPlayerApplicationSettingAttributeText response

6.5.6 GetPlayerApplicationSettingValueText

This primitive request the target device to provide target supported player application setting value displayable text for the provided player application setting attribute values.

NOTE: This command is expected to be used mainly for extended attributes for menu navigation; for defined attributes the CT provides text for the application. However, to avoid inconsistency between CT and TG provided text, the TG can choose to provide text for defined attributes as well. It is assumed that all pairs used for menu extensions are statically defined by TG.

Command Format (GetPlayerApplicationSettingValueText)

Parameters	Size (octets)	Description	Allowed Values
PlayerApplicationSettingAttributeID	1	Player application setting attribute ID	Player application setting attribute ID as defined in <a href="#">Appendix F: List of defined Player Application Settings and Values</a> or received from the target
NumPlayerApplicationSettingValue(N)	1	Number of player application setting values for which corresponding string is needed	1-255
PlayerApplicationSettingValueID1	1	Player application setting value ID for which the corresponding value string is needed	Valid ValueID values received from the target, or defined ValueID as part of <a href="#">Appendix</a>

			<a href="#">F: List of defined Player Application Settings and Values</a>
And so on for the number of target defined player application setting values in the requested order (N).			

Table 6.20: GetPlayerApplicationSettingValueText command

Response format (GetPlayerApplicationSettingValueText)

Parameters	Size (octets)	Description	Allowed Values
NumPlayerApplicationSettingValues (N)	1	Number of player application settings value provided	1-255
PlayerApplicationSettingValueID1	1	Player application setting value ID for which the text is returned	1-255
CharacterSetID1	2	Specifies the character set ID to be displayed on CT	Refer to Section 6.5.7 for allowed values
PlayerApplicationSettingValueStringLength1 (n)	1	Length of the player application setting value string	1-255
PlayerApplicationSettingValueString1	1-n	Specifies the player application setting value string in specified character set.	Any string encoded in specified character set
And so on for the number of target defined player application setting values in the requested order (N).			

Table 6.21: GetPlayerApplicationSettingValueText response

**6.5.7 InformDisplayableCharacterSet**

This primitive provides the list of character sets supported by CT to the TG. This shall allow the TG to send responses with strings in any of the character sets supported by CT.

After the TG has received this command, the TG may send a string in any of the character sets that are specified in this command. By default the TG shall send strings in UTF-8 if it has not received a valid version of this command.

Command Format (InformDisplayableCharacterSet)

Parameters	Size (octets)	Description	Allowed Values
NumCharacterSet(N)	1	Number of displayable character sets provided	1-255
CharacterSetID1	2	Supported Character Set	Refer to note for valid values.
The CharacterSetID parameter is present for each supported character set; that is, it should be present N times.			

Table 6.22: InformDisplayableCharacterSet command

Response format (InformDisplayableCharacterSet)

Parameters	Size (octets)	Description	Allowed Values
None			

Table 6.23: InformDisplayableCharacterSet response

Refer to [Figure 26.2 in Appendix J: List of Example MSCs of different AVRCP Specific Commands \(informative\)](#).

Note: If this command is not issued, UTF-8 shall be used for any strings as default character set. It is mandatory for CT to send UTF-8 as one of the supported character set in the PDU parameters.

The CT should send this command before it sends any commands that support multiple character sets as follows:

- GetPlayerApplicationSettingAttributeText
- GetPlayerApplicationSettingValueText
- GetElementAttributes
- SetBrowsedPlayer
- GetFolderItems
- Search
- CharacterSetID parameter in all the above listed PDUs including this PDU is MIBenum value of the character set defined in IANA character set document [11].

### 6.5.8 InformBatteryStatusOfCT

This command frame is being sent by the CT to TG whenever the CT's battery status has been changed.

Command Format (InformBatteryStatusOfCT)

Parameters	Size (octets)	Description	Allowed Values
Battery status	1	Battery status	0x0 – NORMAL – Battery operation is in normal state 0x1 – WARNING - unable to operate soon. Specified when battery going down. 0x2 – CRITICAL – cannot operate any more. Specified when battery going down. 0x3 – EXTERNAL – Connecting to external power supply 0x4 - FULL_CHARGE – when the device is completely charged. 0x5 – 0xFF - Reserved

Table 6.24: InformBatteryStatusOfCT command

Response Format (InformBatteryStatusOfCT)

Parameters	Size (octets)	Description	Allowed Values
None			

Table 6.25: InformBatteryStatusOfCT response

## 6.6 Media Information PDUs

The Media Information PDU's are used to obtain detailed information on a particular media file like song information including title, album, artist, composer, year etc.

### 6.6.1 GetElementAttributes

These primitive requests the TG to provide the attributes of the element specified in the parameter. This shall only be used to retrieve Metadata for the currently playing track from the Addressed Player on the Control channel when GetItemAttributes is not supported. Refer to GetItemAttributes (Section 6.10.4.3) for retrieving Metadata for other items.

Command Format (GetElementAttributes)

Parameters	Size (octets)	Description	Allowed Values
Identifier	8	Unique identifier to identify an element on TG	PLAYING (0x0): This should return attribute information for the element which is current track in the TG device. All other values other than 0x0 are currently reserved.
NumAttributes (N)	1	Number of Attributes provided	If NumAttributes is set to zero, all attribute information shall be returned, else attribute information for the specified attribute IDs shall be returned by the TG
AttributeID1	4	Specifies the attribute ID for the attributes to be retrieved	See <a href="#">Appendix E: List of Media Attributes</a> for the list of possible attribute IDs. This field is not present if NumAttributes is zero.
And so on for each attribute (0...N).			

Table 6.26: GetElementAttributes command

Response Format (GetElementAttributes):

Parameters	Size (octets)	Description	Allowed Values
NumAttributes (N)	1	Number of attributes provided	1-255
AttributeID1	4	Specifies the attribute ID to be written	See <a href="#">Appendix E: List of Media Attributes</a> for list of possible attribute IDs
CharacterSetID1	2	Specifies the character set ID to be displayed on CT	Use MIBenum defined in IANA character set document [11] (Refer to InformDisplayableCharacterSet)
AttributeValueLength1 (n1)	2	Length of the value of the attribute	0-65535 (0, if no name is provided)
AttributeValue1	0-n1	Attribute Name in specified character set	Any text encoded in specified character set. This field is not present if AttributeValueLength for this Attribute is set to zero.

And so on for all the attributes provided (1...N). The set of four parameters AttributeID, CharacterSetID, AttributeValueLength and AttributeValue together are present for each attribute.

Table 6.27: GetElementAttributes response

## 6.7 Notification PDUs

The Notification PDUs are used to obtain synchronous as well as asynchronous updates from the TG based on change of status at the target's side.

For example, when CT might be interested to know the current status of a media track or when media track gets changed, so that new media information can be displayed on the controller's display. The CT could do one of i) querying for play status or ii) register with the TG to receive play status notifications. The TG then sends a notification PDU when a status change happens if the CT had registered for that change.

### 6.7.1 GetPlayStatus

This primitive is used by the CT to get the status of the currently playing media at the TG.

Command Format (GetPlayStatus):

Parameters	Size (octets)	Description	Allowed Values
None			

Table 6.28: GetPlayStatus command

Response Format (GetPlayStatus):

Parameters	Size (octets)	Description	Allowed Values
SongLength	4	The total length of the playing song in milliseconds	0-(2 <sup>32</sup> - 1)
SongPosition	4	The current position of the playing in milliseconds elapsed	0-(2 <sup>32</sup> - 1)
PlayStatus	1	Current Status of playing	0x00 : STOPPED 0x01 : PLAYING 0x02 : PAUSED 0x03: FWD_SEEK 0x04: REV_SEEK 0xFF : ERROR

Table 6.29: GetPlayStatus response

**Note:** If TG does not support SongLength And SongPosition on TG, then TG shall return 0xFFFFFFFF.

### 6.7.2 RegisterNotification

This primitive registers with the TG to receive notifications asynchronously based on specific events occurring. The initial response to this Notify command shall be an INTERIM response with current status, or a REJECTED/NOT IMPLEMENTED response. This has to take place within T<sub>MTP</sub> time from receiving the command. The following response shall be a CHANGED response with the updated status, or a

REJECT response. This is as per 1394 AV/C protocol specification. A registered notification gets changed on receiving CHANGED event notification. For a new notification additional NOTIFY command is expected to be sent. Only one EventID shall be used per notification registration.

Refer to [Figure 26.4 in Appendix J: List of Example MSCs of different AVRCP Specific Commands \(informative\)](#).

Command Format (RegisterNotification):

Parameters	Size (octets)	Description	Allowed Values
EventID	1	Event for which the CT requires notifications	Refer to 25 Appendix H: List of defined notification events
Playback interval	4	Specifies the time interval (in seconds) at which the change in playback position will be notified. If the song is being forwarded / rewound, a notification will be received whenever the playback position will change by this value. (Applicable only for EventID EVENT_PLAYBACK_POSITION_CHANGED. For other events , value of this parameter is ignored)	0 < Playback interval

Table 6.30: RegisterNotification command

### Response Formats (RegisterNotification)

Response Data format for EVENT\_PLAYBACK\_STATUS\_CHANGED

Parameters	Size (octets)	Description	Allowed Values
EventID	1	Specific EventID	EVENT_PLAYBACK_STATUS_CHANGED (0x01)
PlayStatus	1	Indicates the current status of playback	0x00: STOPPED 0x01: PLAYING 0x02: PAUSED 0x03: FWD_SEEK 0x04: REV_SEEK 0xFF: ERROR

Table 6.31: Response EVENT\_PLAYBACK\_STATUS\_CHANGED

Response Data format for EVENT\_TRACK\_CHANGED

Parameters	Size (octets)	Description	Allowed Values
EventID	1	Specific EventID	EVENT_TRACK_CHANGED (0x02)

Identifier	8	Unique Identifier to identify an element on TG, as is used for GetElementAttribute command in case Browsing is not supported and GetItemAttribute command in case Browsing is supported.	If a track is selected, then return 0x0 in the response. If no track is currently selected, then return 0xFFFFFFFFFFFFFFFF in the INTERIM response. If Browsing is not supported and a track is selected, then return 0x0 in the response. If Browsing is supported, then 0x0 is not allowed. If Browsing is supported and a track is selected, the identifier shall correspond to the currently played media element as listed in the NowPlaying folder.
------------	---	--	--

Table 6.32: Response EVENT\_TRACK\_CHANGED

Response Data format for EVENT\_TRACK\_REACHED\_END

Parameters	Size (octets)	Description	Allowed Values
EventID	1	Specific EventID	EVENT_TRACK_REACHED_END (0x03)
None			

Table 6.33: Response EVENT\_TRACK\_REACHED\_END

If any action (e.g. GetElementAttributes) is undertaken on the CT as reaction to the EVENT\_TRACK\_REACHED\_END, the CT should register the EVENT\_TRACK\_REACHED\_END again before initiating this action in order to get informed about intermediate changes regarding the track status.

Response Data format for EVENT\_TRACK\_REACHED\_START

Parameters	Size (octets)	Description	Allowed Values
EventID	1	Specific EventID	EVENT_TRACK_REACHED_START (0x04)
None			

Table 6.34: Response EVENT\_TRACK\_REACHED\_START

If any action (e.g. GetElementAttributes) is undertaken on the CT as reaction to the EVENT\_TRACK\_REACHED\_START, the CT should register the EVENT\_TRACK\_REACHED\_START again before initiating this action in order to get informed about intermediate changes regarding the track status.

Response Data format for EVENT\_PLAYBACK\_POS\_CHANGED

Parameters	Size (octets)	Description	Allowed Values
EventID	1	Specific EventID	EVENT_PLAYBACK_POS_CHANGED (0x05)
Playback position	4	Current playback position in millisecond	If no track currently selected, then return 0xFFFFFFFF in the INTERIM response.

Table 6.35: Response EVENT\_PLAYBACK\_POS\_CHANGED



**EVENT\_PLAYBACK\_POS\_CHANGED shall be notified in the following conditions:**

- TG has reached the registered playback Interval time.
- Changed PLAY STATUS.
- Changed Current Track.
- Reached end or beginning of track.

Response Data format for EVENT\_BATT\_STATUS\_CHANGED

Parameters	Size (octets)	Description	Allowed Values
EventID	1	Specific EventID	EVENT_BATT_STATUS_CHANGED (0x06)
Battery status	1	Battery status	see Table 6.37: Allowed Values for Battery Status

Table 6.36: Response EVENT\_BATT\_STATUS\_CHANGED

Allowed Values for Battery Status:

Battery Status Value	Description
0x0 – NORMAL –	Battery operation is in normal state
0x1 – WARNING -	unable to operate soon. Is provided when the battery level is going down.
0x2 – CRITICAL –	Cannot operate any more. Is provided when the battery level is going down.
0x3 – EXTERNAL –	Plugged to external power supply
0x4 - FULL_CHARGE –	when the device is completely charged from the external power supply

Table 6.37: Allowed Values for Battery Status

NOTE: Battery status notification defined in this specification is expected to be deprecated in favor of Attribute profile specification in the future.

Response Data format for EVENT\_SYSTEM\_STATUS\_CHANGED

Parameters	Size (octets)	Description	Allowed Values
EventID	1	Specific EventID	EVENT_SYSTEM_STATUS_CHANGED (0x07)
SystemStatus	1	Indicates the current System status.	POWER_ON (0x00) POWER_OFF (0x01) UNPLUGGED (0x02)

Table 6.38: Response EVENT\_SYSTEM\_STATUS\_CHANGED

POWER\_OFF and UNPLUGGED are used for Bluetooth Accessories which attach to Media Players. In this case, it will happen that Audio Player's power state is "POWER OFF" or Audio Player is detached from Bluetooth Adapter (UNPLUGGED)

Response Data format for EVENT\_PLAYER\_APPLICATION\_SETTING\_CHANGED

Parameters	Size (octets)	Description	Allowed Values
EventID	1	Specific EventID	EVENT_PLAYER_APPLICATION_SETTING_CHANGED (0x08)
NumPlayerApplicationSettingAttributes(N)	1	Number of player application setting attributes that follow	1-255

Parameters	Size (octets)	Description	Allowed Values
PlayerApplicationSettingAttributeID1	1	Player application setting attribute ID for which the value is returned	1-255
PlayerApplicationSettingValueID1	1	Currently set Player Application Setting value on the TG for the above PlayerApplicationSettingAttributeID.	Valid PlayerApplicationSettingValueID values, or defined as part of Appendix F
And so on for the number of attributes specified by the NumPlayerApplicationSettingAttributes(N) and their values. Note that as settings may be added or removed all player application settings are returned to enable the CT to determine which settings have changed.			

Table 6.39: Response EVENT\_PLAYER\_APPLICATION\_SETTING\_CHANGED

Other notification event response formats are documented with the group of functionality to which they apply.

- Addressed Player Changed [6.9.2](#)
- Available Players Changed [6.9.4](#)
- Now Playing Content Changed [6.9.5](#)
- UIDs Changed [6.10.3.3](#)
- Volume Changed [6.13.3](#)

## 6.8 Continuation PDUs

### 6.8.1 RequestContinuingResponse

This primitive is used by CT to request for continuing response packets for the sent PDU command that has not completed. This command will be invoked by CT after receiving a response with <Packet Type – Start(01) or Continue(10)>.

Continuation is needed to deal with the 512 byte limit on AV/C frames. Because of this it is only needed on the Control channel. It shall not be used on the Browsing channel.

Command Format (RequestContinuingResponse)

Parameters	Size (octets)	Description	Allowed Values
ContinuePDU_ID	1	Target PDU_ID for continue command	PDU_ID

Table 6.40: RequestContinuingResponse command

Response Format (RequestContinuingResponse)

The response for this command is the pending data for the previous command invoked by CT. Refer to [Figure 26.5 in Appendix J: List of Example MSCs of different AVRCP Specific Commands \(informative\)](#) and [Section 22.8 in Appendix D](#). See also [Section 6.3.1](#).

## 6.8.2 AbortContinuingResponse

This primitive is used by CT to abort continuing response. This command will be invoked by CT after receiving a response with <Packet Type – Start(01) or Continue(10)>. Refer to [Figure 26.6 in Appendix J: List of Example MSCs of different AVRCP Specific Commands \(informative\)](#).

Command Format (AbortContinuingResponse)

Parameters	Size (octets)	Description	Allowed Values
ContinueAbort PDU_ID	1	Target PDU_ID for abort continue command	PDU_ID

Table 6.41: AbortContinuingResponse command

Response Format (AbortContinuingResponse)

Parameters	Size (octets)	Description	Allowed Values
None			

Table 6.42: AbortContinuingResponse response

## 6.9 Media Player Selection

The player to which the AV/C Panel Subunit [2] shall route control commands is the addressed player. This may be changed locally on the TG, or by the CT using the SetAddressedPlayer command. When the addressed player changes the TG shall complete all outstanding player dependent notifications. The TG shall ensure it has a default Addressable player to ensure interoperability with any CT which does not use the SetAddressedPlayer command, such as one implementing an earlier version of AVRCP. If no players are available the TG shall return an error response with the error code No Available Players. Note that available means that a player can be accessed via AVRCP with no user interaction locally on the TG. It does not imply that the media player application must be currently running.

The player to which AVRCP shall route browsing commands is the browsed player. The browsed player is an AVRCP concept and is independent of any media browsing which occurs locally on the TG device. This means that there is no notification for the browsed player corresponding to the ADDRESSED\_PLAYER\_CHANGED notification. However, as UIDs in the virtual Media Player filesystem and the search results (see Section 6.10.3) are scoped to the Browsed Player then when the CT changes the Browsed Player the TG shall complete the EVENT\_UIDS\_CHANGED notification if it is outstanding.

### 6.9.1 SetAddressedPlayer

Command	Command Parameters	Response Parameters
SetAddressedPlayer	PlayerId	Status

The Set Addressed Player command is used to inform the TG of which media player the CT wishes to control. Since the TG may also be controlled locally it is recommended that the CT also makes use of Section 6.9.2 Addressed Player Changed Notification.

The player is selected by its Player Id.

Positive confirmation of the Set Addressed Player command by the TG indicates the opening of the player has started. Successful completion of the opening is indicated by the TG via the Addressed Player Changed Notification; see Section 6.9.2. Before having received the successful Addressed Player Changed Notification, the CT should not send any player specific command to the TG. In case the TG receives any player specific command for a player not yet successfully opened, it should reply with Error Code 0x13 (Player Not Addressed).

When the addressed player is changed, whether locally on the TG or explicitly by the CT, the TG shall complete notifications following the mechanism described in Section 6.9.2.

The parameters for the Set Addressed Player command and response are given in Section 6.9.1.1 and Section 6.9.1.2. An example of a SetAddressedPlayer command is given in Section 22.11.

#### 6.9.1.1 Command Parameters

Player Id – 2 Octets

Value	Parameter Description
0xXXXX	Unique Media Player Id as defined in Section 6.10.2.1

#### 6.9.1.2 Response Parameters

Status – 1 Octet

Value	Parameter Description
Status as defined in Section 6.15.3	The result of the SetAddressedPlayer operation. If an error has occurred then this is the only field present in the response.

### 6.9.2 Addressed Player Changed Notification

The addressed player changed notification allows the CT to be informed if the addressed player on the TG is changed.

This is an event which may be used for the Register Notification command described in Section 6.7.2, which is a vendor dependent AV/C Notify. The response format for this event is the Player Id of the addressed player.

The interim response to the Notify shall contain the Player Id of the current addressed player. If the CT registers this Notify before sending a SetAddressedPlayer command the interim response contains the Player Id of the default player on the TG.

The response parameters are given in Section 6.9.2.1. The command parameters are described in Section 6.7.2. It should be noted that the 4 octet playback interval field is present in the command parameters due to the definition of the Register Notification command but is ignored for this event.

An example PDU for this command is given in Section 22.12.

### 6.9.2.1 Response Parameters

Player Id – 2 Octets

Value	Parameter Description
0xXXXX	Unique Media Player Id as defined in Section 6.10.2.1

UID Counter – 2 Octets

Value	Parameter Description
0xXXXX	UID Counter as defined in Section 6.10.3

### 6.9.2.2 Procedure on Addressed Player Changed

On completion of the Addressed Player Changed notification the TG shall complete all player specific notifications with AV/C C-Type REJECTED with error code Addressed Player Changed. Which notifications are defined as player specific is defined in Table 6.43 Completion of notifications on addressed player changed.

Notification	Completed on Addressed Player Changed
EVENT_PLAYBACK_STATUS_CHANGED	Yes
EVENT_TRACK_CHANGED	Yes
EVENT_TRACK_REACHED_END	Yes
EVENT_TRACK_REACHED_START	Yes
EVENT_PLAYBACK_POS_CHANGED	Yes
EVENT_BATT_STATUS_CHANGED	No
EVENT_SYSTEM_STATUS_CHANGED	No
EVENT_PLAYER_APPLICATION_SETTING_CHANGED	Yes
EVENT_AVAILABLE_PLAYERS_CHANGED	No
EVENT_VOLUME_CHANGED	No
EVENT_NOW_PLAYING_CONTENT_CHANGED	Yes
EVENT_UIDS_CHANGED	No

Table 6.43 Completion of notifications on addressed player changed

### 6.9.3 SetBrowsedPlayer

Command	Command Parameters	Response Parameters
SetBrowsedPlayer	PlayerId	Status, UID Counter, Number of Items, Character Set Id, Folder Depth, Folder Name Size, Folder Name

The SetBrowsedPlayer command is used to control to which player browsing commands should be routed. It shall be sent successfully before any other commands are sent on the browsing channel except GetFolderItems in the Media Player List scope. If the browsed player has become unavailable the SetBrowsedPlayer command shall be sent successfully again before further commands are sent on the browsing channel.

Some players may support browsing only when set as the Addressed Player. This is shown in the player feature bitmask (see Section 6.10.2.1). If a SetBrowsedPlayer command is received by the TG for a Player Id which does not support browsing while not addressed it shall return the PlayerNotAddressed error in the status field of the response.

The response contains the current browsed path of the player. This is built up through a sequence of name/value pairs as illustrated in the example response in Table 6.44 Example Set Browsed Player Response PDU. This example shows a successful switch to a browsed player with the current directory DEF, which is the child of the folder BC, which itself is the child of the root folder A. In this example the names are in UTF-8. As with other commands the character set shall only be UTF-8 or a character set which the CT has informed the TG it supports, using the InformDisplayableCharacterSet command (Section 6.5.7).

On completion of the Set Browsed Player command the TG shall complete the EVENT\_UIDS\_CHANGED notification with AV/C CType rejected if it is outstanding.

MSB		LSB
Status 0x04	UID Counter – 0x1357	Number of Items MSB 0x00
Number of Items LSB 0x000005		Char Set MSB 0x00
Char Set LSB 0x6A	Folder Depth 0x03	Folder Name Length 0x0001
'A' 0x41	Folder Name Length 0x0002	'B' 0x42
'C' 0x43	Folder Name Length 0x0003	'D' 0x44
'E' 0x45	'F' 0x46	

Table 6.44 Example Set Browsed Player Response PDU

### 6.9.3.1 Command Parameters

Player Id – 2 Octets

Value	Parameter Description
0xXXXX	Unique Media Player Id as defined in Section 6.10.2.1

### 6.9.3.2 Response Parameters

Status – 1 Octet

Value	Parameter Description
Status as defined in Section 6.15.3	The result of the SetBrowsedPlayer operation. If an error has occurred then this is the only field present in the response.

UID Counter – 2 Octets

Value	Parameter Description
0xXXXX	UID Counter as defined in Section 6.10.3

Number of Items – 4 Octets

Value	Parameter Description
0xFFFFFFFF	If the SetBrowsedPlayer succeeded the number of items in the current folder. If the SetBrowsedPlayer did not succeed the value of this parameter shall be ignored.

Character Set Id – 2 Octets

Value	Parameter Description
0XXXXX	Specifies the character set ID to be displayed on CT as defined in IANA character set document, see [11].

Folder Depth – 1 Octet

Value	Parameter Description
0xXX	The number of Folder Name Length/Folder Name pairs which follow

6.9.3.2.1 Folder Name Length/Folder Name pair

The following two fields together comprise a Folder Name Length/Folder Name pair. They are repeated together *Folder Depth* times, each pair representing one folder level.

Folder Name Length – 2 Octets

Value	Parameter Description
0XXXXX	The length in octets of the folder name which follows.

Folder Name – *Folder Name Length* Octets

Value	Parameter Description
String of length <i>Folder Name Length</i> octets in character set <i>Character Set</i> .	The name of this folder

6.9.4 Available Players Changed Notification

The available players changed notification event allows the CT to be informed if a new player becomes available to be addressed (for instance started, or installed) or if a player ceases to be available.

This is an event which may be used for the Register Notification command described in Section 6.7.2, which is a vendor dependent AV/C Notify. The interim and final responses to the notify shall contain no parameters.

An example PDU for this command is given in Section 22.13.

Note that to view information about available players, such as their status, the Media Player List may be browsed (see Section 6.10.4.2). If the Media Player List is browsed as reaction to the EVENT\_AVAILABLE\_PLAYERS\_CHANGED, the CT should register the EVENT\_AVAILABLE\_PLAYERS\_CHANGED again before browsing the Media Player list in order to get informed about intermediate changes of the available players.

### 6.9.5 Notify Now Playing Content Changed

The Now Playing Content Changed notification allows a CT to be informed when the content of the NowPlaying folder for the Addressed Player is changed. The notification should not be completed if only the track has changed or the order of the tracks on the now playing list has changed.

This is an event which may be used for the Register Notification command described in Section 6.7.2, which is a vendor dependent AV/C Notify. The interim and final responses to the notify shall contain no parameters.

An example PDU for this command is given in Section 22.14.

Note that to retrieve the content of the NowPlaying folder, the NowPlaying folder can be browsed (see Section 6.10.4.2). If the NowPlaying folder is browsed as reaction to the EVENT\_NOW\_PLAYING\_CONTENT\_CHANGED, the CT should register the EVENT\_NOW\_PLAYING\_CONTENT\_CHANGED again before browsing the NowPlaying folder in order to get informed about intermediate changes in that folder.

## 6.10 Media Content Navigation

### 6.10.1 Scope

There are four scopes in which media content navigation may take place. Table 6.45: Scopes summarizes them and they are described in more detail in the following sections.

	Value	Valid Browseable Items (see section 6.10.2)	Description	Applicable Player
<b>Media Player List</b>	0x00	Media Player Item	Contains all available media players	None
<b>Media Player Virtual Filesystem</b>	0x01	Folder Item Media Element Item	The virtual filesystem containing the media content of the browsed player	Browsed
<b>Search</b>	0x02	Media Element Item	The results of a search operation on the browsed player	Browsed
<b>Now Playing</b>	0x03	Media Element Item	The Now Playing list (or queue) of the addressed player	Addressed

Table 6.45: Scopes

#### 6.10.1.1 Media Player List

The Media Player list contains available media players. When the contents of this scope changes, that is a media player is added or removed, any outstanding AvailablePlayerNotification shall be completed.

Once the connection between the TG and the CT has been established the TG shall not require user interaction to use a feature described in that player's Player Feature Bitmask when the CT controls the TG. For instance the TG shall not ask the user if the CT is allowed to perform a search once a connection is established.



If the Addressed Player ceases to be available the procedure for a TG initiated Addressed Player Changed procedure described in Section 6.9.2.2 shall be followed.

If the Browsed Player ceases to be available the TG shall complete all commands which require a selected Browsed Player with an error until the CT selects a new Browsed Player.

### 6.10.1.2 Media Player Virtual Media Filesystem

The filesystem presented to the CT is a virtual one. The virtual filesystem is hierarchical. Only one virtual filesystem is presented at a time. The player selected as the browsed player is the player whose virtual filesystem is presented.

Each folder in a tree is a group of zero, one or more items. Each item can be either a folder or a media element playable by the player in whose folder tree the element is located. A specific media element can be present at more than one location within the virtual filesystem.

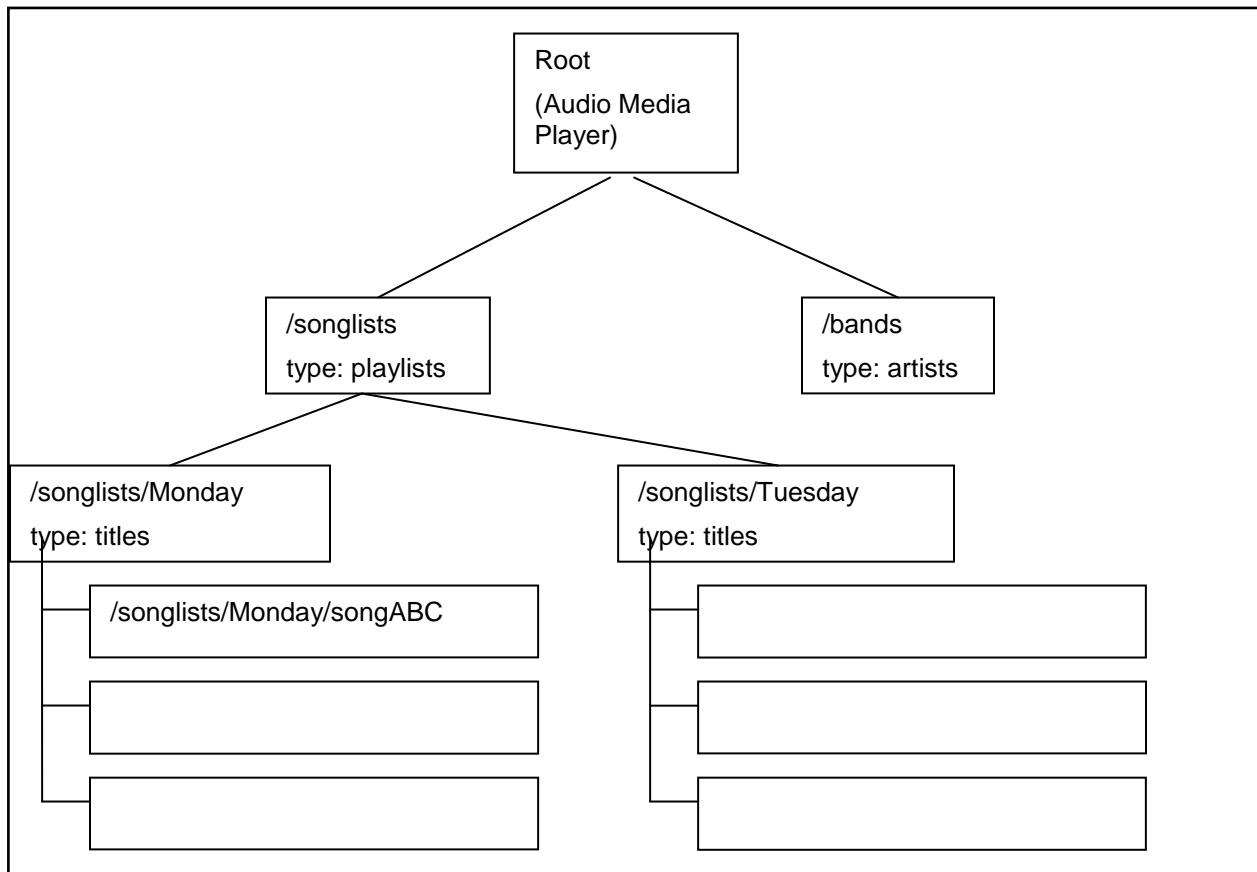


Figure 6.1 Virtual filesystem example

Folders present in the filesystem have properties that can be discovered by the CT during browsing. These properties specify the content type of the folder, e.g. playlist, album, artist. This allows browsing by type, icon based user interfaces and localization. The total number of items contained in the folder may also be available.

The TG shall only present items in the media filesystem if they are folders or if they are supported media items.

The structure of the filesystem below the level of the media player root is implementation dependent.

#### **6.10.1.3 Search**

The search scope contains the results of the most recently performed search, if they are still valid. For more details on the search scope refer to Section [6.10.1.3](#).

Note that some media players do not support search. This can be determined by browsing the Media Player list and retrieving the Media Player Item for the required Media Player. The Player Feature Bitmask (Section [6.10.2.1](#)) includes a bit indicating support for Search.

#### **6.10.1.4 Now Playing**

The Now Playing scope contains the items in the Now Playing list, or queue of the addressed media player.

Support of the Now Playing folder is mandatory if Browsing is supported (otherwise it is optional). In the case where the media player does not natively support a Now Playing folder it may present a folder containing one item, the currently playing media element, as would be returned by a GetElementAttributes command with the now playing UID.

The ordering in which the items in the Now Playing folder are presented over AVRCP shall be the same as they are presented on the local TG user interface.

### **6.10.2 Browseable Items**

#### **6.10.2.1 Media Player Item**

There are currently four base types of media player, audio player (for example mp3 player), video player (for example mpeg4 player), broadcasting audio player (for example FM radio) and broadcasting video player (for example DVB-H tuner). These are generic base types into which any player should fall. These are defined in the Bluetooth Assigned Numbers. The types distinguish between players which are liable to need to be controlled in different manners, for example a pause command may not be accepted on a broadcasting player. These are represented by a bitmask, so a player may fall into more than one of these major types. Note that it is up to each player to advertise itself appropriately for user's convenience.

To allow further differentiation to be performed subtypes are defined. These are defined in the Bluetooth Assigned numbers. There are two defined subtypes, Audio Book player and Podcast player. Future subtypes may be defined in the Bluetooth Assigned Numbers. These are both subtypes of the audio player type. This field is also a bitmask.

The Play Status field can be used by the CT to learn which players are currently playing without having to switch the Addressed Player between all players to explicitly request each player's status separately (Note that on some TGs, switching the Addressed Player might result in stopping a player's audio stream).

Each Player on a TG announces its features to the CT in the PlayerFeatureBitmask. This allows the CT to only offer functions to the user that are available on the current player. Although the SDP record is used to indicate what the AVRCP implementation is capable of supporting this does not mean that all players present on the device have equal capabilities. The Player Feature Bitmask provides finer grained information on the capabilities of a specific player. Because it is player specific it shall be used in preference to the SDP record if the CT requires information about a specific player.

The Advanced Control Player bit indicates that the player supports AVRCP v1.4 or above. For legacy players below AVRCP v1.4, the PlayerFeatureBitmask shall be handled by the underlying Bluetooth stack that routes the commands to the different players. In that case, the feature bits shall be set to reflect the supported Categories and the CT shall be aware that these capabilities only give a hint of the TG features.

#### Item Type – 1 Octets

Value	Parameter Description
0x01	Media Player Item

#### Item Length – 2 Octets

Value	Parameter Description
0xXXXX	Length of media player item in octets, not including <i>Item Type</i> and <i>Item Length</i> fields.

#### Player Id – 2 Octets

Value	Parameter Description
0xXXXX	A unique identifier for this media player.

#### Major Player Type – 1 Octet

Value	Parameter Description
Bit 0 (0x01)	Audio
Bit 1 (0x02)	Video
Bit 2 (0x04)	Broadcasting Audio
Bit 3 (0x08)	Broadcasting Video
Bit 4 – 7	Reserved (Additional Major PlayerTypes may be defined in Bluetooth Assigned Numbers <a href="#">[6]</a> )

#### Player Sub Type – 4 Octets

Value	Parameter Description
Bit 0 (0x00000001)	Audio Book
Bit 1 (0x00000002)	Podcast
Bit 2 - 31	Reserved (Additional Sub Types may be defined in Bluetooth Assigned Numbers <a href="#">[6]</a> )

#### Play Status – 1 Octet

Value	Parameter Description
0x00	Stopped
0x01	Playing
0x02	Paused
0x03	Fwd Seek
0x04	Rev Seek
0x05-0xfe	Reserved

Value	Parameter Description
0xff	Error

Feature Bit Mask – 16 Octets

No.	Parameter Description	Octet	Bit
0	Select. This PASSTHROUGH command is supported.	0	0
1	Up. This PASSTHROUGH command is supported.	0	1
2	Down. This PASSTHROUGH command is supported.	0	2
3	Left. This PASSTHROUGH command is supported.	0	3
4	Right. This PASSTHROUGH command is supported.	0	4
5	right-up. This PASSTHROUGH command is supported.	0	5
6	right-down. This PASSTHROUGH command is supported.	0	6
7	left-up. This PASSTHROUGH command is supported.	0	7
8	left-down. This PASSTHROUGH command is supported.	1	0
9	root menu. This PASSTHROUGH command is supported.	1	1
10	setup menu. This PASSTHROUGH command is supported.	1	2
11	contents menu. This PASSTHROUGH command is supported.	1	3
12	favorite menu. This PASSTHROUGH command is supported.	1	4
13	Exit. This PASSTHROUGH command is supported.	1	5
14	0. This PASSTHROUGH command is supported.	1	6
15	1. This PASSTHROUGH command is supported.	1	7
16	2. This PASSTHROUGH command is supported.	2	0
17	3. This PASSTHROUGH command is supported.	2	1
18	4. This PASSTHROUGH command is supported.	2	2
19	5. This PASSTHROUGH command is supported.	2	3
20	6. This PASSTHROUGH command is supported.	2	4
21	7. This PASSTHROUGH command is supported.	2	5
22	8. This PASSTHROUGH command is supported.	2	6
23	9. This PASSTHROUGH command is supported.	2	7
24	Dot. This PASSTHROUGH command is supported.	3	0
25	Enter. This PASSTHROUGH command is supported.	3	1
26	Clear. This PASSTHROUGH command is supported.	3	2
27	channel up. This PASSTHROUGH command is supported.	3	3
28	channel down. This PASSTHROUGH command is supported.	3	4
29	previous channel. This PASSTHROUGH command is supported.	3	5
30	sound select. This PASSTHROUGH command is supported.	3	6
31	input select. This PASSTHROUGH command is supported.	3	7
32	Display information. This PASSTHROUGH command is supported.	4	0
33	Help. This PASSTHROUGH command is supported.	4	1
34	page up. This PASSTHROUGH command is supported.	4	2
35	page down. This PASSTHROUGH command is supported.	4	3
36	Power. This PASSTHROUGH command is supported.	4	4
37	volume up. This PASSTHROUGH command is supported.	4	5
38	volume down. This PASSTHROUGH command is supported.	4	6
39	Mute. This PASSTHROUGH command is supported.	4	7
40	Play. This PASSTHROUGH command is supported.	5	0
41	Stop. This PASSTHROUGH command is supported.	5	1
42	Pause. This PASSTHROUGH command is supported.	5	2
43	Record. This PASSTHROUGH command is supported.	5	3
44	Rewind. This PASSTHROUGH command is supported.	5	4
45	fast forward. This PASSTHROUGH command is supported.	5	5
46	Eject. This PASSTHROUGH command is supported.	5	6
47	Forward. This PASSTHROUGH command is supported.	5	7

No.	Parameter Description	Octet	Bit
48	Backward. This PASSTHROUGH command is supported.	6	0
49	Angle. This PASSTHROUGH command is supported.	6	1
50	Subpicture. This PASSTHROUGH command is supported.	6	2
51	F1. This PASSTHROUGH command is supported.	6	3
52	F2. This PASSTHROUGH command is supported.	6	4
53	F3. This PASSTHROUGH command is supported.	6	5
54	F4. This PASSTHROUGH command is supported.	6	6
55	F5. This PASSTHROUGH command is supported.	6	7
56	Vendor unique. This PASSTHROUGH command is supported.	7	0
57	Basic Group Navigation. This overrides the SDP entry as it is set per player. <sup>7</sup>	7	1
58	Advanced Control Player. This bit is set if the player supports at least AVRCP 1.4.	7	2
59	Browsing. This bit is set if the player supports browsing.	7	3
60	Searching. This bit is set if the player supports searching.	7	4
61	AddToNowPlaying. This bit is set if the player supports the AddToNowPlaying command.	7	5
62	UIDs unique in player browse tree. This bit is set if the player is able to maintain unique UIDs across the player browse tree.	7	6
63	OnlyBrowsableWhenAddressed. This bit is set if the player is only able to be browsed when it is set as the Addressed Player.	7	7
64	OnlySearchableWhenAddressed. This bit is set if the player is only able to be searched when it is set as the Addressed player.	8	0
65	NowPlaying. This bit is set if the player supports the NowPlaying folder. Note that for all players that support browsing this bit shall be set.	8	1
66	UIDPersistency. This bit is set if the Player is able to persist UID values between AVRCP Browse Reconnects, see Section 6.10.3.2.	8	2
67-127	Reserved		

Table 6.46 Player Feature Bitmask

Character Set ID – 2 Octets

Value	Parameter Description
0xXXXX	Specifies the character set ID to be displayed on CT as defined in IANA character set document, see [11].

Displayable Name Length – 2 Octets

Value	Parameter Description
0xXXXX	Length of Displayable Name in octets. The name length shall be limited such that a response to a GetFolderItems containing one media player item fits within the maximum size of AVRCP PDU which can be received by the CT.

Displayable Name – Displayable Name Length Octets

Value	Parameter Description
String	Displayable name of player

6.10.2.2 Folder Item

Each folder has a type to indicate what it contains. Examples of this are given in [Figure 6.1 Virtual filesystem example](#). Folders of type Titles shall contain media elements only. The Mixed folder type is used for any folder whose type is not known, or is a

combination, for example a folder which contains media elements and subfolders. All other folder types contain only folders. It is recommended that the TG assign any folder containing media elements the type Titles if it contains only media elements, or Mixed if it contains both media elements and subfolders.

The Folder Type can be used by the CT to improve user experience, e.g. to display fixed icons for each type to the user.

The allowable values of Folder Type are defined in the Bluetooth Assigned Numbers [6].

#### Item Type – 1 Octet

Value	Parameter Description
0x02	Folder Item

#### Item Length – 2 Octets

Value	Parameter Description
0xFFFF	Length of folder item in octets, not including Item Type and Item Length fields.

#### Folder UID – 8 Octets

Value	Parameter Description
0xFFFFFFFFFFFFFFFF	UID as defined in Section 6.10.3

#### Folder Type – 1 Octet

Value	Parameter Description
0x00	Mixed
0x01	Titles
0x02	Albums
0x03	Artists
0x04	Genres
0x05	Playlists
0x06	Years
0x07 – 0xFF	Reserved

#### Is Playable – 1 Octet

Value	Parameter Description
0x00	The folder cannot be played. This means that the folder UID shall not be passed to either the PlayItem or AddToNowPlaying commands.
0x01	The folder can be played. The folder UID may be passed to the PlayItem and AddtoNowPlaying (if supported) commands. The media player behavior on playing a folder should be same as on the local user interface.
0x02 - 0xFF	Reserved

#### Character Set ID – 2 Octets

Value	Parameter Description
0xFFFF	Specifies the character set ID to be displayed on CT as defined in IANA character set document, see [11].

Displayable Name Length – 2 Octets

Value	Parameter Description
0xXXXX	Length of Displayable Name in octets. The name shall be limited such that a response to a GetFolderItems containing one folder item fits within the maximum size of PDU which can be received by the CT.

Displayable Name – Displayable Name Length Octets

Value	Parameter Description
String	Displayable name of folder

**6.10.2.3 Media Element Item**

Each media element is identified by a UID.

The allowable values for Media Type are defined in the Bluetooth Assigned Numbers [6].

Item Type – 1 Octet

Value	Parameter Description
0x03	Media Element Item

Item Length – 2 Octets

Value	Parameter Description
0xXXXX	Length of media element item in octets, not including Item Type and Item Length fields.

Media Element UID – 8 Octets

Value	Parameter Description
0XXXXXXXXXXXXXXXXXX	UID as defined in Section 6.10.3

Media Type – 1 Octet

Value	Parameter Description
0x00	Audio
0x01	Video
0x02-0xFF	Reserved

Character Set ID – 2 Octets

Value	Parameter Description
0xXXXX	Specifies the character set ID to be displayed on CT as defined in IANA character set document, see [11].

Displayable Name Length – 2 Octets

Value	Parameter Description
0xXXXX	Length of Displayable Name in octets. The name shall be limited such that a response to a GetFolderItems containing one media player item fits within the maximum size of PDU which can be received by the CT.

Displayable Name – Displayable Name Length Octets

Value	Parameter Description
String	Displayable name of Media Element Item.

Number of Attributes – 1 Octet

Value	Parameter Description
0xXX	The number of attributes included with this media element item

Attribute Value Entry – repeated Number of Attributes times

Value	Parameter Description
An Attribute Value Entry list as defined in Section <a href="#">6.10.2.3.1</a>	The attributes in the list will be controlled by the request that has caused this Media Element Item to be returned.

**6.10.2.3.1 Attribute Value Entry**

The following four fields (Attribute ID, Character Set ID, Attribute Value Length and Attribute Value) together comprise an Attribute Value Entry.

Attribute ID – 4 Octets

Value	Parameter Description
0XXXXXXXXX	Attribute ID as defined in Section <a href="#">23</a>

Character Set ID – 2 Octets

Value	Parameter Description
0XXXXX	Specifies the character set ID to be displayed on CT as defined in IANA character set document, see <a href="#">[11]</a> .

Attribute Value Length – 2 Octets

Value	Parameter Description
0XXXXX	Length of the value of this attribute

Attribute Value – *Attribute Value Length* Octets

Value	Parameter Description
String	The value of this attribute, in the specified character set

**6.10.3 UIDs**

Media elements are identified within the virtual filesystem by an 8 octet identifier, the UID. The UID shall be unique within a scope with the exception of the Virtual Media Player Filesystem on database unaware media players as described in Section [6.10.3.1](#). Scope is defined in Section [6.10.1.2](#).

Within the Virtual Media Player Filesystem a UID uniquely identifies a Media Element Item. If the same Media Element Item is present at more than one location in the Virtual Media Player Filesystem then it may have the same UID in each location. Within the Now Playing list a UID uniquely identifies a Media Element Item. If the same Media



Element Item is present at more than one location in the Now Playing list each instance shall have a different UID.

The value of UID=0x0 is a special value used only to request the metadata for the currently playing media using the GetElementAttributes command and shall not be used for any item in a folder.

The UID shall be used whenever a media element is required to be identified. For example it may be used in conjunction with the GetItemAttributes command to obtain metadata information about a specific media element, or in combination with ChangePath to change to a specific folder.

The UID scope is limited to one player, even if that player may have unique UIDs across its virtual filesystem. For example a media element with the UID 1 in the folder hierarchy for player 1 may be a different media element to that with the UID 1 in the folder hierarchy for player 2.

There are two different ways a Media Player on a target may handle the UID, depending on the nature of the Media Player: Database Aware (with UID change detection) and Database Unaware (without UID change detection). UID handling is specific to a player, and different players on the same TG device may behave in different ways. Support for UID change detection is indicated in the media player feature bitmask (see Table 6.46 Player Feature Bitmask). Database aware players shall maintain a UID counter that is incremented whenever the database changes.

#### **6.10.3.1 Database Unaware Players (Without UID change detection)**

Some media players may not have the ability to detect when UIDs cease to be valid. For these the scope in the media browsing tree is limited to one folder at a time, that is when the current path is changed all current UIDs cease to be valid. Therefore, the CT shall always update its UID information after each change of path and not rely on any UIDs stored from previous visits to a folder. Database Unaware Players shall always return UIDcounter=0. Database Unaware Players may use the UIDsChangedNotification to indicate changes to the Media Database.

#### **6.10.3.2 Database Aware Players (With UID change detection)**

Database Aware players are aware of any change to their Media database. They shall ensure the UID is unique across the entire media browsing tree. Any change to the Media Database shall result in an increase of the UIDcounter and a UIDsChangedNotification.

The unique identifier may persist between AVRCP Browse Reconnects, but is not required to do so. However the TG should try to persist the UIDs for as long as possible and should only change them when there is a change in available media content. The player application on the TG shall announce in its feature bitmask whether it is able to persist UIDs between AVRCP Browse Reconnects. An AVRCP Browse Reconnect occurs whenever the browsed player is switched with the SetBrowsedPlayer command. This may be the result of the CT changing the browsed player, or may be as a result of the underlying AVCTP browsing channel having been released and established again.

The UID counter shall be incremented every time the TG makes an update which invalidates existing UIDs, skipping the value 0. The TG should ensure that the amount by which the counter is incremented is small, to avoid the counter wrapping frequently. The initial value of the UID counter, including the situation when the UID counter is not persisted between AVRCP Browse Reconnects, shall be a random value between 1 and 65535. This reduces the chance of the UID counter incorrectly indicating no change for the players where UID counter is not persisted between AVRCP Browse Reconnects or in case if the TG has been reset to factory settings.

If the TG has a UID counter value not equal to the UID counter value on the CT then any UIDs cached on the CT are invalid. Any UID dependent information cached on the CT is therefore invalid.

The TG should keep UIDs as persistent as possible to avoid situations such as the CT retrieving a folder listing, and then the UIDs becoming invalid before the CT performs an operation. Only circumstances such as a change of available media (e.g. insertion of memory card) or local error conditions (e.g. out of memory) should cause the TG to regenerate UIDs. The TG should have a sensible strategy to minimize UID changes in circumstances where there is liable to be a burst of changes to media. For example if a TG device is to be synchronized with a remote media library it should only update UIDs once the synchronization process is complete.

#### **6.10.3.3 UIDs Changed Notification**

To enable the CT to detect when the UIDs have changed on the TG it may register a notification for the event `EVENT_UIDS_CHANGED`.

This is an event which may be used for the Register Notification command described in Section 6.7.2, which is a vendor dependent AV/C Notify.

A database unaware player may accept and complete UIDs changed notifications as it may be able to detect some changes to the available media. However it should be noted that the UID counter value shall always be 0.

Note that to refresh UID information after having received an `EVENT_UID_CHANGED`, the Media Player Virtual Filesystem may be browsed (see Section 6.10.4.2). If the Media Player Virtual Filesystem is browsed as reaction to the `EVENT_UIDS_CHANGED`, the CT should register the `EVENT_UIDS_CHANGED` again before browsing the Media Player Virtual Filesystem in order to get informed about intermediate changes within the filesystem.

The response parameters for this event are defined in Section 6.10.3.3.1. As with all Register Notifications the response parameters are the same for the Interim and Final responses.

An example PDU for this command is given in Section 22.15.

### 6.10.3.3.1 Response Parameters

UID Counter – 2 Octets

Value	Parameter Description
0xXXXX	The UID Counter of the currently browsed player as defined in Section 6.10.3

### 6.10.4 Browsing Commands

Browsing commands are used to retrieve information about the available browsable items.

Some players may not support browsing of the media player tree or search results unless the Browsed Player is set to the Addressed Player. This is indicated in the player feature bitmask.

#### 6.10.4.1 ChangePath

Command	Command Parameters	Response Parameters
ChangePath	UID Counter, Direction, FolderUID	Status, Number of Items

The ChangePath command is used to navigate the virtual filesystem. This command allows the CT to navigate one level up or down in the virtual filesystem

##### 6.10.4.1.1 Command Parameters

UID Counter – 2 Octets

Value	Parameter Description
0xXXXX	The UID Counter as defined in Section 6.10.3

Direction – 1 Octet

Value	Parameter Description
0x00	Folder Up
0x01	Folder Down
0x02-0xFF	Reserved

Folder UID – 8 Octets

Value	Parameter Description
0XXXXXXXXXXXXXXXXXX	The UID of the folder to navigate to. This may be retrieved via a GetFolderItems command. If the navigation command is Folder Up this field is reserved.

##### 6.10.4.1.2 Response Parameters

Status – 1 Octet

Value	Parameter Description
Status as defined in Section 6.15.3	The result of the ChangePath operation. If an error has occurred then this is the only field present in the response.

Number of Items – 4 Octets

Value	Parameter Description
0XXXXXXXX	If the ChangePath succeeded the number of items in the folder which has been changed to, i.e. the new current folder.

6.10.4.2 GetFolderItems

Command	Command Parameters	Response Parameters
GetFolderItems	Scope, Start Item, End Item, Attribute Count, Attribute List	Status, UID Counter, Number of Items, Item List

This PDU can be used to retrieve a listing of the contents of a folder. The CT may specify a range of entries to be returned. This means that a CT which can only display a limited number of items can obtain a listing one part at a time as the user scrolls the display. If possible, the returned list should resemble the order used on the local display on the TG, but should list all folder items before media element items to facilitate browsing on the CT.

To allow the CT to request specific Metadata Attributes be returned along with each media element in the folder listing the command shall include a filter specifying which metadata attributes are requested to be returned by the TG. The TG should provide the available attribute values in the response. The TG is not required to provide a value for all requested attributes.

The CT should not issue a GetFolderItems command to an empty folder. If the TG receives a GetFolderItems command for an empty folder then the TG shall return the error (= Range Out of Bounds) in the status field of the GetFolderItems response.

In some situations the CT may issue a command where the response with full data would exceed the maximum size of AVRCP PDU which the CT can handle. In this case the TG should prefer to return complete items. So if four items were requested with three attributes each then the TG should return as many items as can be returned with full attribute data. If the response containing only one item still exceeds the size which can be handled by the CT then the TG should return less attributes than are requested.

6.10.4.2.1 Command Parameters

Scope – 1 Octet

Value	Parameter Description
0xXX	Scope as defined in Section <a href="#">6.10.1</a>

Start Item – 4 Octets

Value	Parameter Description
0XXXXXXXX	The offset within the listing of the item, which should be the first returned item. The first element in the listing is at offset 0.

End Item – 4 Octets

Value	Parameter Description
0xFFFFFFFF	The offset within the listing of the item which should be the final returned item. If this is set to a value beyond what is available the TG shall return items from the provided Start Item index to the index of the final item. If the End Item index is smaller than the Start Item index the TG shall return an error. If CT requests too many items, TG can respond with a sub-set of the requested items.

Attribute Count– 1 Octet

Value	Parameter Description
0x00	All attributes are requested. There is no following Attribute List.
0x01-0xFE	The following Attribute List contains this number of attributes.
0xFF	No attributes are requested. There is no following Attribute List.

Attribute List

Value	Parameter Description
Attribute Count Attributes as defined in Section 23	Attributes which are requested to be returned for each item returned.

6.10.4.2.2 Response Parameters

Status – 1 Octet

Value	Parameter Description
Status as defined in Section 6.15.3	The result of the GetFolderItems operation. If an error has occurred then this is the only field present in the response.

UID Counter – 2 Octets

Value	Parameter Description
0xFFFF	The UID Counter as defined in Section 6.10.3

Number of Items - 2 Octets

Value	Parameter Description
0xFFFF	The number of items returned in this listing

Item List

Value	Parameter Description
Items as defined in Sections 6.10.2.1, 6.10.2.2 and 6.10.2.3	The attributes returned with each item shall be the supported attributes from the list provided in the attribute list parameter of the request.

**6.10.4.3 GetItemAttributes**

Command	Command Parameters	Response Parameters
GetItemAttributes	Scope, UID, UID Counter, Number of Attributes, AttributeID list	Status, Number of Attributes, Attribute Value List

The GetItemAttributes command is used to retrieve the metadata attributes for a particular media element item or folder item. The PDU format is similar to that of the GetElementAttributes command, however the GetItemAttributes is sent over the browsing channel to the Browsed Player and is not encapsulated within an AV/C frame.

When the TG supports GetItemAttributes the CT shall use GetItemAttributes and not GetElementAttributes. To retrieve the Metadata for the currently playing track the CT should register to receive Track Changed Notifications. This shall then provide the UID of the currently playing track, which can be used in the scope of the Now Playing folder.

**6.10.4.3.1 Command Parameters**

Scope – 1 Octet

Value	Parameter Description
Scope as defined in Section 6.10.1	The scope in which the UID of the media element item or folder item is valid.

UID – 8 Octets

Value	Parameter Description
0XXXXXXXXXXXXXXXXXX	The UID of the media element item or folder item to return the attributes for as defined in Section 6.10.3. UID 0 shall not be used.

UID Counter – 2 Octets

Value	Parameter Description
0XXXXX	The UID Counter as defined in Section 6.10.3

Number of Attributes – 1 Octet

Value	Parameter Description
0xXX	The number of attribute IDs in the following Attribute ID list. If this value is zero then all attributes are requested.

Attribute ID – 4 Octets, repeated Number of Attributes times

Value	Parameter Description
0XXXXXXXX	Attribute ID as defined in Section 23

**6.10.4.3.2 Response Parameters**

Status – 1 Octet

Value	Parameter Description
Status as defined in Section 6.15.3	The result of the GetItemAttributes operation. If an error has occurred then this is the only field present in the response.

Number of Attributes – 1 Octet

Value	Parameter Description
0xXX	The number of Attribute Value Entries in the following Attribute Value Entry list.

Attribute Value Entry – repeated Number of Attributes times

Value	Parameter Description
An Attribute Value Entry list as defined in Section <a href="#">6.10.2.3.1</a>	The requested attributes for which the Media Player is able to determine a value should be included in this list. Although the media player may not include all requested attribute values if they are not available it shall not include values which were not requested.

## 6.11 Search

Command	Command Parameters	Response Parameters
Search	Character Set, Length, Search String	Status, UID Counter, Number of Items

This provides basic search functionality. Regular expressions shall not be supported. Search string interpretation by the TG should be consistent between the local user interface and AVRCP search.

Searches are performed from the current folder in the Browsed Players virtual filesystem. The search applies to the current folder and all folders below that.

The search result will be presented as a media element item listing, in the same format as listings of folder contents. This enables search results to be segmented as the CT may request specific subsets of the items in the search result listing. Search results are valid until:

- Another search request is performed or
- A UIDs Changed notification response is received
- The Browsed media player is changed

If a CT requests a portion of a search result after that search result has expired on the TG the TG shall return an error response indicating this.

The folder containing the search result has no defined UID. The CT shall use the GetFolderItems command with the scope set to Search to access the search result. The search result shall contain only media element items, not folder items.

Searching may not be supported by all players. Furthermore, searching may only be possible on some players when they are set as the Addressed Player. Support for search, and whether the player shall be set as addressed for search are indicated in the player feature bitmask. If a Search command is received by the TG for a Player Id which does not support search while not addressed it shall return the PlayerNotAddressed error in the status field of the response.

### 6.11.1 Command Parameters

Character Set Id – 2 Octets

Value	Parameter Description
0x006A	The value of UTF-8 as defined in IANA character set document, see [11].
All other values	Reserved

Length – 2 Octets

Value	Parameter Description
0xXXXX	The length of the search string in octets

Search String – *Length* Octets

Value	Parameter Description
String	The string to search on in the specified character set.

### 6.11.2 Response Parameters

Status – 1 Octet

Value	Parameter Description
Status as defined in Section 6.15.3	The result of the Search operation. If an error has occurred then this is the only field present in the response.

UID Counter – 2 Octets

Value	Parameter Description
0xXXXX	The UID Counter as defined in Section 6.10.3

Number of Items – 4 Octets

Value	Parameter Description
0XXXXXXXXX	The number of media element items found in the search

## 6.12 Item Operation

### 6.12.1 PlayItem

Command	Command Parameters	Response Parameters
PlayItem	Scope, UID, UID Counter	Status

The PlayItem command starts playing an item indicated by the UID. It is routed to the Addressed Player.

If a UIDs\_CHANGED event has happened on the TG, but not yet received by the CT, the CT may send PlayItem command with the previous UIDcounter. In this case a failure status shall be returned.

Sending PlayItem to the Addressed Player with the scope of Media Player Virtual Filesystem or Search shall result in the Now Playing folder being invalidated. The old content may not be valid any more or may contain additional items. What is put in the



NowPlaying folder depends on both the media player and its state; however the item selected by the PlayItem command shall be included.

Sending PlayItem on an item in the Now Playing item should not change the contents of the Now Playing Folder, the only effect is that the new item is played

The CT shall not send PlayItem with the scope of Media Player List.

The CT may send PlayItem with the UID of a Folder Item if the folder is playable (see Section 6.10.2.2). If a TG receives a PlayItem command with the UID of a type it cannot play it shall return a specific error to indicate this as defined in Section 6.15.3.

**6.12.1.1 Command Parameters**

Scope – 1 Octet

Value	Parameter Description
Scope as defined in Section 6.10.1	The scope in which the UID of the media element item or folder item, if supported, is valid.

UID – 8 Octets

Value	Parameter Description
0XXXXXXXXXXXXXXXXX	The UID of the media element item or folder item, if supported, to be played as defined in Section 6.10.3.

UID Counter – 2 Octets

Value	Parameter Description
0XXXXX	The UID Counter as defined in Section 6.10.3

**6.12.1.2 Response Parameters**

Status – 1 Octet

Value	Parameter Description
Status as defined in Section 6.15.3	The result of the PlayItem operation.

**6.12.2 AddToNowPlaying**

Command	Command Parameters	Response Parameters
AddToNowPlaying	Scope, UID, UID Counter	Status,

The AddToNowPlaying command adds an item indicated by the UID to the Now Playing queue.

Sending AddToNowPlaying with the scope of Media Player Virtual Filesystem, NowPlaying or Search shall result in the item being added to the Now Playing folder on media players that support the AddToNowPlaying command.

The CT shall not send an AddToNowPlaying command with the scope set to Media Player List.

If a UIDs\_CHANGED event has happened on the TG, but not yet received by the CT, the CT may send an AddToNowPlaying command with the previous UIDcounter. In this case a failure status shall be returned.

The CT may send AddToNowPlaying with the UID of a Folder Item if the folder is playable (see Section 6.10.2.2). The result of this is that the contents of that folder are added to the Now Playing folder, not the folder itself. The Now Playing folder shall not have subfolders. If a TG receives an AddToNowPlaying command with the UID of a type it cannot play it shall return a specific error to indicate this as defined in Section 6.15.3.

**6.12.2.1 Command Parameters**

Scope – 1 Octet

Value	Parameter Description
Scope as defined in Section 6.10.1	The scope in which the UID of the media element item or folder item, if supported, is valid.

UID – 8 Octets

Value	Parameter Description
0XXXXXXXXXXXXXXXXXX	The UID of the media element item or folder item, if supported, to be added to the now playing folder as defined in Section 6.10.3.

UID Counter – 2 Octets

Value	Parameter Description
0XXXXX	The UID Counter as defined in Section 6.10.3

**6.12.2.2 Response Parameters**

Status – 1 Octet

Value	Parameter Description
The Status as defined in Section 6.15.3	The result of the AddToNowPlaying operation.

**6.13 Volume Handling**

**6.13.1 Absolute Volume**

An Absolute Volume is represented in one octet. The top bit (bit 7) is reserved for future addition (RFA). The volume is specified as a percentage of the maximum. The value 0x0 corresponds to 0%. The value 0x7F corresponds to 100%. Scaling should be applied to achieve values between these two. The existence of this scale does not impose any restriction on the granularity of the volume control scale on the TG.

**6.13.2 SetAbsoluteVolume**

Command	Command Parameters	Response Parameters
Set Absolute Volume	Absolute Volume	Absolute Volume

This command is used to set an absolute volume to be used by the rendering device. This is in addition to the relative volume PASS THROUGH commands. It is expected that the audio sink will perform as the TG for this command.

As this command specifies a percentage rather than an absolute dB level the CT should exercise caution when sending this command.

It should be noted that this command is intended to alter the rendering volume on the audio sink. It is not intended to alter the volume within the audio stream.

The volume level which has actually been set on the TG is returned in the response. This is to enable the CT to deal with whatever granularity of volume control the TG provides.

When the volume is changed on the TG by this command the Volume Change notification shall not be completed.

The Set Absolute Volume command is transported as an AV/C Control command. The command and response parameters are given in Section 6.13.2.1 and Section 6.13.2.2.

An example PDU is given in Section 22.16.

#### 6.13.2.1 Command Parameters

Absolute Volume – 1 Octet

Value	Parameter Description
0xXX	Absolute Volume as defined in Section 6.13.1. This is the volume which is requested.

#### 6.13.2.2 Response Parameters

Absolute Volume – 1 Octet

Value	Parameter Description
0xXX	Absolute Volume as defined in Section 6.13.1. This is the volume which has actually been set.

#### 6.13.3 Notify volume change

This Register Notification event is used by the CT to detect when the volume has been changed locally on the TG, or what the actual volume level is following use of relative volume commands.

Note that if this is being used to detect the result of a relative volume command then if the relative volume command results in no volume change (for example the TG is already at maximum volume and receives a volume up command) then there will be no volume change and hence the TG shall not complete an outstanding Volume Change Notification.

The Volume Change Notification shall not be completed when the CT changes the volume remotely with the SetAbsoluteVolume command. It is expected for this command that the audio sink fulfills the TG role.

This is an event which may be used for the Register Notification command described in Section 6.7.2, which is a vendor dependent AV/C Notify.

The response parameters for this event are given in Section 6.13.3.1.

An example PDU is given in Section 22.17.

#### 6.13.3.1 Response Parameters

Absolute Volume – 1 Octet

Value	Parameter Description
0xXX	Absolute Volume as defined in 6.13.1. This is the current Absolute Volume on the TG.

## 6.14 Basic Group Navigation

Basic group navigation PDUs are defined to support a logical one dimensional group structure of media content on the TG to CT for easier navigation purpose. The definition of groups on the TG is implementation dependent. The group structure can consist of parts of, or a mix of playlists and artist/album/genre folders etc. that are used by the media player applications in the TG.

The basic group navigation PDUs have a similar behavior as the Forward and Backward commands, but instead of navigating to the next/previous song they are used to navigate to the first song in the next/previous group.

The Basic Group Navigation PDUs are transported as vendor unique PASS THROUGH commands. The company ID that shall be used is the Bluetooth SIG Vendor ID. The vendor unique data is a two octet field containing the vendor unique operation ID as defined in Table 6.47 Vendor Unique Operation IDs.

An example PDU is given in 22.10.

Operation	Operation ID
Next Group	0x0000
Previous Group	0x0001

Table 6.47 Vendor Unique Operation IDs

### 6.14.1 NextGroup

This function is used to move to the first song in the next group.

### 6.14.2 PreviousGroup

This function is used to move to the first song in the previous group.

## 6.15 Error handling

AVRCP distinguishes error handling for AVRCP Specific AV/C commands and AVRCP Specific Browsing commands. AVRCP Specific AV/C commands make use of the REJECT mechanism from AV/C, described in Section 6.15.1.

AVRCP Specific Browsing commands return a status value in their response to indicate errors. If the original command cannot be parsed the General Reject described in Section 6.15.2.1 shall be returned.

### 6.15.1 AVRCP Specific AV/C Commands

If the CT sent a PDU with a nonexistent PDU ID or a PDU containing only one parameter and the TG cannot interpret that parameter, the TG shall return a REJECTED response with Error Status Code. TG may also return a REJECTED response in other situations (see Section 6.15.3 Status and Error Code).

If the CT sent a PDU with multiple parameters where TG can interpret at least one of the parameters, the TG shall proceed with the ones it can interpret and ignore the others.

Note that the CT can always have complete information which IDs were accepted by TG: For STATUS PDUs the response will contain information for the parameters which were understood. When setting values for Player application settings, if the CT has an outstanding Register Notification for EVENT\_PLAYER\_APPLICATION\_SETTING\_CHANGED, then the CHANGED response for this will contain the list of AttributeIDs for which values have been set.

An example of response packet format for REJECTED will be as shown in [Table 6.48](#).

Oct	MSB (7)	6	5	4	3	2	1	LSB (0)
0	0x0				Response: 0xA(REJECTED)			
1	Subunit_type:0x9 (PANEL)					Subunit_ID: 0x0		
2	Opcode: 0x0 (VENDOR DEPENDENT)							
3 – 5	Company ID: [Bluetooth SIG specified CompanyID]							
6	PDU ID (of the command for which this response is sent)							
7	Reserved (0x00)						Packet Type (0x0)	
8 – 9	Parameter Length (0x0001)							
10	Error Code (0x02 – Specified parameter not found)							

Table 6.48: An example of response packet format for REJECTED

## 6.15.2 AVRCP Specific Browsing Commands

### 6.15.2.1 GeneralReject

Response	Command Parameters	Response Parameters
General Reject	Not Applicable	Reject Reason

The General Reject response is used in situations where the received command cannot be parsed sufficiently to return a command specific response, for example commands where the PDU Id is not recognised. It shall only be used to reject commands sent on the browsing channel (refer to [Table 4.5: AVRCP Specific operations](#)).

It should be noted that as with all other commands the response can be matched up with the command it refers to by the AVCTP transaction label.

#### 6.15.2.1.1 Response Parameters

Reject Reason – 1 Octet

Value	Parameter Description
Error code as defined in Section <a href="#">6.15.3</a>	The reason for the General Reject

## 6.15.3 Status and Error Codes

The responses of AVRCP Specific Browsing Commands contain a status field to indicate success/failure and an error status code is added to the AV/C REJECTED response if the TG rejected an AVRCP Specific AV/C command. It is useful for CT to know why the command was rejected by the TG. [Table 6.49](#) shows the status and error

codes to be used with both AVRCP Specific Browsing Commands and AVRCP Specific AV/C Commands.

Error/Status Code	Description	Valid for Commands
0x00	Invalid command, sent if TG received a PDU that it did not understand.	All
0x01	Invalid parameter, sent if the TG received a PDU with a parameter ID that it did not understand. This error code applies to the following identifiers: <ul style="list-style-type: none"> <li>• PDU ID</li> <li>• Capability ID</li> <li>• Event ID</li> <li>• Player Application Setting Attribute ID</li> <li>• Player Application Setting Value ID</li> <li>• Element Attribute ID</li> </ul>	All
0x02	Parameter content error. Sent if the parameter ID is understood, but content is wrong or corrupted.	All
0x03	Internal Error - sent if there are error conditions not covered by a more specific error code.	All
0x04	Operation completed without error. This is the status that should be returned if the operation was successful.	All except where the response CType is AV/C REJECTED
0x05	UID Changed – The UIDs on the device have changed	All
0x06	Reserved	All
0x07	Invalid Direction – The Direction parameter is invalid	Change Path
0x08	Not a Directory – The UID provided does not refer to a folder item	Change Path
0x09	Does Not Exist – The UID provided does not refer to any currently valid item	Change Path, PlayItem, AddToNowPlaying, GetItemAttributes
0x0a	Invalid Scope – The scope parameter is invalid	GetFolderItems, PlayItem, AddToNowPlaying, GetItemAttributes,
0x0b	Range Out of Bounds – The start of range provided is not valid	GetFolderItems
0x0c	Folder Item is not playable – The UID provided refers to a folder item which cannot be handled by this media player	Play Item, AddToNowPlaying
0x0d	Media in Use – The media is not able to be used for this operation at this time	PlayItem, AddToNowPlaying
0x0e	Now Playing List Full – No more items can be added to the Now Playing List	AddToNowPlaying
0x0f	Search Not Supported – The Browsed Media Player does not support search	Search
0x10	Search in Progress – A search operation is already in progress	Search
0x11	Invalid Player Id – The specified Player Id does not refer to a valid player	SetAddressedPlayer, SetBrowsedPlayer

*Audio/Video Remote Control Profile (AVRCP)*

<b>Error/Status Code</b>	<b>Description</b>	<b>Valid for Commands</b>
0x12	Player Not Browsable – The Player Id supplied refers to a Media Player which does not support browsing.	SetBrowsedPlayer
0x13	Player Not Addressed. The Player Id supplied refers to a player which is not currently addressed, and the command is not able to be performed if the player is not set as addressed.	Search SetBrowsedPlayer
0x14	No valid Search Results – The Search result list does not contain valid entries, e.g. after being invalidated due to change of browsed player	GetFolderItems
0x15	No available players	All
0x16	Addressed Player Changed	Register Notification
0x17-0xff	Reserved	All

*Table 6.49: List of Error Status Code*

## 7 AVCTP Interoperability Requirements

### 7.1 Transaction Labels

On the CT side, it is application-dependent how transaction labels are handled, and therefore it is not defined in this specification. On the TG side, the transaction label received in an AVCTP command frame shall be used as the transaction label returned in the possible corresponding AVCTP response frame. In case several response frames are sent as reaction to one AVCTP command, all response frames shall use the same value of transaction label in the received command frame.

It should be noted that transaction labels are scoped to an AVCTP channel, so an AVRCP specific AV/C command and an AVRCP specific browsing command may be outstanding at the same time with the same transaction label.

### 7.2 Message Fragmentation

The support of AVCTP packet fragmentation on the AVCTP control channel is as in Table 7.1: AVCTP Fragmentation. AVCTP fragmentation shall only be applied on the control channel when the AVRCP PDU size exceeds the negotiated L2CAP SDU size.

Procedure of AV/C Command	Non-Fragmented AVCTP Message		Fragmented AVCTP Message	
	Support in CT	Support in TG	Support in CT	Support in TG
UNIT INFO	M	M	X	X
SUBUNIT INFO	M	M	X	X
VENDOR DEPENDENT	M	M	C1	C2
PASS THROUGH	M	M	C1	C2

Table 7.1: AVCTP Fragmentation

C1, C2: In case a vendor defines a VENDOR DEPENDENT command or a vendor unique operation\_id of a PASS THROUGH command that is longer than the L2CAP MTU, and if a device implements one, it is M (mandatory) to support the fragmented AVCTP message. If not, it is X (excluded). All AVRCP specific AV/C commands use VENDOR DEPENDENT command and so support for fragmentation is mandatory for AVRCP specific AV/C commands (refer to Table 3.1: Application Layer Features).

AVCTP fragmentation shall not be used on the AVCTP Browsing Channel.

### 7.3 Profile Identifier of AVCTP Message Information

Refer to Bluetooth Assigned Numbers [6] for the value of the profile Identifier for this profile.

Note: The value of Service Class for CT is "A/V Remote Control Controller" and "A/V Remote Control" for backwards compatibility, while the value for TG is "A/V Remote Control Target". The value of Profile Identifier is the same for CT and TG, which is "A/V Remote Control".



## 8 Service Discovery Interoperability Requirements

This profile defines the following service records for the CT and the TG, respectively.

The codes assigned to the mnemonics used in the Value column as well as the codes assigned to the attribute identifiers (if not specifically mentioned in the AttrID column) can be found in the Bluetooth Assigned Numbers document [6].

Item	Definition	Type	Value	AttrID	Status	Default
Service Class ID List					M	
Service Class #0		UUID	A/V Remote Control		M	
Service Class #1		UUID	A/V Remote Control Controller		M	
Protocol Descriptor List					M	
Protocol #0		UUID	L2CAP		M	
Parameter #0 for Protocol #0	PSM	Uint 16	PSM= AVCTP		M	
Protocol #1		UUID	AVCTP		M	
Parameter #0 for Protocol #1	Version	Uint 16	0x0104* <sup>1</sup>		M	
Additional Protocol Descriptor List					C1	
Protocol Descriptor List					C1	
Protocol #0		UUID	L2CAP		C1	
Parameter #0 for Protocol #0	PSM	Uint 16	PSM= AVCTP_Browsing		C1	
Protocol #1		UUID	AVCTP		C1	
Parameter #0 for Protocol #1	Version	Uint 16	0x0104* <sup>1</sup>		C1	
Bluetooth Profile Descriptor List					M	
Profile #0		UUID	A/V Remote Control		M	
Parameter #0 for Profile #0	Version	Uint 16	0x0105* <sup>2</sup>		M	

Audio/Video Remote Control Profile (AVRCP)

Item	Definition	Type	Value	AttrID	Status	Default
Supported Features	AVRCP features flags	Uint 16	*3 Bit 0 = Category 1 Bit 1 = Category 2 Bit 2 = Category 3 Bit 3 = Category 4 Bit 4-5 = RFA Bit 6 = Supports browsing Bit 7-15 = RFA  The bits for supported categories are set to 1. Others are set to 0.		M	
Provider Name	Displayable Text Name	String	Provider Name		O	
Service Name	Displayable Text Name	String	Service Provider-defined		O	

Table 8.1: Service Record for CT

\*1: The value indicates Version 1.4.

\*2: The value indicated Version 1.5.

\*3: The value indicates the category(ies) of a TG that the CT expects to control. It is not necessary for a CT to have capabilities to initiate all of the mandatory commands of the indicated category(ies).

C1 – Mandatory if AVRCP features flags Bit 6 Supports browsing is set

Item	Definition	Type	Value	AttrID	Status	Default
Service Class ID List					M	
Service Class #0		UUID	A/V Remote Control Target		M	
Protocol Descriptor List					M	
Protocol #0		UUID	L2CAP		M	
Parameter #0 for Protocol #0	PSM	Uint 16	PSM=AVCTP		M	
Protocol #1		UUID	AVCTP		M	
Parameter #0 for Protocol #1	Version	Uint 16	0x0104* <sup>1</sup>		M	
Additional Protocol Descriptor List					C1	
Protocol Descriptor List					C1	
Protocol #0		UUID	L2CAP		C1	
Parameter #0 for Protocol #0	PSM	Uint 16	PSM=AVCTP_Browsing		C1	
Protocol #1		UUID	AVCTP		C1	
Parameter #0 for Protocol #1	Version	Uint 16	0x0104* <sup>1</sup>		C1	

Audio/Video Remote Control Profile (AVRCP)

Item	Definition	Type	Value	AttrID	Status	Default
Bluetooth Profile Descriptor List					M	
Profile #0		UUID	A/V Remote Control		M	
Parameter #0 for Profile #0	Version	Uint 16	0x0105* <sup>2</sup>		M	
Supported Features	AVRCP features flags	Uint 16	* <sup>3</sup> Bit 0 = Category 1 Bit 1 = Category 2 Bit 2 = Category 3 Bit 3 = Category 4 Bit 4 = Player Application Settings. Bit 0 should be set for this bit to be set. Bit 5 = Group Navigation. Bit 0 should be set for this bit to be set. Bit 6 = Supports browsing* <sup>4</sup> Bit 7 = Supports multiple media player applications  Bit 8-15 = RFA  The bits for supported categories are set to 1. Others are set to 0.		M	
Provider Name	Displayable Text Name	String	Provider Name		O	
Service Name	Displayable Text Name	String	Service-provider defined		O	

Table 8.2: Service Record for TG

\*1: The value indicates Version 1.4.

\*2: The value indicated Version 1.5.

\*3: The value indicates the category(ies) that the TG supports. The TG shall be implemented with all of mandatory commands of the indicated category(ies).

\*4: Bit 6 (Browsing supported) is not set based on category. Bit 6 in the SDP record shall only be set if browsing of the "Media Player Virtual Filesystem" is supported.

C1 - If SDP record indicates support for categories 1 or 3, then the SDP record shall contain the Additional Protocol Descriptor List for the browsing channel.

## 9 L2CAP Interoperability Requirements

---

This section defines L2CAP requirements for the AVRCP. Unless otherwise stated in the following sections, L2CAP requirements are as specified in the Core Specification and the Enhanced L2CAP Addendum [12].

The Bluetooth Core Specification and the Enhanced L2CAP Addendum [12] include useful capabilities in the L2CAP Resource Manager which are specified as optional in version 2.1 and earlier. AVRCP however, requires and benefits from some of these features, including: Protocol/channel multiplexing, Segmentation and Reassembly, per-L2CAP-channel flow control, and per-L2CAP channel error control retransmissions. The requirements and implementation details of these beneficial features are discussed throughout this section.

The likely presence of an active Streaming Data Channel for media streaming while AVRCP is in use implies that Browse Channel packets may need to be flushed at the ACL link. When Streaming and Browsing Channels share the same ACL link, flushing can result in temporary loss of a few reliable channel packets, however, Enhanced Retransmission Mode in the Browsing Channel will eventually re-transmit the flushed packets and the Browsing Channel will still maintain reliability.

On the Browsing Channel, marking packets as non-flushable can ensure efficient use of the L2CAP Enhanced Retransmission Mode by preventing unnecessary retransmission overhead. The 2.1 + EDR core specification added a feature called Non-Flushable Packet Boundary Flag for this purpose.

### 9.1 Channel Types

In this profile, only connection-oriented channels shall be used. This implies that broadcasts shall not be used in this profile.

In the PSM field of the Connection Request packet, the value for AVCTP defined in the Bluetooth Assigned Numbers document [6] shall be used.

### 9.2 Signaling

AVRCP does not impose any restrictions or requirements on L2CAP signaling.

### 9.3 Configuration Options

This section describes the usage of configuration options in AVRCP.

#### 9.3.1 Flush Timeout

The application shall set the appropriate value for responding time to the flush timeout. It is recommended that AVRCP set the L2CAP Flush Timeout to infinite so that AVRCP packets will not be flushed automatically. Using a non-infinite flush timeout is optional in this profile, since the L2CAP transport may support retransmissions.

Remark: For devices which do not support the non-automatically flushable PBF, the flush timeout can be constrained by the ACL channels when the other applications

(such as audio/video streaming or file sharing) coexist with AVRCP. For devices supporting the PBF or Retransmission mode, the underlying L2CAP implementation can automatically flush other ACL data, while maintaining robust transfer on the AVRCP channel.

### 9.3.2 Quality of Service

Negotiation of Quality of Service is optional in this profile.

### 9.3.3 Retransmission and Flow Control

The L2CAP channel underlying the AVCTP browsing channel shall be configured to use Enhanced Retransmission mode. Use of Enhanced Retransmission mode is optional on the L2CAP channel underlying the AVCTP control channel.

### 9.3.4 Configuration of the Browsing Channel

For the Browsing channel, Enhanced Retransmission Mode (defined in the Enhanced L2CAP Addendum [12]) is used such that flow control may be applied and such that any lost or corrupted packets will be detected and retransmitted by the retransmission protocol.

- The Browsing Channel **shall** be configured to use Enhanced Retransmission Mode [12]
- The value of FCS option **should** be configured to the default value of “FCS”. This means that browsing data which has become corrupted can be detected and allows for the greatest interoperability, as all devices shall support FCS.
- The value for MaxTransmit **should** be set to be infinite. This ensures consistency between different profiles that are running, by using the baseband timeout to determine if the link is insufficiently reliable.
- Retransmission time-out **should** be set to a value in the range of 300 - 2000 ms for typical devices. It is desirable that this timer be set to a low value to reduce latency, but not so low that unnecessary retransmissions occur.
- Monitor time-out **should** be set to a value in the range of 300 - 2000 ms for typical devices. It is desirable that this timer be set to a low value to reduce latency, but not so low that unnecessary retransmissions occur.

Note that Enhanced Retransmission Mode provides per-L2CAP-channel flow control, Segmentation and Reassembly (SAR) and per-L2CAP-channel error control and retransmissions.

#### 9.3.4.1 Maximum Transmission Unit (MTU)

The Core Specification [12] requires that all L2CAP implementations support a minimum MTU size of 48 bytes. AVRCP further constrains this by requiring a minimum MTU of 335 for the AVCTP Browsing Channel. This is because a larger MTU is required to allow a reasonable browsing experience. MTU sizes larger than the minimum MTU for the Browsing Channel will aid with the transmission of larger amounts of application

data and so it is recommended to set the MTU as large as possible, for instance 4 kilobytes.

#### 9.3.4.2 Enhanced L2CAP Feature Requirements Summary for Browsing Channel

[Table 9.1: L2CAP Browsing Channel Configuration Summary](#) provides a summary of supported L2CAP Browsing Channel configuration requirements.

L2CAP Data Channel Configuration Parameter	L2CAP Status	Support on Browse Channel
Enhanced Retransmission Mode	O	M
FCS Option	O	O

*Table 9.1: L2CAP Browsing Channel Configuration Summary*

---

## **10 Link Manager (LM) Interoperability Requirements**

---

The procedure for SCO links is excluded. Other than that, there is no change to the requirements as stated in the Link Manager specification itself. (See Section 3 in [\[9\]](#).)

## 11 Link Controller (LC) Interoperability Requirements

---

AVRCP imposes no capability requirements beyond those of the core specification.

### 11.1 Class of Device

A device that is active in the CT role shall indicate as follows in the Class of Device field, if it is a stand-alone remote controller.

1. Indicate 'Peripheral' as Major Device class
2. Indicate "Remote control" as the Minor Device class

### 11.2 Sniff Subrating

The use of sniff subrating is optional in AVRCP. If sniff subrating is supported, is recommended to use a  $T_{\text{Sniff}}$  value shorter than  $T_{\text{RCP}}(100)$  so that responses may be sent within the mandatory timeout.

For devices acting as an AVRCP controller only (see [Figure 2.3: Remote Control from Separate Controller](#) above), it is recommended that both CT and TG enable sniff subrating. In this case, the TG should accept sniff subrating and attempt to initiate it if not done by the CT. The minimum access time for the TG may be large, since the TG does not initiate commands. The minimum access time for the CT should be chosen to balance power and latency requirements.



## 12 Generic Access Profile Requirements

This section defines the support requirements for the capabilities as defined in the Generic Access Profile [8].

### 12.1 Modes

In addition to the requirements in GAP [8], the requirement in [Table 12.1: Modes](#) applies to AVRCP.

	Procedure	Support in CT	Support in TG
1.	Discoverability modes		
2.	Discoverable Mode	M	M

Table 12.1: Modes

### 12.2 Security Aspects

There is no change to the requirements as stated in the General Access Profile.

### 12.3 Idle Mode Procedures

[Table 12.2: Supported Idle Mode Procedures](#) shows the support status for Idle mode procedures within this profile.

	Procedure	Support in CT	Support in TG
1.	General inquiry	M	O
2.	Limited inquiry	O	O
3.	Name discovery	O	O
4.	Device discovery	O	O
5.	Bonding	O	O*

Table 12.2: Supported Idle Mode Procedures

\*: Acceptance of bonding shall be supported. If General inquiry is supported, initiation of bonding shall be supported, otherwise, should be supported.

## 13 Timers and Counters

The timers defined in [Table 13.1: Timers](#) are required by AVRCP.

Timer Name	Proposed Value	Description
$T_{RCP}$ (100)	100 milliseconds	A TG shall return its response frame within 100 milliseconds counting from the receipt of the command frame.
$T_{MTC}$ (200)	200 milliseconds	A TG shall return its response frame within 200 milliseconds counting from the receipt of the command frame.
$T_{MTP}$ (1000)	1000 milliseconds	A TG shall return its response frame within 1000 milliseconds counting from the receipt of the command frame.

Table 13.1: Timers

There are no AVRCP specific counters.

## **14 Testing**

---

The Audio Video Remote Control Profile requires interoperability test. The details of the test strategy are described in [5]. Tested functionality is defined in [4].

## 15 References

---

- [1] 1394 Trade Association , AV/C Digital Interface Command Set – General Specification, Version 4.0, Document No. 1999026 and AV/C Digital Interface Command Set - General Specification, Version 4.1, Document No. 2001012 (<http://www.1394ta.org>)
- [2] 1394 Trade Association , AV/C Panel Subunit, Version 1.1, Document No. 2001001 (<http://www.1394ta.org>)
- [3] Bluetooth SIG, Specification of the Bluetooth System, Profiles, Version 1.0 or Later, Audio/Video Control Transport Protocol
- [4] Bluetooth SIG, Specification of the Bluetooth System, ICS, Version 1.0 or Later, ICS proforma for Audio/Video Remote Control Profile
- [5] Bluetooth SIG, Specification of the Bluetooth System, TSS, Version 1.0 or Later, Test Suite Structure (TSS) and Test Procedures (TP) for Audio/Video Remote Control Profile
- [6] Bluetooth SIG, Bluetooth Assigned Numbers, Bluetooth SIG member web site
- [7] Bluetooth SIG, Specification of the Bluetooth System, Core, Version 1.2 or Later, Baseband
- [8] Bluetooth SIG, Specification of the Bluetooth System, Core, Version 1.2 or Later, Generic Access Profile
- [9] Bluetooth SIG, Specification of the Bluetooth System, Core, Version 1.2 or Later, Link Manager Protocol
- [10] Bluetooth SIG, Specification of the Bluetooth System, Core, Version 1.2 or Later, Service Discovery Protocol
- [11] <http://www.iana.org/assignments/character-sets>
- [12] Bluetooth SIG, Specification of the Bluetooth System, Core, Addendum 1, Logical Link Control and Adaptation Protocol Specification

## 16 List of Figures

---

Figure 1.1: Audio/Video Remote Control Profile Dependency .....	11
Figure 1.2: Signaling Conventions .....	12
Figure 2.1: Protocol Model .....	14
Figure 2.2: Controller and target .....	15
Figure 2.3: Remote Control from Separate Controller .....	16
Figure 2.4: Remote Control from Car Audio System .....	16
Figure 2.5: Remote Control and Audio Stream between Two Devices .....	17
Figure 2.6: Mutual Remote Control within a Piconet .....	17
Figure 2.7: Headphone with LCD connected to media player .....	18
Figure 4.1: Connection Establishment Initiated by CT .....	23
Figure 4.2: Connection Establishment Initiated by TG .....	24
Figure 4.3: Connection Release Initiated by CT or TG .....	24
Figure 4.4: Procedure of AV/C Command .....	25
Figure 6.1 Virtual filesystem example .....	65
Figure 22.1: UNIT INFO Command Frame .....	108
Figure 22.2: UNIT INFO Response Frame .....	108
Figure 22.3: SUBUNIT INFO Command Frame .....	109
Figure 22.4: SUBUNIT INFO Response Frame .....	109
Figure 22.5: PASS THROUGH Command Frame .....	110
Figure 22.6: PASS THROUGH Response Frame .....	110
Figure 26.1 Example Message Sequence Chart .....	136
Figure 26.2: Example of using InformDisplayableCharacterSet where the TG does not support any of the listed character sets other than UTF-8 .....	137
Figure 26.3: Example of using InformDisplayableCharacterSet where the TG supports at least one of the listed character sets in addition to UTF-8 .....	138
Figure 26.4: Example of using RegisterNotification .....	138
Figure 26.5: Example of using RequestContinuingResponse .....	139
Figure 26.6: Example of using AbortContinuingResponse .....	139
Figure 27.1: AV/C Command Frame .....	155
Figure 27.2: AV/C Response Frame .....	156

## 17 List of Tables

Table 3.1: Application Layer Features .....	20
Table 3.2: Application Layer Feature to Procedure Mapping .....	22
Table 4.1: List of Possible AV/C Commands .....	25
Table 4.2: Supported Unit Commands.....	27
Table 4.3: Vendor Dependent Commands .....	28
Table 4.4: PASS THROUGH Command.....	28
Table 4.5: AVRCP Specific operations .....	31
Table 4.6: AVRCP Specific Vendor Unique PASS THROUGH command .....	31
Table 4.7: Support Levels of operation_id in TG .....	33
Table 4.8: Support Levels of operation_id in CT.....	35
Table 6.1: AVRCP Specific AV/C PDU format.....	43
Table 6.2: AVRCP Specific AV/C Command .....	44
Table 6.3: Browsing PDU header format .....	44
Table 6.4: GetCapabilities Command .....	45
Table 6.5: GetCapabilities Command Allowed Values .....	45
Table 6.6: GetCapabilities Response for COMPANY_ID .....	45
Table 6.7: GetCapabilities Response for CompanyID Allowed Values .....	45
Table 6.8: GetCapabilities Response for EVENTS_SUPPORTED .....	46
Table 6.9: GetCapabilities Response for EVENTS_SUPPORTED Allowed Values .....	46
Table 6.10: ListPlayerApplicationSettingAttributes command .....	46
Table 6.11: ListPlayerApplicationSettingAttributes response .....	47
Table 6.12: ListPlayerApplicationSettingValues command .....	47
Table 6.13: ListPlayerApplicationSettingValues response .....	47
Table 6.14: GetCurrentPlayerApplicationSettingValue command .....	48
Table 6.15: GetCurrentPlayerApplicationSettingValue response .....	48
Table 6.16: SetPlayerApplicationSettingValue command .....	49
Table 6.17: SetPlayerApplicationSettingValue response .....	49
Table 6.18: GetPlayerApplicationSettingAttributeText command.....	50
Table 6.19: GetPlayerApplicationSettingAttributeText response.....	50
Table 6.20: GetPlayerApplicationSettingValueText command .....	51
Table 6.21: GetPlayerApplicationSettingValueText response .....	51
Table 6.22: InformDisplayableCharacterSet command.....	51
Table 6.23: InformDisplayableCharacterSet response .....	51
Table 6.24: InformBatteryStatusOfCT command.....	52
Table 6.25: InformBatteryStatusOfCT response.....	52
Table 6.26: GetElementAttributes command.....	53
Table 6.27: GetElementAttributes response .....	54
Table 6.28: GetPlayStatus command .....	54
Table 6.29: GetPlayStatus response .....	54
Table 6.30: RegisterNotification command.....	55
Table 6.31: Response EVENT_PLAYBACK_STATUS_CHANGED .....	55
Table 6.32: Response EVENT_TRACK_CHANGED .....	56
Table 6.33: Response EVENT_TRACK_REACHED_END .....	56
Table 6.34: Response EVENT_TRACK_REACHED_START .....	56
Table 6.35: Response EVENT_PLAYBACK_POS_CHANGED .....	56
Table 6.36: Response EVENT_BATT_STATUS_CHANGED .....	57
Table 6.37: Allowed Values for Battery Status.....	57
Table 6.38: Response EVENT_SYSTEM_STATUS_CHANGED.....	57
Table 6.39: Response EVENT_PLAYER_APPLICATION_SETTING_CHANGED .....	58
Table 6.40: RequestContinuingResponse command .....	58
Table 6.41: AbortContinuingResponse command .....	59

Table 6.42: AbortContinuingResponse response .....	59
Table 6.46 Player Feature Bitmask.....	69
Table 6.47 Vendor Unique Operation IDs.....	84
Table 6.48: An example of response packet format for REJECTED .....	85
Table 6.49: List of Error Status Code.....	87
Table 7.1: AVCTP Fragmentation .....	88
Table 8.1: Service Record for CT .....	90
Table 8.2: Service Record for TG .....	91
Table 9.1: L2CAP Browsing Channel Configuration Summary .....	94
Table 12.1: Modes .....	97
Table 12.2: Supported Idle Mode Procedures .....	97
Table 13.1: Timers .....	98
Table 19.1 Example of Latency .....	105
Table 20.1: Category Combination Examples .....	106
Table 23.1: Attribute IDs .....	132
Table 24.1: PlayerApplicationSettingAttributeIDs .....	134

## 18 Acronyms and Abbreviations

<b>Acronym</b>	<b>Description</b>
1394TA	1394 Trade Association
A/V	Audio/Video
AV/C	The AV/C Digital Interface Command Set
AVCTP	Audio/Video Control Transport Protocol
AVRCP	Audio/Video Remote Control Profile
CT	Controller
ICS	Implementation Conformance Statement
IEEE	The Institute of Electrical and Electronics Engineers
LC	Link Controller
LM	Link Manager
MTU	Maximum Transmission Unit
PSM	Protocol/Service Multiplexer
PDU	Protocol Data Unit
QoS	Quality of Service
RFA	Reserved for Future Additions
RFD	Reserved for Future Definition
SDP	Service Discovery Protocol
TG	Target
TP	Test Purpose
TSS	Test Suite Structure



## 19 Appendix A (Informative): Example of Latency

This section is intended to be information for application only: There are no requirements for the latency.

The value of maximum latency is shown below.

The latency includes the initiation on the sender side up to the start of the requested procedure on the receiving side.

Application example	From	To	Latency
<a href="#">Figure 2.3: Remote Control from Separate Controller</a>	Remote Controller	Portable Disc Player	200 msec
<a href="#">Figure 2.5: Remote Control and Audio Stream between Two Devices</a>	Headphone	Portable Disc Player	200 msec
<a href="#">Figure 2.6: Mutual Remote Control within a Piconet</a>	Headphone	Portable Disc Player	200 msec
<a href="#">Figure 2.7: Headphone with LCD connected to media player</a>	Headphone with LCD Remote Controller	Portable Disc Player	100 msec
<a href="#">Figure 2.7: Headphone with LCD connected to media player</a>	Remote Controller	VCR	100 msec

Table 19.1 Example of Latency

## 20 Appendix B (Informative): Example of A/V Devices

General functions of A/V devices can be realized by choosing several categories from category 1 to category 4 of TG. The following table shows the possible combination of categories for each function. Note that the table simply presents examples, and does not specify categories that a device shall support.

Functions	Categories to Support	Device Examples
Audio player without volume control	1	CD player (component), MD player (component)
Audio player with volume control	1, 2	portable disk player
Audio receiver	3	tuner (component)
Audio receiver	2, 3	portable radio
Audio recorder with receiver	1, 2, 3	cassette tape recorder with receiver
Audio amplifier	2	amplifier, headphone
Video recorder without volume control	1	portable video camera recorder
Video recorder with volume control	1, 2, 3	portable VCR with LCD display, TV with VCR
Video recorder with receiver	1, 3	VCR, video disk recorder
TV	2, 3	TV
Video recorder with menu operation	1, 3, 4	VCR with menu control function
TV with menu operation	2, 3, 4	TV with menu control function
Amplifier with menu operation	2, 4	amplifier with menu control function
Video monitor with menu operation	4	video projector with menu control function

Table 20.1: Category Combination Examples

## **21 Appendix C (Informative): Multiple applications use of AVCTP**

---

Every profile based on Audio/Video Control Transport Protocol (AVCTP) uses one or two L2CAP channels. When there are two devices, one simply works as the CT and another simply as the TG; the connection on an L2CAP channel between them can be established or released by an application as the need arises. However, when one of the devices supports several profiles or two roles, the CT and the TG, the operation to release a connection should be manipulated carefully.

For example, even if application 'A' wants to discard a connection for control, another application 'B' may need the connection kept established. If application 'A' releases the connection on its own judgment, and then if application 'B' needs to send a command, application 'B' shall re-establish another connection for control to send a command, which causes a delay.

A necessary connection to be released by another application can be avoided by implementation. That is, before releasing the connection for control, an application should try to investigate whether other profiles or other role of the same profile in the device uses AVCTP. It is recommended to apply above implementation solution when developing a device that supports both CT and TG, or supports another control profile in addition to AVRCP.

## 22 Appendix D (Informative): Example of Commands and Responses

This chapter shows several examples of commands from a CT and responses from a TG exchanged in case a TG supports only AVRCP as its AV control profile. Note that the structures of commands and responses mentioned in this chapter are merely examples, and fields may have different structures or values according to the situations. Refer AV/C General Specification [1] and AV/C Panel Subunit Specification [2].

### 22.1 UNIT INFO command

The frame structure of UNIT INFO command is as shown below.

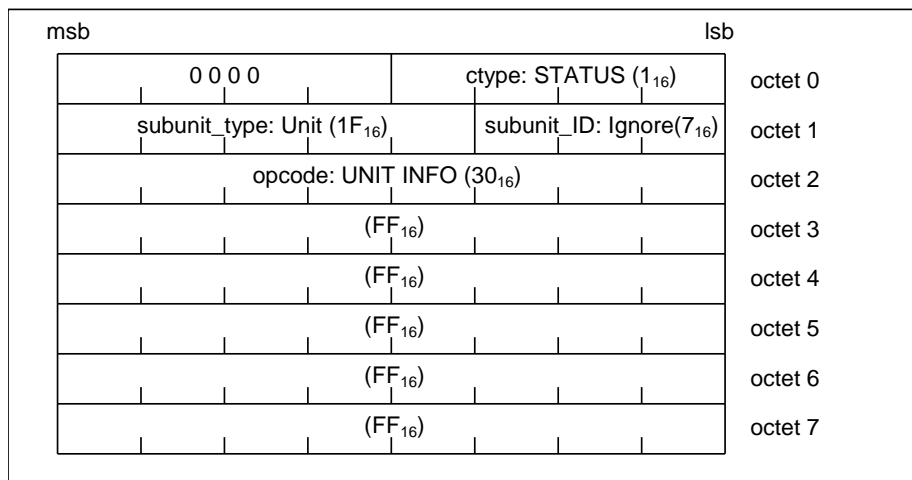


Figure 22.1: UNIT INFO Command Frame

An example of a response returned to above command frame is as follows.

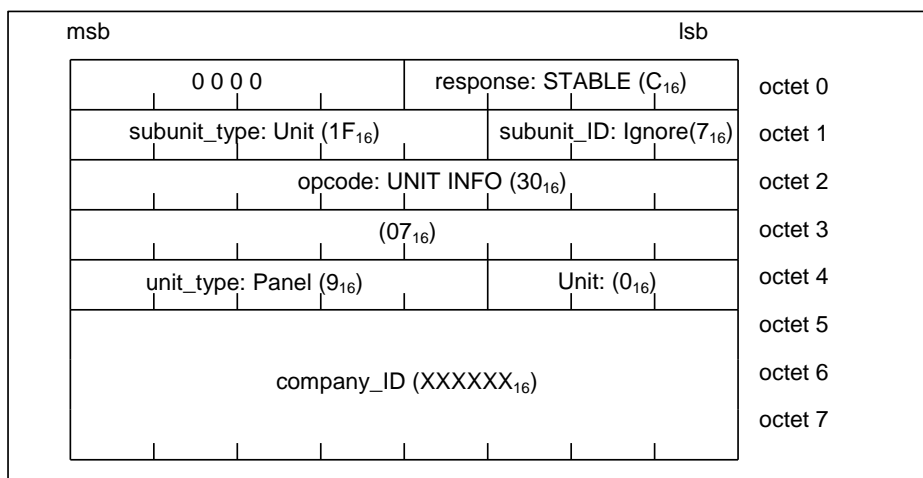


Figure 22.2: UNIT INFO Response Frame

If, in future, a Bluetooth AV control profile that applies AV/C command set is defined, and if a TG supports this AV control profile in addition to AVRCP, it is possible that a TG returns other subunit type than Panel as its *unit\_type*.

## 22.2 SUBUNIT INFO command

The frame structure of SUBUNIT INFO command is as shown below.

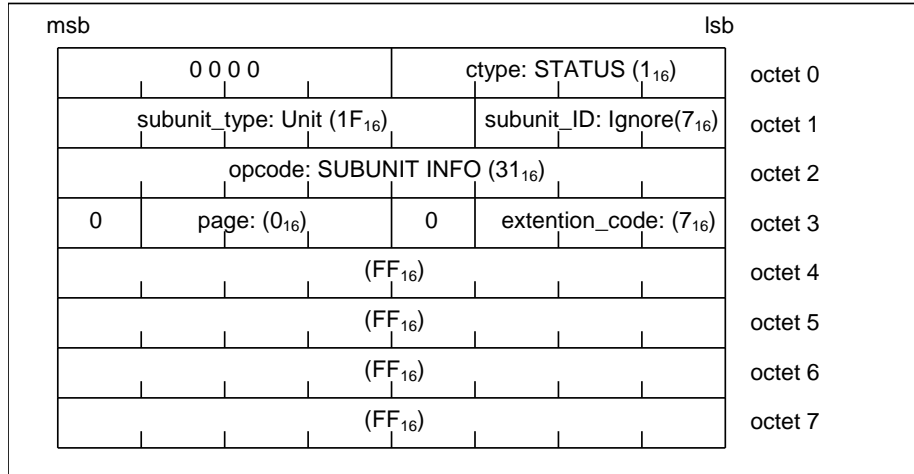


Figure 22.3: SUBUNIT INFO Command Frame

An example of a response returned to above command frame is as follows.

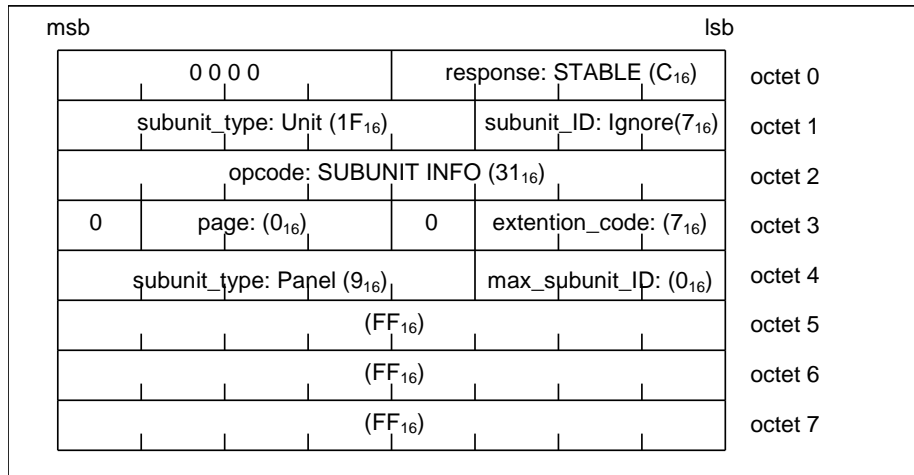


Figure 22.4: SUBUNIT INFO Response Frame

If, in future, a Bluetooth AV control profile that applies AV/C command set is defined, and if a TG supports this AV control profile in addition to AVRCP, the TG returns all of its supporting subunits including Panel in *page\_data* field.

## 22.3 PASS THROUGH command

The PASS THROUGH command is a command sent when a “PLAY” button on a CT is pushed by a user. Its frame structure is as shown below. A CT sends a command frame with its *state\_flag* field in value 0 when a button is pushed, and in value 1 when the button is released.

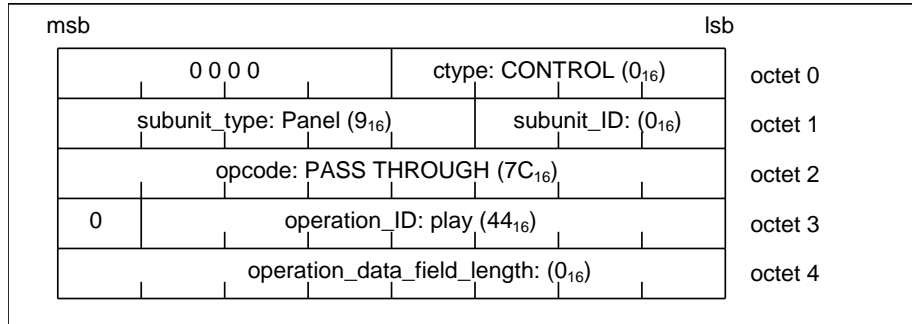


Figure 22.5: PASS THROUGH Command Frame

An example of a response returned to above command frame is as follows.

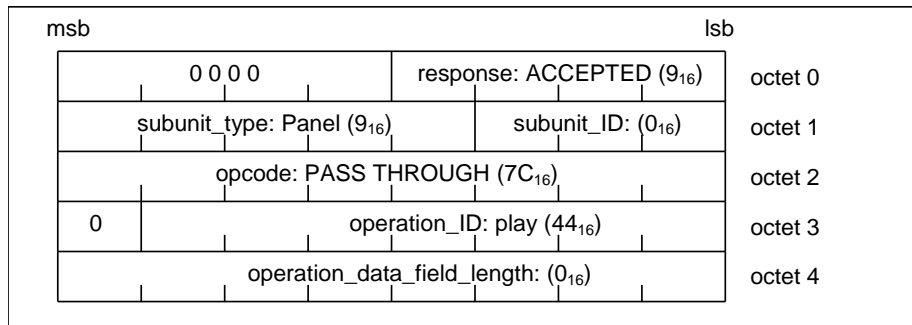


Figure 22.6: PASS THROUGH Response Frame

## 22.4 Get Capability for Company ID

– Get Capability command for Company ID

Oct	MSB (7)	6	5	4	3	2	1	LSB (0)
0	0x0				Ctype: 0x1 (STATUS)			
1	Subunit_type: 0x9 (PANEL)					Subunit_ID: 0x0		
2	Opcode: 0x0 (VENDOR DEPENDENT)							
3-5	Company ID: Bluetooth SIG registered CompanyID							
6	PDU ID (0x10 - Get Capabilities)							
7	Reserved (0x00)						Packet Type (0x0)	
8-9	Parameter Length (0x0001)							
10	Capability ID: 0x2 (CompanyID)							

Get Capability response for Company ID

Oct	MSB (7)	6	5	4	3	2	1	LSB (0)
-----	---------	---	---	---	---	---	---	---------

*Audio/Video Remote Control Profile (AVRCP)*

0	0x0	Response: 0xC (STABLE)
1	Subunit_type: 0x9 (PANEL)	Subunit_ID: 0x0
2	Opcode: 0x0 (VENDOR DEPENDENT)	
3 -5	Company ID: Bluetooth SIG registered CompanyID	
6	PDU ID: 0x10 (Get Capabilities)	
7	Reserved: 0x00	Packet Type: 0x0
8 – 9	Parameter Length: 0x5	
10	Capability ID: 0x2 (CompanyID)	
11	Capability Count: 0x1	
12- 14	Company ID: Bluetooth SIG registered CompanyID	

## 22.5 Get Capability for Events

### Get Capability command for Events

Oct	MSB (7)	6	5	4	3	2	1	LSB (0)
0	0x0				Ctype: 0x1 (STATUS)			
1	Subunit_type: 0x9 (PANEL)					Subunit_ID: 0x0		
2	Opcode: 0x0 (VENDOR DEPENDENT)							
3 -5	Company ID: Bluetooth SIG registered CompanyID							
6	PDU ID (0x10 - Get Capabilities)							
7	Reserved (0x00)						Packet Type (0x0)	
8 - 9	Parameter Length (0x0001)							
10	Capability ID: 0x3 (EventsID)							

### Get Capability response for Events

Oct	MSB (7)	6	5	4	3	2	1	LSB (0)
0	0x0				Response: 0xC (STABLE)			
1	Subunit_type: 0x9 (PANEL)					Subunit_ID: 0x0		
2	Opcode: 0x0 (VENDOR DEPENDENT)							
3 -5	Company ID: Bluetooth SIG registered CompanyID							
6	PDU ID: 0x10 (Get Capabilities)							
7	Reserved: 0x00						Packet Type: 0x0	
8 - 9	Parameter Length: 0x5							
10	Capability ID: 0x3 (EventsID)							
11	Capability Count: 0x3							
12	EventID1: 0x1 (EVENT_PLAYBACK_STATUS_CHANGED)							
13	EventID2: 0x2 (EVENT_TRACK_CHANGED)							
14	EventID3: 0x8 (EVENT_PLAYER_APPLICATION_SETTING_CHANGED)							



## 22.6 List Application Settings Attributes

List Application Settings Attributes command

Oct	MSB (7)	6	5	4	3	2	1	LSB (0)
0	0x0				Ctype: 0x1 (STATUS)			
1	Subunit_type: 0x9 (PANEL)					Subunit_ID: 0x0		
2	Opcode: 0x0 (VENDOR DEPENDENT)							
3-5	Company ID: Bluetooth SIG registered CompanyID							
6	PDU ID (0x11 – ListApplicationSettingAttributes)							
7	Reserved (0x00)						Packet Type (0x0)	
8 – 9	Parameter Length (0x0)							

List Application Settings Attributes response

Oct	MSB (7)	6	5	4	3	2	1	LSB (0)
0	0x0				Response: 0xC (STABLE)			
1	Subunit_type: 0x9 (PANEL)					Subunit_ID: 0x0		
2	Opcode: 0x0 (VENDOR DEPENDENT)							
3-5	Company ID: Bluetooth SIG registered CompanyID							
6	PDU ID (0x11 – ListApplicationSettingAttributes)							
7	Reserved: 0x00						Packet Type: 0x0	
8 – 9	Parameter Length: 0x3							
10	NumPlayerApplicationSettingAttributes: 0x2							
11	PlayerApplicationSettingAttributeID1: 0x1 (Equalizer ON/OFF Status)							
12	PlayerApplicationSettingAttributeID2: 0x3 (Shuffle ON/OFF Status)							

## 22.7 Registration for notification of Event Track changed

### Register Notification command

Oct	MSB (7)	6	5	4	3	2	1	LSB (0)
0	0x0				Ctype: 0x3 (NOTIFY)			
1	Subunit_type: 0x9 (PANEL)					Subunit_ID: 0x0		
2	Opcode: 0x0 (VENDOR DEPENDENT)							
3 -5	Company ID: Bluetooth SIG registered CompanyID							
6	PDU ID (0x31 – Register Notification)							
7	Reserved (0x00)						Packet Type (0x0)	
8 – 9	Parameter Length (0x5)							
10	EventID2: 0x2 (EVENT_TRACK_CHANGED)							
11 14	Playback interval: 0x0 ( <i>Ignored for this event</i> )							

### Register Notification interim response

Oct	MSB (7)	6	5	4	3	2	1	LSB (0)
0	0x0				Response: 0xF (INTERIM)			
1	Subunit_type: 0x9 (PANEL)					Subunit_ID: 0x0		
2	Opcode: 0x0 (VENDOR DEPENDENT)							
3 -5	Company ID: Bluetooth SIG registered CompanyID							
6	PDU ID: 0x31 (Register Notification)							
7	Reserved: 0x00						Packet Type: 0x0	
8 – 9	Parameter Length: 0x9							
10	EventID2: 0x2 (EVENT_TRACK_CHANGED)							
11- 18	Identifier: 0xFFFFFFFFFFFFFFFF							

### Register Notification response

Oct	MSB (7)	6	5	4	3	2	1	LSB (0)
0	0x0				Response: 0xD (CHANGED)			
1	Subunit_type: 0x9 (PANEL)					Subunit_ID: 0x0		
2	Opcode: 0x0 (VENDOR DEPENDENT)							
3 -5	Company ID: Bluetooth SIG registered CompanyID							
6	PDU ID: 0x31 (Register Notification)							
7	Reserved: 0x00						Packet Type: 0x0	
8 – 9	Parameter Length: 0x9							
10	EventID2: 0x2 (EVENT_TRACK_CHANGED)							
11- 18	Identifier: 0x0							

## 22.8 Get Element Attributes

### Get Element Attributes command

Oct	MSB(7)	6	5	4	3	2	1	LSB(0)
0	0x0				Ctype: 0x1 (STATUS)			
1	Subunit_type:0x9(PANEL)					Subunit_ID: 0x0		
2	Opcode: 0x0 (VENDOR DEPENDENT)							
3-5	Company ID: Bluetooth SIG registered CompanyID							
6	PDU ID (0x20 – GetElementAttributes)							
7	Reserved (0x00)						Packet Type (0x0)	
8-9	Parameter Length (0x11)							
10-17	Identifier: 0x0 (PLAYING)							
18	AttributeCount: 0x2							
19-22	Attribute1: 0x1 (TitleOfMedia)							
23-26	Attribute2: 0x7 (Playing Time)							

### Get Element Attributes response

Oct	MSB(7)	6	5	4	3	2	1	LSB(0)
0	0x0				Response: 0xC (STABLE)			
1	Subunit_type:0x9(PANEL)					Subunit_ID: 0x0		
2	Opcode: 0x0 (VENDOR DEPENDENT)							
3-5	Company ID: Bluetooth SIG registered CompanyID							
6	PDU ID (0x20 – GetElementAttributes)							
7	Reserved (0x00)						Packet Type (0x0)	
8-9	Parameter Length (0x2A)							
10	Number of Attributes (0x2)							
11-14	Attribute ID 1: 0x1 (TitleOfMedia)							
15-16	CharacterSetID1: 0x6A (UTF-8)							
17-18	AttributeValueLength1: 0x13							
19-37	AttributeValue1: 'Give Peace a Chance'							
38-41	Attribute ID 2: 0x7 (Playing Time)							
42-43	CharacterSetID2: 0x6A (UTF-8)							
44-45	AttributeValueLength2: 0x6							
46-51	AttributeValue2: '103000' (= 103000 ms – 103 sec. – 1min43s)							

## 22.9 Fragmentation

### Initial GetElementAttributes Command

Oct	MSB (7)	6	5	4	3	2	1	LSB (0)
0	0x0				Ctype: 0x1 (STATUS)			
1	Subunit_type:0x9 (PANEL)					Subunit_ID: 0x0		
2	Opcode: 0x0 (VENDOR DEPENDENT)							
3-5	Company ID: Bluetooth SIG registered CompanyID							
6	PDU ID (0x20 – GetElementAttributes)							
7	Reserved (0x00)						Packet Type (0x0)	
8 – 9	Parameter Length (0x11)							
10-17	Identifier: 0x0 (PLAYING)							
18	AttributeCount: 0x2							
19-22	Attribute1: 0x1 (TitleOfMedia)							
23-26	Attribute2: 0x7 (Playing Time)							

### Start Fragment GetElementAttributes Response

Oct	MSB (7)	6	5	4	3	2	1	LSB (0)
0	0x0				Response: 0xC (STABLE)			
1	Subunit_type:0x9 (PANEL)					Subunit_ID: 0x0		
2	Opcode: 0x0 (VENDOR DEPENDENT)							
3-5	Company ID: Bluetooth SIG registered CompanyID							
6	PDU ID (0x20 – GetElementAttributes)							
7	Reserved (0x00)						Packet Type (0x1)	
8– 9	Parameter Length (0x1F6)							
10	Number of Attributes (0x2)							
11-14	Attribute ID 1: 0x1 (TitleOfMedia)							
15-16	CharacterSetID1: 0x6A (UTF-8)							
17-18	AttributeValueLength1: 0x1FA							
19-511	AttributeValue1: First 0x1ED octets							

### RequestContinuingResponse:

Oct	MSB (7)	6	5	4	3	2	1	LSB (0)
0	0x0				Ctype: 0x0 (CONTROL)			
1	Subunit_type:0x9 (PANEL)					Subunit_ID: 0x0		
2	Opcode: 0x0 (VENDOR DEPENDENT)							
3-5	Company ID: Bluetooth SIG registered CompanyID							
6	PDU ID (0x40 – RequestContinuingResponse)							
7	Reserved (0x00)						Packet Type (0x0)	
8 – 9	Parameter Length (0x1)							
10	PDU ID: 0x20							

End Fragment GetElementAttributes Response:

Oct	MSB (7)	6	5	4	3	2	1	LSB (0)
0	0x0				Response: 0xC (STABLE)			
1	Subunit_type:0x9 (PANEL)					Subunit_ID: 0x0		
2	Opcode: 0x0 (VENDOR DEPENDENT)							
3-5	Company ID: Bluetooth SIG registered CompanyID							
6	PDU ID (0x20 – GetElementAttributes)							
7	Reserved (0x00)					Packet Type (0x3)		
8–9	Parameter Length (0x1B)							
10-22	AttributeValue1: Last 0x0D octets							
23-26	Attribute ID 2: 0x7 (Playing Time)							
27-28	CharacterSetID2: 0x6A (UTF-8)							
29-30	AttributeValueLength2: 0x6							
31-36	AttributeValue2: '103000' (= 103000 ms – 103 sec. – 1min43s)							

**22.10 PASS THROUGH for Group Navigation**

PASS THROUGH command for Group Navigation

Oct	MSB (7)	6	5	4	3	2	1	LSB (0)
0	0x0				Ctype: 0x0 (CONTROL)			
1	Subunit_type:0x9 (PANEL)					Subunit_ID: 0x0		
2	Opcode: 0x7C (PASS THROUGH)							
3	State_flag *2	Operation_ID: 0x7E (VENDOR UNIQUE)						
4	Operation_data_field_length: 0x5							
5 - 7	Company ID: Bluetooth SIG registered CompanyID							
8 - 9	Vendor_unique_operation_id							

PASS THROUGH Response for Group Navigation

Oct	MSB (7)	6	5	4	3	2	1	LSB (0)
0	0x0				Response *1			
1	Subunit_type:0x9 (PANEL)					Subunit_ID: 0x0		
2	Opcode: 0x7C (PASS THROUGH)							
3	State_flag *2	Operation_ID: 0x7E (VENDOR UNIQUE)						
4	Operation_data_field_length: 0x5							
5 - 7	Company ID: Bluetooth SIG registered CompanyID							
8 - 9	Vendor_unique_operation_id							

\*1 0x8(NOT\_IMPLEMENTED), 0x9 (ACCEPTED), 0xA (REJECTED)

\*2 A CT sends a command frame with its state\_flag field in value 0 when a button is pushed and in value 1 when the button is released.

## 22.11 Set Addressed Player

Control command for Set Addressed Player.

Oct	MSB (7)	6	5	4	3	2	1	LSB (0)
0	0x0				Ctype: 0x0 (CONTROL)			
1	Subunit_type:0x9 (PANEL)					Subunit_ID: 0x0		
2	Opcode: 0x0 (VENDOR DEPENDENT)							
3-5	Company ID: Bluetooth SIG registered CompanyID							
6	PDU ID (0x60 – SetAddressedPlayer)							
7	Reserved (0x00)						Packet Type (0x0)	
8 – 9	Parameter Length (0x2)							
10 – 11	Player Id as defined in Section <a href="#">6.10.2.1</a>							

Response for Set Addressed Player.

Oct	MSB (7)	6	5	4	3	2	1	LSB (0)
0	0x0				Ctype: 0x9 (Accepted)			
1	Subunit_type:0x9 (PANEL)					Subunit_ID: 0x0		
2	Opcode: 0x0 (VENDOR DEPENDENT)							
3-5	Company ID: Bluetooth SIG registered CompanyID							
6	PDU ID (0x60 – SetAddressedPlayer)							
7	Reserved (0x00)						Packet Type (0x0)	
8 – 9	Parameter Length (0x1)							
10	Status as defined in Section <a href="#">6.15.3</a>							

## 22.12 Addressed Player Changed Notification

Addressed Player Changed Notification Command.

Oct	MSB (7)	6	5	4	3	2	1	LSB (0)
0	0x0				Ctype: 0x3 (NOTIFY)			
1	Subunit_type:0x9 (PANEL)					Subunit_ID: 0x0		
2	Opcode: 0x0 (VENDOR DEPENDENT)							
3-5	Company ID: Bluetooth SIG registered CompanyID							
6	PDU ID (0x31 – Register Notification)							
7	Reserved (0x00)						Packet Type (0x0)	
8 – 9	Parameter Length (0x5)							

10	EventID2: 0xb (EVENT_ADDRESSED_PLAYER_CHANGED)
11	<i>Reserved</i>
14	

Addressed Player Changed Notification Response.

Oct	MSB (7)	6	5	4	3	2	1	LSB (0)
0	0x0				Response: 0xD (CHANGED)			
1	Subunit_type: 0x9 (PANEL)					Subunit_ID: 0x0		
2	Opcode: 0x0 (VENDOR DEPENDENT)							
3 -5	Company ID: Bluetooth SIG registered CompanyID							
6	PDU ID: 0x31 (Register Notification)							
7	Reserved: 0x00					Packet Type: 0x0		
8 - 9	Parameter Length: 0x5							
10	EventID2: 0xb (EVENT_ADDRESSED_PLAYER_CHANGED)							
11 - 12	PlayerId as defined in Section <a href="#">6.10.2.1</a>							
13- 14	UID Counter as defined in Section <a href="#">6.10.3</a>							

**22.13 Available Players Changed Notification**

Available Players Changed Notification Command.

Oct	MSB (7)	6	5	4	3	2	1	LSB (0)
0	0x0				Ctype: 0x3 (NOTIFY)			
1	Subunit_type:0x9 (PANEL)					Subunit_ID: 0x0		
2	Opcode: 0x0 (VENDOR DEPENDENT)							
3 -5	Company ID: Bluetooth SIG registered CompanyID							
6	PDU ID (0x31 – Register Notification)							
7	Reserved (0x00)					Packet Type (0x0)		
8 - 9	Parameter Length (0x5)							
10	EventID2: 0x0a (EVENT_AVAILABLE_PLAYERS_CHANGED)							
11	<i>Reserved</i>							
14								

Available Players Changed Notification Response.

Oct	MSB (7)	6	5	4	3	2	1	LSB (0)
0	0x0				Response: 0xD (CHANGED)			
1	Subunit_type: 0x9 (PANEL)					Subunit_ID: 0x0		

2	Opcode: 0x0 (VENDOR DEPENDENT)						
3 -5	Company ID: Bluetooth SIG registered CompanyID						
6	PDU ID: 0x31 (Register Notification)						
7	Reserved: 0x00					Packet Type: 0x0	
8 - 9	Parameter Length: 0x1						
10	EventID2: 0x0a (EVENT_AVAILABLE_PLAYERS_CHANGED)						

## 22.14 Now Playing Content Changed Notification

Now Playing Content Changed Notification Command.

Oct	MSB (7)	6	5	4	3	2	1	LSB (0)
0	0x0				Ctype: 0x3 (NOTIFY)			
1	Subunit_type:0x9 (PANEL)					Subunit_ID: 0x0		
2	Opcode: 0x0 (VENDOR DEPENDENT)							
3 -5	Company ID: Bluetooth SIG registered CompanyID							
6	PDU ID (0x31 – Register Notification)							
7	Reserved (0x00)					Packet Type (0x0)		
8 - 9	Parameter Length (0x5)							
10	EventID: 0x09 (EVENT_NOW_PLAYING_CONTENT_CHANGED)							
11 14	Reserved							

Now Playing Content Changed Notification Response.

Oct	MSB (7)	6	5	4	3	2	1	LSB (0)
0	0x0				Response: 0xD (CHANGED)			
1	Subunit_type: 0x9 (PANEL)					Subunit_ID: 0x0		
2	Opcode: 0x0 (VENDOR DEPENDENT)							
3 -5	Company ID: Bluetooth SIG registered CompanyID							
6	PDU ID: 0x31 (Register Notification)							
7	Reserved: 0x00					Packet Type: 0x0		
8 - 9	Parameter Length: 0x1							
10	EventID: 0x09 (EVENT_NOW_PLAYING_CONTENT_CHANGED)							

## 22.15 UIDs Changed Notification

UIDs changed notification command.

Oct	MSB (7)	6	5	4	3	2	1	LSB (0)
0	0x0				Ctype: 0x3 (NOTIFY)			



1	Subunit_type:0x9 (PANEL)	Subunit_ID: 0x0
2	Opcode: 0x0 (VENDOR DEPENDENT)	
3-5	Company ID: Bluetooth SIG registered CompanyID	
6	PDU ID (0x31 – Register Notification)	
7	Reserved (0x00)	Packet Type (0x0)
8 – 9	Parameter Length (0x5)	
10	EventID: 0x0c (EVENT_UIDS_CHANGED)	
11 – 14	<i>Reserved</i>	

UIDs changed notification response.

Oct	MSB (7)	6	5	4	3	2	1	LSB (0)
0	0x0				Response: 0xD (CHANGED)			
1	Subunit_type: 0x9 (PANEL)					Subunit_ID: 0x0		
2	Opcode: 0x0 (VENDOR DEPENDENT)							
3-5	Company ID: Bluetooth SIG registered CompanyID							
6	PDU ID: 0x31 (Register Notification)							
7	Reserved: 0x00						Packet Type: 0x0	
8 – 9	Parameter Length: 0x3							
10	EventID: 0x0c (EVENT_UIDS_CHANGED)							
11-12	UID Counter as defined in Section <a href="#">6.10.3</a>							

## 22.16 Set Absolute Volume

Set Absolute Volume Command.

Oct	MSB (7)	6	5	4	3	2	1	LSB (0)
0	0x0				Ctype: 0x0 (CONTROL)			
1	Subunit_type:0x9 (PANEL)					Subunit_ID: 0x0		
2	Opcode: 0x00 (Vendor Dependent)							
3 – 5	Company ID: Bluetooth SIG registered CompanyID							
6	PDU ID: 0x50 (SetAbsoluteVolume)							
7	Reserved (0x00)						Packet Type (0x0)	
8 – 9	Parameter Length (0x1)							
10	RFD	Absolute Volume						

Set Absolute Volume Response.

Oct	MSB (7)	6	5	4	3	2	1	LSB (0)
0	0x0				Ctype: 0x9 (ACCEPTED)			
1	Subunit_type:0x9 (PANEL)					Subunit_ID: 0x0		
2	Opcode: 0x00 (Vendor Dependent)							
3 – 5	Company ID: Bluetooth SIG registered CompanyID							
6	PDU ID: 0x50 (SetAbsoluteVolume)							
7	Reserved (0x00)						Packet Type (0x0)	
8 – 9	Parameter Length (0x1)							
10	RFD	Absolute Volume						

### 22.17 Volume Changed Notification

Volume Changed Notification Command.

Oct	MSB (7)	6	5	4	3	2	1	LSB (0)
0	0x0				Ctype: 0x3 (NOTIFY)			
1	Subunit_type:0x9 (PANEL)					Subunit_ID: 0x0		
2	Opcode: 0x0 (VENDOR DEPENDENT)							
3 -5	Company ID: Bluetooth SIG registered CompanyID							
6	PDU ID (0x31 – Register Notification)							
7	Reserved (0x00)						Packet Type (0x0)	
8 – 9	Parameter Length (0x5)							
10	EventID: 0x0d (EVENT_ VOLUME_CHANGED)							
11- 14	Reserved							

Volume Changed Notification Response.

Oct	MSB (7)	6	5	4	3	2	1	LSB (0)
0	0x0				Response: 0xD (CHANGED)			
1	Subunit_type: 0x9 (PANEL)					Subunit_ID: 0x0		
2	Opcode: 0x0 (VENDOR DEPENDENT)							
3 -5	Company ID: Bluetooth SIG registered CompanyID							
6	PDU ID: 0x31 (Register Notification)							
7	Reserved: 0x00						Packet Type: 0x0	
8 – 9	Parameter Length: 0x2							
10	EventID2: 0x0d (EVENT_ VOLUME_CHANGED)							
11	RFD	Absolute Volume						

## 22.18 Set Browsed Player

Browsing command for Set Browsed Player.

Oct	MSB (7)	6	5	4	3	2	1	LSB (0)
0	PDU ID: 0x70 (SetBrowsedPlayer)							
1 – 2	Parameter Length : 0x02							
3 – 4	Player Id: 0x0001							

Response for Set Browsed Player.

Oct	MSB (7)	6	5	4	3	2	1	LSB (0)
0	PDU ID: 0x70 (SetBrowsedPlayer)							
1 – 2	Parameter Length : 0x16							
3	Status: 0x04 (Operation completed without error)							
4 – 5	UID Counter: 0x1357							
6-9	Number of Items: 0x4							
10 – 11	Character Set Id: 0x006A (UTF-8)							
12	Folder Depth : 0x03							
13 – 14	Folder Name Length: 0x0001							
15	Folder Name: 'A' (0x41)							
16 – 17	Folder Name Length: 0x0002							
18 – 19	Folder Name: 'BC' (0x42 0x43)							
20 – 21	Folder Name Length: 0x0003							
22 – 24	Folder Name: 'DEF' (0x44 0x45 0x46)							

## 22.19 Get Folder Items

Browsing command for Get Folder Items.(MediaPlayerList)

Oct	MSB (7)	6	5	4	3	2	1	LSB (0)
0	PDU ID: 0x71 (GetFolderItems)							
1 – 2	Parameter Length : 0x0006							

Audio/Video Remote Control Profile (AVRCP)

3	Scope: 0x00 (Media Player List)
4 – 7	Start Item: 0x00000000
8 – 11	End Item: 0x00000002
12	AttributeCount: 0x00
-	(Attribute ID is omitted)

Response for Get Folder Items.(MediaPlayerList)

Oct	MSB (7)	6	5	4	3	2	1	LSB (0)
0	PDU ID: 0x71 (GetFolderItems)							
1 – 2	Parameter Length : 0x007d (125)							
3	Status: 0x04 (Operation completed without error)							
4 – 5	UID Counter: 0x1357							
6 – 7	Number of Items: 0x0003							
8	Item Type: 0x01 (Media Player Item)							
9 – 10	Item Length: 0x0027 (39)							
11 – 12	Player Id: 0x0001							
13	Major Player Type: 0x01 (Audio)							
14 – 17	Player Sub Type: 0x00000000 (None)							
18	Play Status: 0x00 (Stopped)							
19 – 34	Feature Bit Mask: 0x0000000000B701EF02000000000000 (Support Play / Stop / Pause / Rewind / fast forward / Forward / Backward / Vendor Unique / Basic Group Navigation / Advanced Control Player / Browsing / AddToNowPlaying / UIDs unique / OnlyBrowsableWhenAddressed / NowPlaying)							
35 – 36	Character Set Id: 0x006A (UTF-8)							
37 – 38	Displayable Name Length: 0x000b							
39 – 49	Displayable Name: 'Beat Player' (0x42 0x65 0x61 0x74 0x20 0x50 0x6c 0x61 0x79 0x65 0x72)							
50	Item Type: 0x01 (Media Player Item)							
51 – 52	Item Length: 0x0024 (36)							
53 – 54	Player Id: 0x0002							
55	Major Player Type: 0x02 (Broadcasting Audio)							

Audio/Video Remote Control Profile (AVRCP)

56 – 59	Player Sub Type: 0x00000000 (None)
60	Play Status: 0x01 (Playing)
61 – 76	Feature Bit Mask: 0x00000038000000040000000000000000 (Support channel up / channel down / previous channel / Advanced Control Player )
77 – 78	Character Set Id: 0x006A (UTF-8)
79 – 80	Displayable Name Length:0x0008
81 – 88	Displayable Name: 'FM Radio' (0x46 0x4d 0x20 0x52 0x61 0x64 0x69 0x6f)
89	Item Type: 0x01 (Media Player Item)
90 – 91	Item Length: 0x0025 (37)
92 – 93	Player Id: 0x0003
94	Major Player Type: 0x01 (Audio)
95 – 96	Player Sub Type: 0x0001 (Audio Book)
97	Play Status: 0x02 (Paused)
98 – 113	Feature Bit Mask: 0x0000000000B701EF02000000000000 (Support Play / Stop / Pause / Rewind / fast forward / Forward / Backward / Vendor Unique / Basic Group Navigation / Advanced Control Player / Browsing / AddToNowPlaying / UIDs unique / OnlyBrowsableWhenAddressed / NowPlaying)
114 – 115	Character Set Id: 0x006A (UTF-8)
116 – 117	Displayable Name Length: 0x000b
118 – 128	Displayable Name: 'Book Reader' (0x42 0x6f 0x6f 0x6b 0x20 0x52 0x65 0x61 0x64 0x65 0x72)

Browsing command for Get Folder Items.(Filesystem)

Oct	MSB (7)	6	5	4	3	2	1	LSB (0)
0	PDU ID: 0x71 (GetFolderItems)							
1 – 2	Parameter Length : 0x000d							
3	Scope: 0x01 (Media Player Virtual Filesystem)							
4 – 7	Start Item: 0x00000000							
8 – 11	End Item: 0x00000001							

Audio/Video Remote Control Profile (AVRCP)

12	AttributeCount: 0x02
13 – 16	Attribute ID: 0x00000001 (Title of the media)
17 – 20	Attribute ID: 0x00000002 (Name of the artist)

Response for Get Folder Items.(Filesystem)

Oct	MSB (7)	6	5	4	3	2	1	LSB (0)
0	PDU ID: 0x71 (GetFolderItems)							
1 – 2	Parameter Length : 0x0056 (86)							
3	Status: 0x04 (Operation completed without error)							
4 – 5	UID Counter: 0x2468							
6 – 7	Number of Items: 0x0002							
8	Item Type: 0x02 (Folder Item)							
9 – 10	Item Length: 0x0017(23)							
11 – 18	Folder UID: 0x0000000000000005							
19	Folder Type: 0x05 (Playlists)							
20	Is Playable: 0x01 (The folder can be played)							
21 – 22	Character Set Id: 0x006A (UTF-8)							
23 – 24	Displayable Name Length: 0x0009							
25 – 33	Displayable Name:'songlists' (0x73 0x6f 0x6e 0x67 0x6c 0x69 0x73 0x74 0x73)							
34	Item Type: 0x03 (Media Element Item)							
35 – 36	Item Length: 0x0035 (53)							
37 – 44	Media Element UID: 0x0000000000000007							
45	Media Type: 0x00 (Audio)							
46 – 47	Character Set Id: 0x006A (UTF-8)							
48 – 49	Displayable Name Length: 0x0008							
50 – 57	Displayable Name: 'Tomorrow' (0x54 0x6f 0x6d 0x6f 0x72 0x72 0x6f 0x77)							
58	Number of Attributes: 0x02							

*Audio/Video Remote Control Profile (AVRCP)*

59 – 62	Attribute ID: 0x00000001 (Title of the media)
63 – 64	Character Set Id: 0x006A (UTF-8)
65 – 66	Attribute Value Length: 0x0008
67 – 74	Attribute Value: 'Tomorrow' (0x54 0x6f 0x6d 0x6f 0x72 0x72 0x6f 0x77)
75 – 78	Attribute ID: 0x00000002 (Name of the artist)
79 – 80	Character Set Id: 0x006A (UTF-8)
81 – 82	Attribute Value Length: 0x0007
83 – 89	Attribute Value: 'Foo Bar' (0x46 0x6f 0x6f 0x20 0x42 0x61 0x72)

## 22.20 ChangePath

Browsing command for ChangePath

Oct	MSB (7)	6	5	4	3	2	1	LSB (0)
0	PDU ID: 0x72 (ChangePath)							
1 – 2	Parameter Length : 0x000B							
3 - 4	UID Counter : 0x1234							
5	Direction: 0x01 (Folder Down)							
6 – 13	Folder UID: 0x0000000000000005							

Response for ChangePath

Oct	MSB (7)	6	5	4	3	2	1	LSB (0)
0	PDU ID: 0x72 (ChangePath)							
1 – 2	Parameter Length : 0x0005							
3	Status: 0x04 (Operation completed without error)							
4 – 7	Number of Items: 0x00000004							

## 22.21 Get Item Attributes

Browsing command for GetItemAttributes.

Audio/Video Remote Control Profile (AVRCP)

Oct	MSB (7)	6	5	4	3	2	1	LSB (0)
0	PDU ID: 0x73 (GetItemAttributes)							
1 – 2	Parameter Length : 0x0018 (24)							
3	Scope: 0x03 (Now Playing)							
4 – 11	UID: 0x0000000000000007							
12 – 13	UID Counter: 0x2468							
14	Number of Attributes: 0x03							
15 – 18	Attribute ID: 0x00000001 (Title of the media)							
19 – 22	Attribute ID: 0x00000002 (Name of the artist)							
23 – 26	Attribute ID: 0x00000004 (Number of the media)							

Response for GetItemAttributes

Oct	MSB (7)	6	5	4	3	2	1	LSB (0)
0	PDU ID: 0x73 (GetItemAttributes)							
1 – 2	Parameter Length : 0x002a (42)							
3	Status: 0x04 (Operation completed without error)							
4	Number of Attributes: 0x03							
5 – 8	Attribute ID: 0x00000001 (Title of the media)							
9 – 10	Character Set Id: 0x006A (UTF-8)							
11 – 12	Attribute Value Length: 0x0008							
13 – 20	Attribute Value: 'Tomorrow' (0x54 0x6f 0x6d 0x6f 0x72 0x72 0x6f 0x77)							
21 – 24	Attribute ID: 0x00000002 (Name of the artist)							
25 – 26	Character Set Id: 0x006A (UTF-8)							
27 – 28	Attribute Value Length: 0x0007							
29 – 35	Attribute Value: 'Foo Bar' (0x46 0x6f 0x6f 0x20 0x42 0x61 0x72)							
36 – 39	Attribute ID: 0x00000004 (Number of the media)							



40 – 41	Character Set Id: 0x006A (UTF-8)
42 – 43	Attribute Value Length: 0x01
44	Attribute Value: '1' (0x31)

## 22.22 Search

Browsing command for Search.

Oct	MSB (7)	6	5	4	3	2	1	LSB (0)
0	PDU ID: 0x80 (Search)							
1 – 2	Parameter Length : 0x000b (11)							
3 – 4	Character Set Id: 0x006A (UTF-8)							
5 – 6	Length : 0x0007							
7 – 13	Search String: 'Country' (0x43 0x6f 0x75 0x6e 0x74 0x72 0x79)							

Response for Search

Oct	MSB (7)	6	5	4	3	2	1	LSB (0)
0	PDU ID: 0x80 (Search)							
1 – 2	Parameter Length : 0x0007							
3	Status: 0x04 (Operation completed without error)							
4 – 5	UID Counter: 0x1357							
6 – 9	Number of Items: 0x00000005							

## 22.23 Play Item

Control command for Play Item.

Oct	MSB (7)	6	5	4	3	2	1	LSB (0)
0	0x0				Ctype: 0x1 (CONTROL)			
1	Subunit_type:0x9 (PANEL)					Subunit_ID: 0x0		
2	Opcode: 0x0 (VENDOR DEPENDENT)							
3 -5	Company ID: Bluetooth SIG registered CompanyID							
6	PDU ID: 0x74 (PlayItem)							
7	Reserved (0x00)						Packet Type (0x0)	

Audio/Video Remote Control Profile (AVRCP)

8 - 9	Parameter Length: 0x000b (11)
10	Scope: 0x01 (Media Player Virtual Filesystem)
11 - 18	UID: 0x00000000000000005
19 - 20	UID Counter: 0x2468

Response for Play Item

Oct	MSB (7)	6	5	4	3	2	1	LSB (0)
0	0x0				Ctype: 0x9 (Accepted)			
1	Subunit_type:0x9 (PANEL)					Subunit_ID: 0x0		
2	Opcode: 0x0 (VENDOR DEPENDENT)							
3 -5	Company ID: Bluetooth SIG registered CompanyID							
6	PDU ID: 0x74 (PlayItem)							
7	Reserved (0x00)						Packet Type (0x0)	
8 - 9	Parameter Length : 0x0001							
10	Status: 0x04 (Operation completed without error)							

## 22.24 AddToNowPlaying

Control command for AddToNowPlaying.

Oct	MSB (7)	6	5	4	3	2	1	LSB (0)
0	0x0				Ctype: 0x1 (CONTROL)			
1	Subunit_type:0x9 (PANEL)					Subunit_ID: 0x0		
2	Opcode: 0x0 (VENDOR DEPENDENT)							
3 -5	Company ID: Bluetooth SIG registered CompanyID							
6	PDU ID: 0x90 (AddToNowPlaying)							
7	Reserved (0x00)						Packet Type (0x0)	
8 - 9	Parameter Length: 0x000b (11)							
10	Scope: 0x01 (Media Player Virtual Filesystem)							
11 - 18	UID: 0x00000000000000007							
19 - 20	UID Counter: 0x2468							

Response for AddToNowPlaying

Oct	MSB (7)	6	5	4	3	2	1	LSB (0)
0	0x0				Ctype: 0x9 (Accepted)			

*Audio/Video Remote Control Profile (AVRCP)*

1	Subunit_type:0x9 (PANEL)	Subunit_ID: 0x0
2	Opcode: 0x0 (VENDOR DEPENDENT)	
3 -5	Company ID: Bluetooth SIG registered CompanyID	
6	PDU ID: 0x90 (AddToNowPlaying)	
7	Reserved (0x00)	Packet Type (0x0)
8 – 9	Parameter Length : 0x0001	
10	Status: 0x04 (Operation completed without error)	

## 23 Appendix E: List of Media Attributes

The table below provides the list of IDs for Attributes. These IDs are used to uniquely identify media information. Additional information on Media Attributes is available in Bluetooth Assigned Numbers [6].

Attribute ID	Description	Contents	Mandatory/ Optional
0x0	Not Used		
0x1	Title	Text field representing the title, song name or content description coded per specified character set.	M
0x2	Artist Name	Text field representing artist(s), performer(s) or group coded per specified character set.	O
0x3	Album Name	Text field representing the title of the recording (source) from which the audio in the file is taken.	O
0x4	Track Number	Numeric ASCII string containing the order number of the audio-file on its original recording.	O
0x5	Total Number of Tracks	Numeric ASCII string containing the total number of tracks or elements on the original recording.	O
0x6	Genre	Text field representing the category of the composition characterized by a particular style.	O
0x7	Playing Time	Numeric ASCII string containing the length of the audio file in milliseconds. (E.g. 02:30 = 150000)	O
0x8-0xFFFFFFFF	Reserved		

Table 23.1: Attribute IDs

NOTE: If the track title is not available the TG shall try to identify the track in other ways or send information about the media. If no information is available an empty string of zero length may be sent.

## 24 Appendix F: List of defined Player Application Settings and Values

The table below provides the list of IDs for player application settings. These IDs are used to uniquely identify and exchange information on player application settings between the TG and the CT. Additional information on Player Application Settings is available in Bluetooth Assigned Numbers [6].

Player Application Setting Attribute	Attribute Description	Defined Values	M/O														
0x00	Illegal , Should not be used	None	O														
0x01	Equalizer ON/OFF status	<table border="1"> <thead> <tr> <th colspan="2">PlayerApplicationSettingValueID</th> </tr> <tr> <th>ValueID</th> <th>Description</th> </tr> </thead> <tbody> <tr> <td>0x01</td> <td>OFF</td> </tr> <tr> <td>0x02</td> <td>ON</td> </tr> <tr> <td>0x03-0xFF</td> <td>Reserved for future use</td> </tr> </tbody> </table>	PlayerApplicationSettingValueID		ValueID	Description	0x01	OFF	0x02	ON	0x03-0xFF	Reserved for future use	O				
PlayerApplicationSettingValueID																	
ValueID	Description																
0x01	OFF																
0x02	ON																
0x03-0xFF	Reserved for future use																
0x02	Repeat Mode status	<table border="1"> <thead> <tr> <th colspan="2">PlayerApplicationSettingValueID</th> </tr> <tr> <th>ValueID</th> <th>Description</th> </tr> </thead> <tbody> <tr> <td>0x01</td> <td>OFF</td> </tr> <tr> <td>0x02</td> <td>Single track repeat</td> </tr> <tr> <td>0x03</td> <td>All track repeat</td> </tr> <tr> <td>0x04</td> <td>Group repeat</td> </tr> <tr> <td>0x05-0xFF</td> <td>Reserved for future use</td> </tr> </tbody> </table>	PlayerApplicationSettingValueID		ValueID	Description	0x01	OFF	0x02	Single track repeat	0x03	All track repeat	0x04	Group repeat	0x05-0xFF	Reserved for future use	O
PlayerApplicationSettingValueID																	
ValueID	Description																
0x01	OFF																
0x02	Single track repeat																
0x03	All track repeat																
0x04	Group repeat																
0x05-0xFF	Reserved for future use																
0x03	Shuffle ON/OFF status	<table border="1"> <thead> <tr> <th colspan="2">PlayerApplicationSettingValueID</th> </tr> <tr> <th>ValueID</th> <th>Description</th> </tr> </thead> <tbody> <tr> <td>0x01</td> <td>OFF</td> </tr> <tr> <td>0x02</td> <td>All tracks shuffle</td> </tr> <tr> <td>0x03</td> <td>Group shuffle</td> </tr> <tr> <td>0x04-0xFF</td> <td>Reserved for future use</td> </tr> </tbody> </table>	PlayerApplicationSettingValueID		ValueID	Description	0x01	OFF	0x02	All tracks shuffle	0x03	Group shuffle	0x04-0xFF	Reserved for future use	O		
PlayerApplicationSettingValueID																	
ValueID	Description																
0x01	OFF																
0x02	All tracks shuffle																
0x03	Group shuffle																
0x04-0xFF	Reserved for future use																
0x04	Scan ON/OFF status	<table border="1"> <thead> <tr> <th colspan="2">PlayerApplicationSettingValueID</th> </tr> <tr> <th>ValueID</th> <th>Description</th> </tr> </thead> <tbody> <tr> <td>0x01</td> <td>OFF</td> </tr> <tr> <td>0x02</td> <td>All tracks scan</td> </tr> <tr> <td>0x03</td> <td>Group scan</td> </tr> <tr> <td>0x04-0xFF</td> <td>Reserved for future use</td> </tr> </tbody> </table>	PlayerApplicationSettingValueID		ValueID	Description	0x01	OFF	0x02	All tracks scan	0x03	Group scan	0x04-0xFF	Reserved for future use	O		
PlayerApplicationSettingValueID																	
ValueID	Description																
0x01	OFF																
0x02	All tracks scan																
0x03	Group scan																
0x04-0xFF	Reserved for future use																
0x05 – 0x7F	Reserved for future use		O														
0x80 – 0xFF	Provided for TG driven static media player menu extension		O														

	by CT		
--	-------	--	--

Table 24.1: *PlayerApplicationSettingAttributeIDs*

## 25 Appendix H: List of defined notification events

The table below gives the list of EventIDs defined in this specification to be supported by TG. Additional information on EventIDs is available in Bluetooth Assigned Numbers [6].

EventID	Description
EVENT_PLAYBACK_STATUS_CHANGED (0x01)	Change in playback status of the current track.
EVENT_TRACK_CHANGED (0x02)	Change of current track
EVENT_TRACK_REACHED_END (0x03)	Reached end of a track
EVENT_TRACK_REACHED_START (0x04)	Reached start of a track
EVENT_PLAYBACK_POS_CHANGED (0x05)	Change in playback position. Returned after the specified playback notification change notification interval
EVENT_BATT_STATUS_CHANGED (0x06)	Change in battery status
EVENT_SYSTEM_STATUS_CHANGED (0x07)	Change in system status
EVENT_PLAYER_APPLICATION_SETTING_CHANGED (0x08)	Change in player application setting
EVENT_NOW_PLAYING_CONTENT_CHANGED (0x09)	The content of the Now Playing list has changed, see Section 6.9.5.
EVENT_AVAILABLE_PLAYERS_CHANGED (0x0a)	The available players have changed, see Section 6.9.4.
EVENT_ADDRESSED_PLAYER_CHANGED (0x0b)	The Addressed Player has been changed, see Section 6.9.2.
EVENT_UIDS_CHANGED (0x0c)	The UIDs have changed, see Section 6.10.3.3.
EVENT_VOLUME_CHANGED (0x0d)	The volume has been changed locally on the TG, see Section 6.13.3.
0x0e-0xFF	Reserved for future use

## 26 Appendix J: List of Example MSCs of different AVRCP Specific Commands (informative)

### 26.1 MSC for track change event

Below is an example MSC on how to access track information from TG when a track change event occurs due to a PASSTHROUGH command from CT.

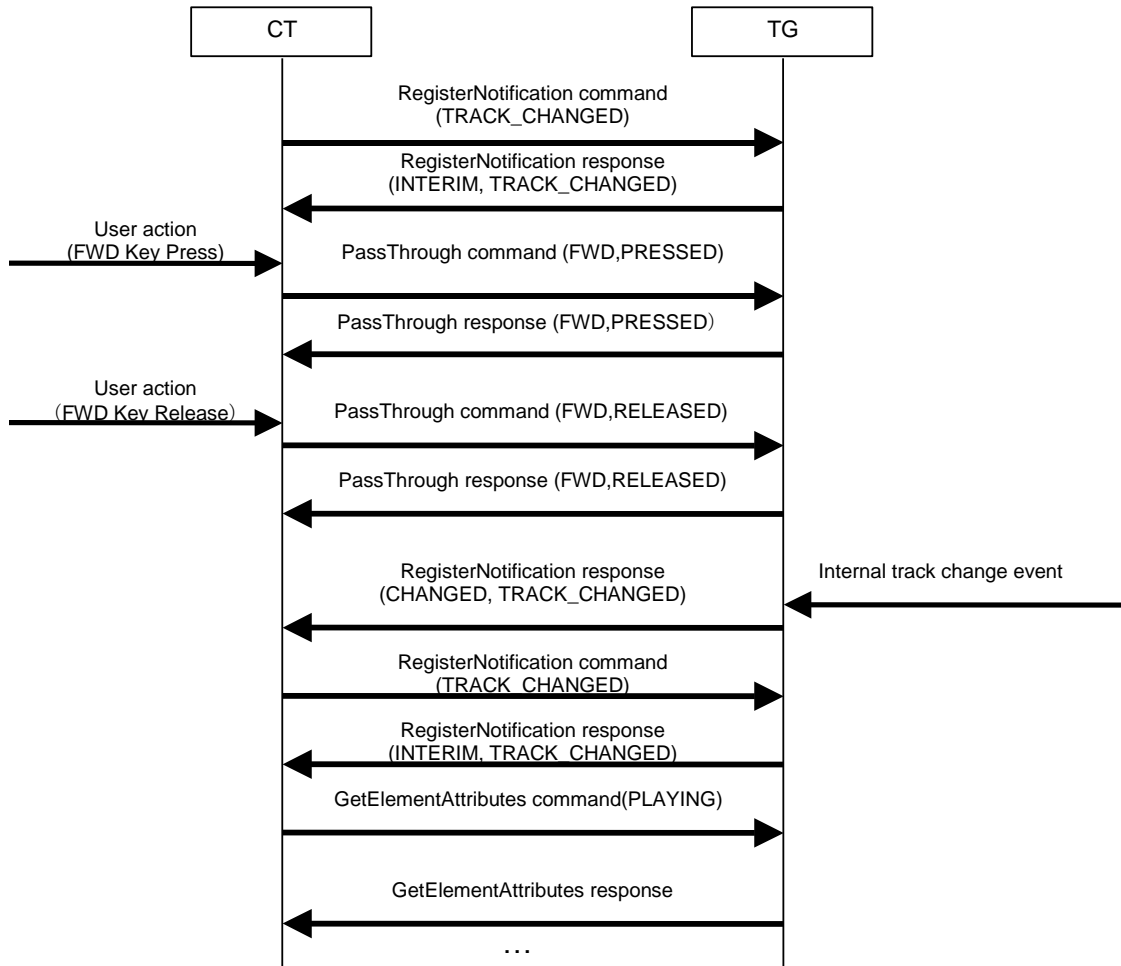


Figure 26.1 Example Message Sequence Chart



## 26.2 InformDisplayableCharacterSet

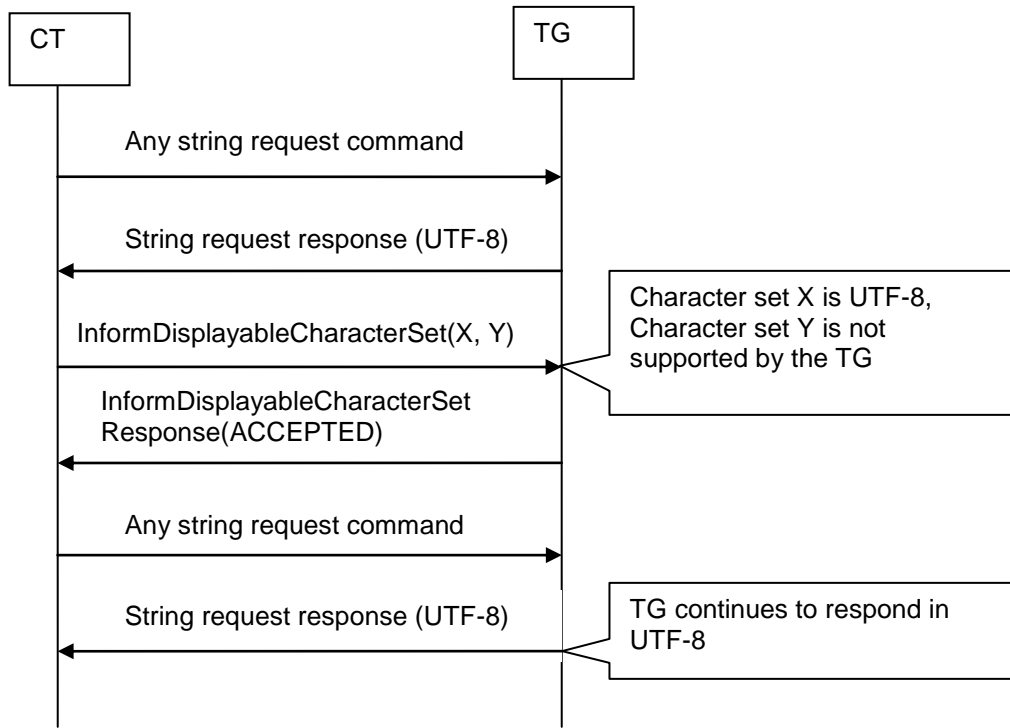


Figure 26.2: Example of using *InformDisplayableCharacterSet* where the TG does not support any of the listed character sets other than UTF-8

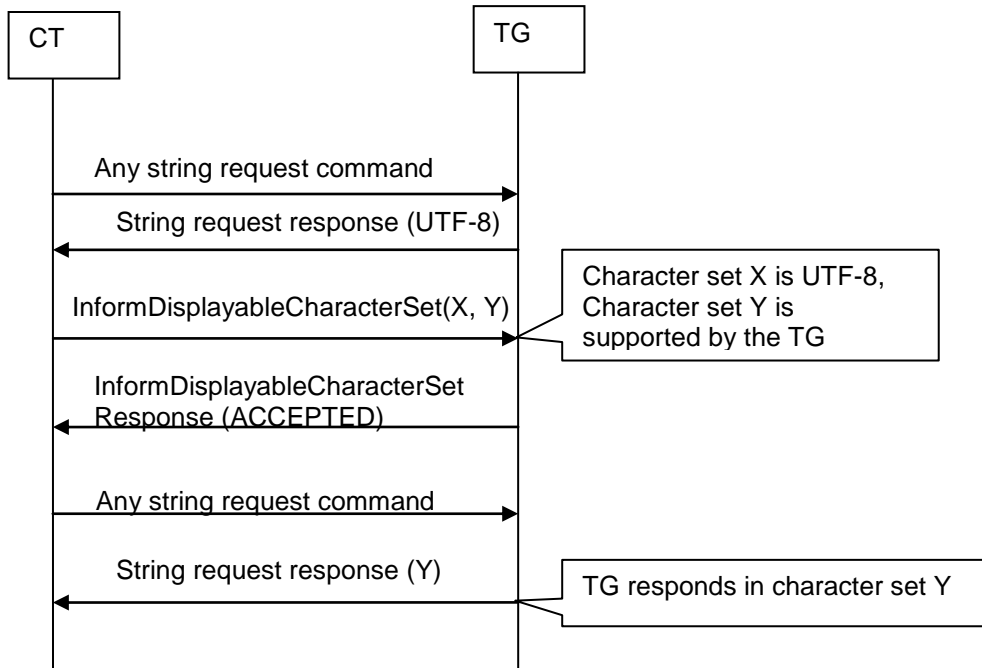


Figure 26.3: Example of using *InformDisplayableCharacterSet* where the TG supports at least one of the listed character sets in addition to UTF-8

### 26.3 RegisterNotification

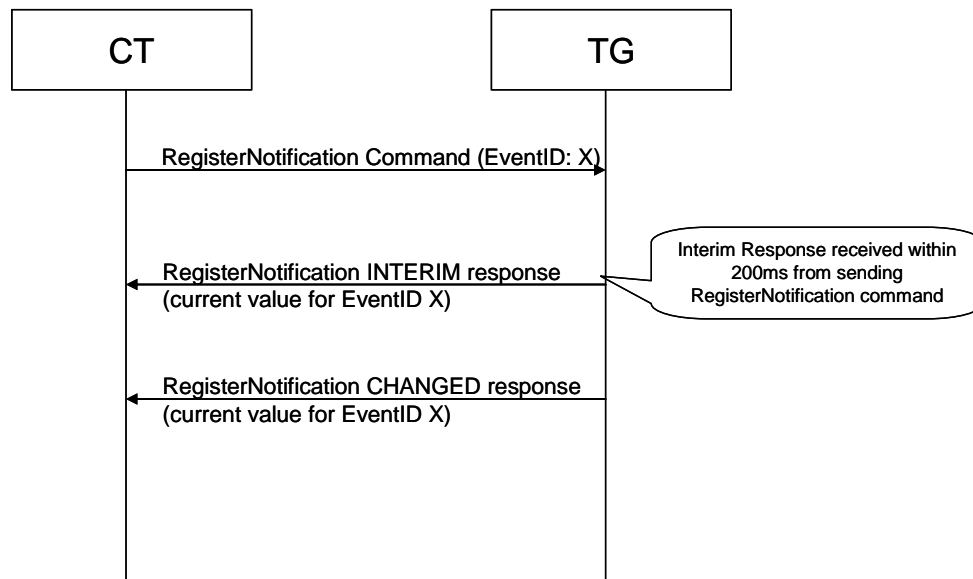


Figure 26.4: Example of using *RegisterNotification*

## 26.4 RequestContinuingResponse

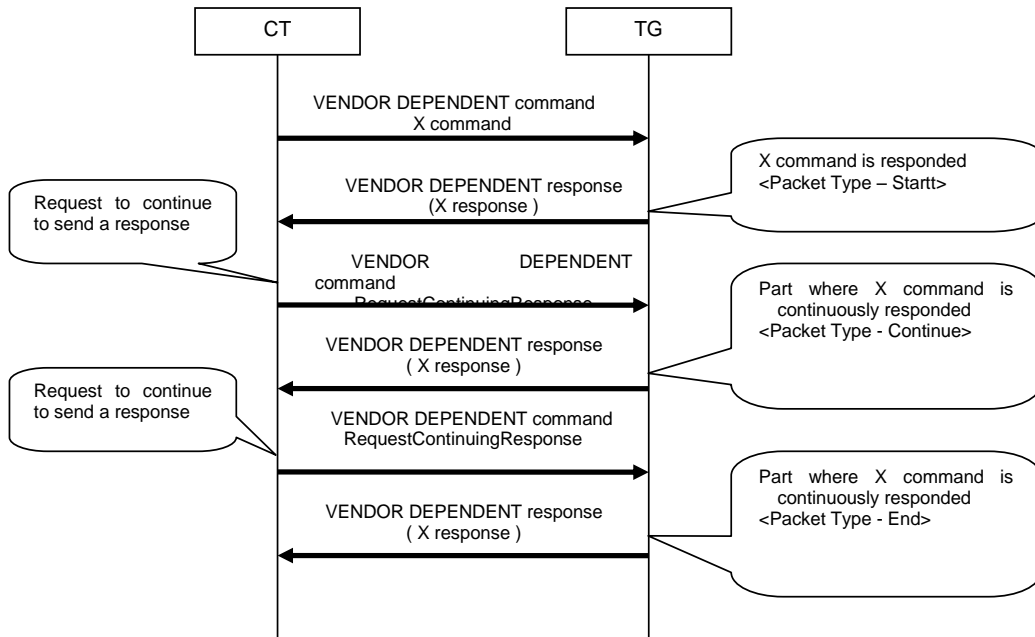


Figure 26.5: Example of using RequestContinuingResponse

## 26.5 AbortContinuingResponse

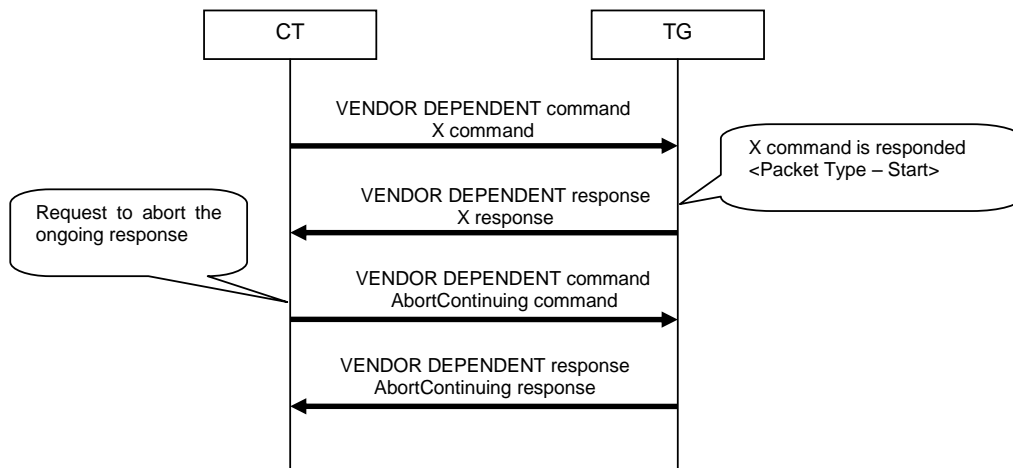
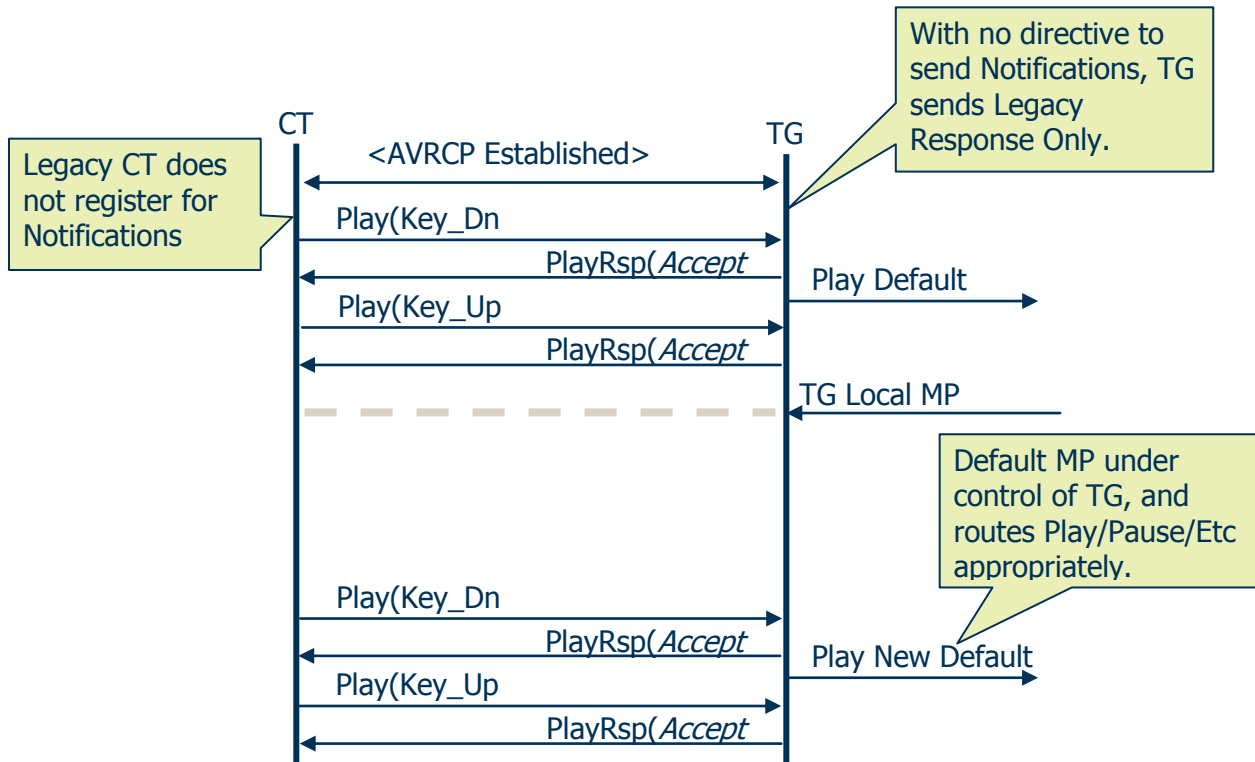
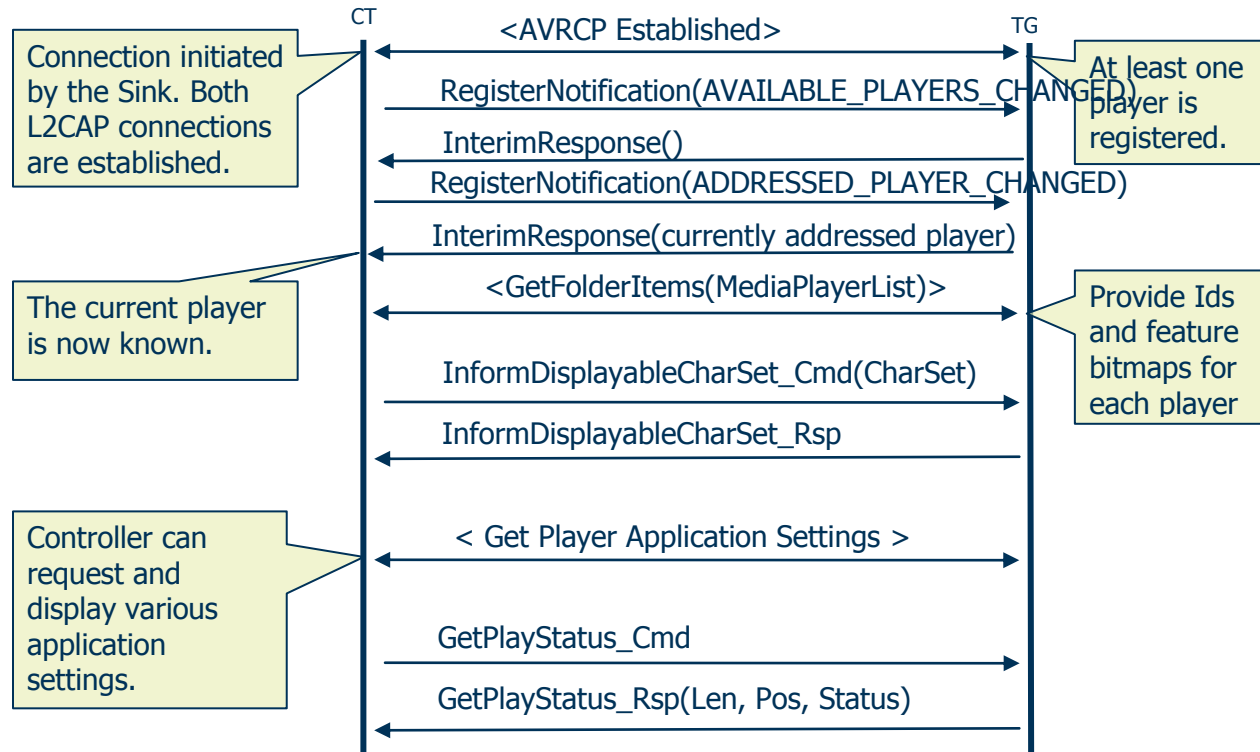


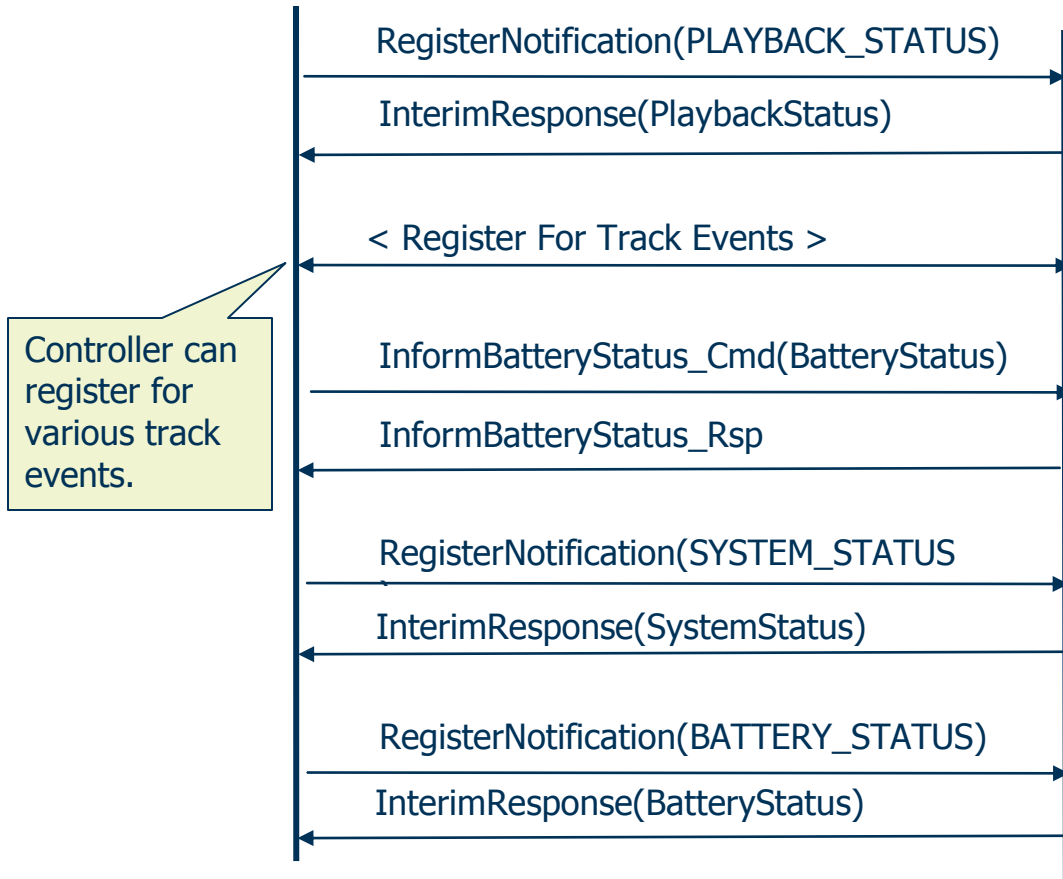
Figure 26.6: Example of using AbortContinuingResponse

## 26.6 Play Legacy CT and v1.4 TG

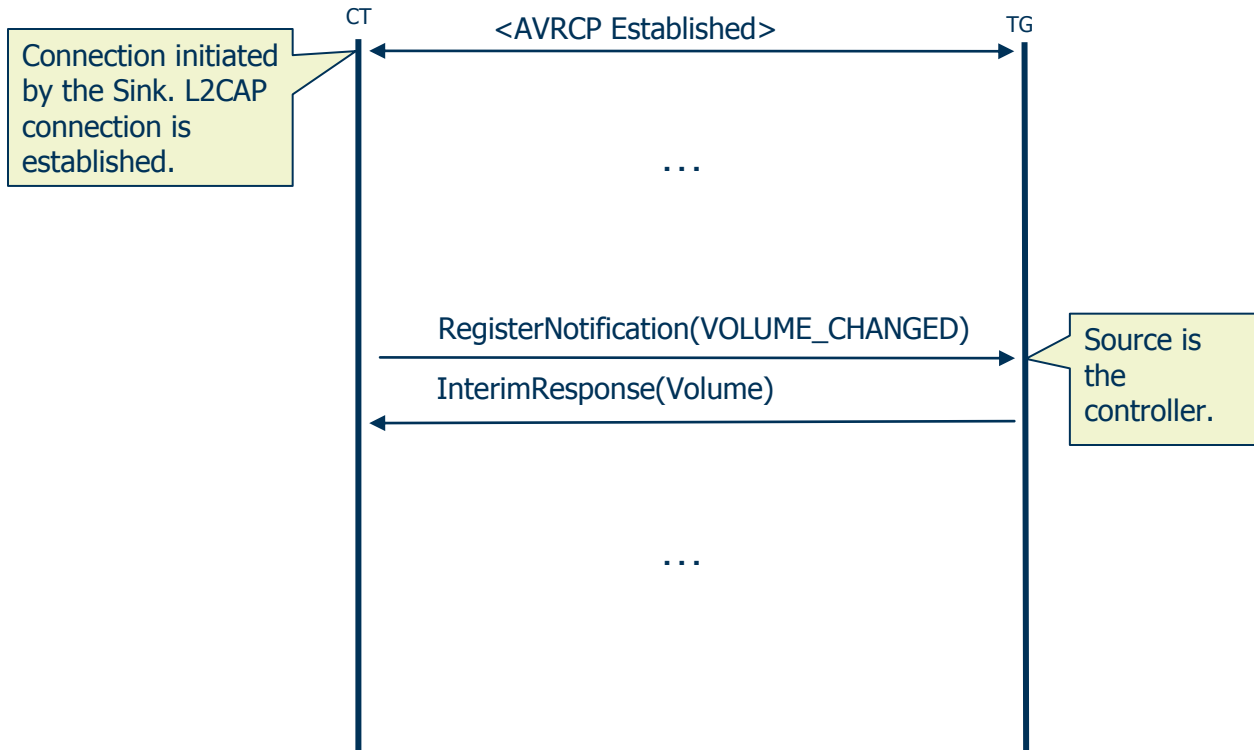


### 26.7 Power On (Media Sink)

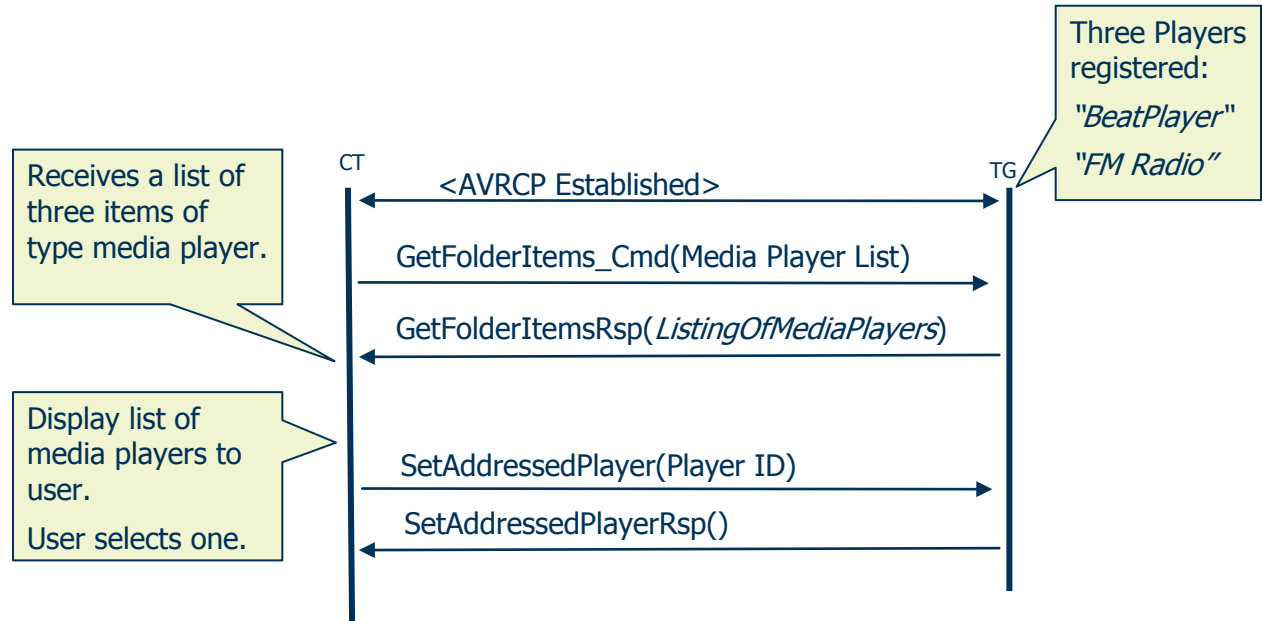




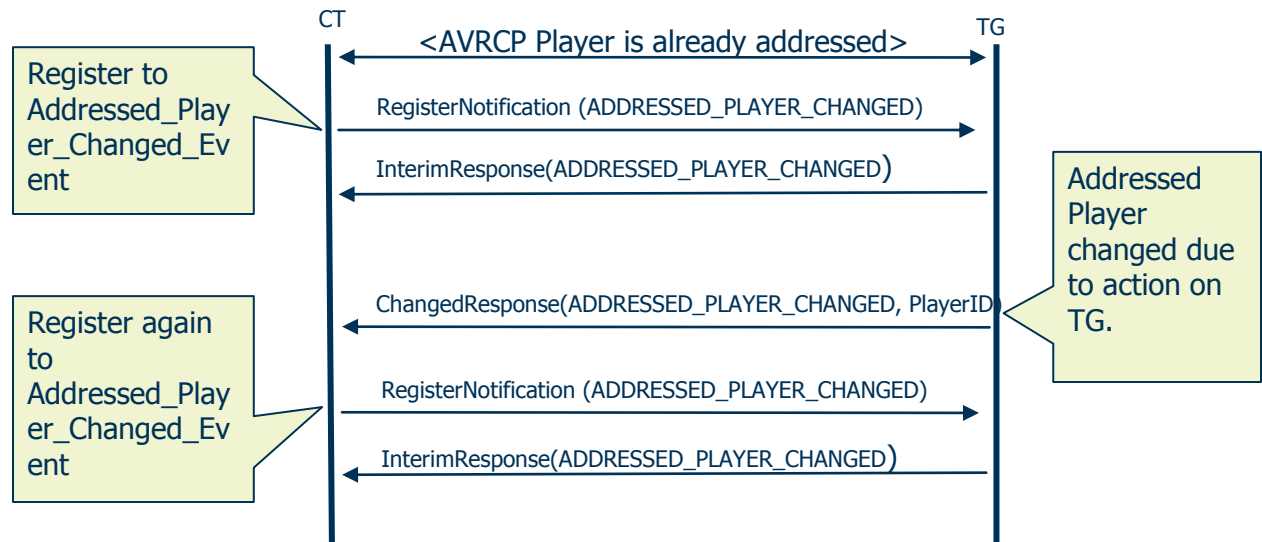
## 26.8 Power On (Media Source)



### 26.9 Usage of Multiple Media Players Discover available media players and select one

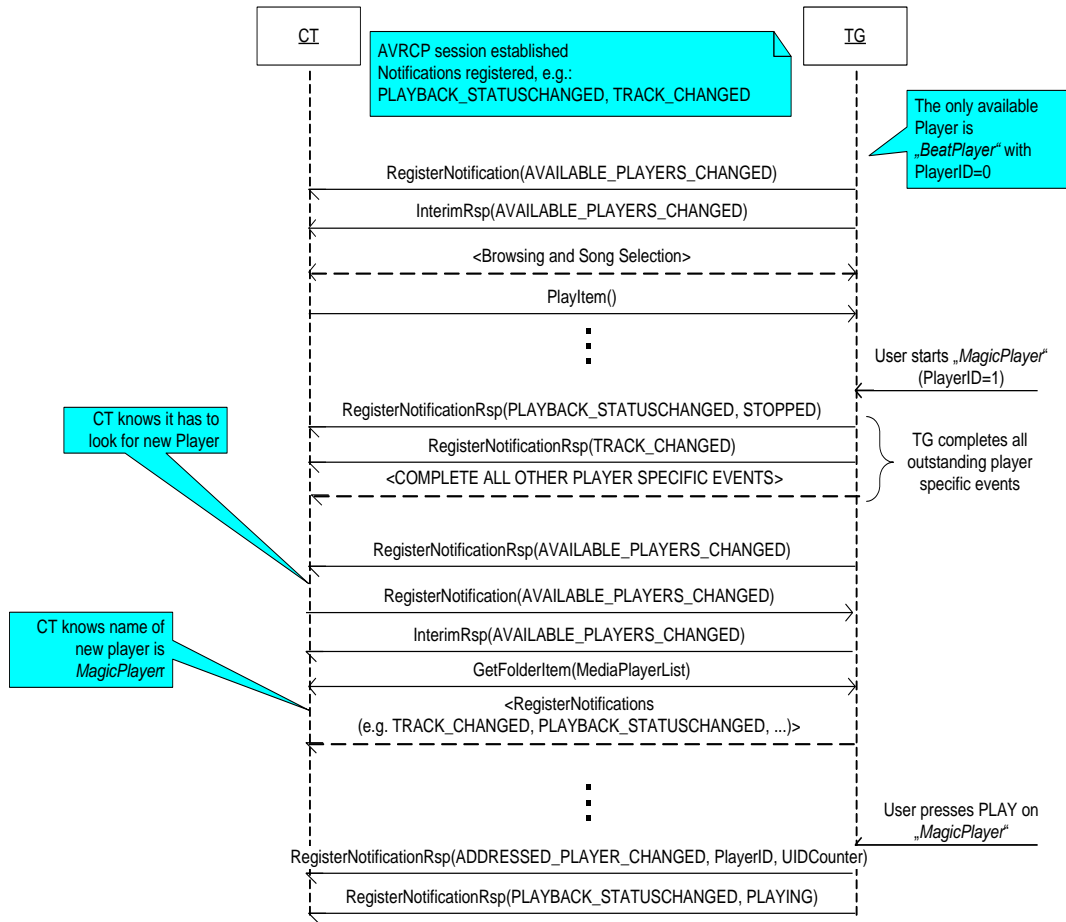


### 26.10 Usage of Multiple Media Players Notification Player Changed



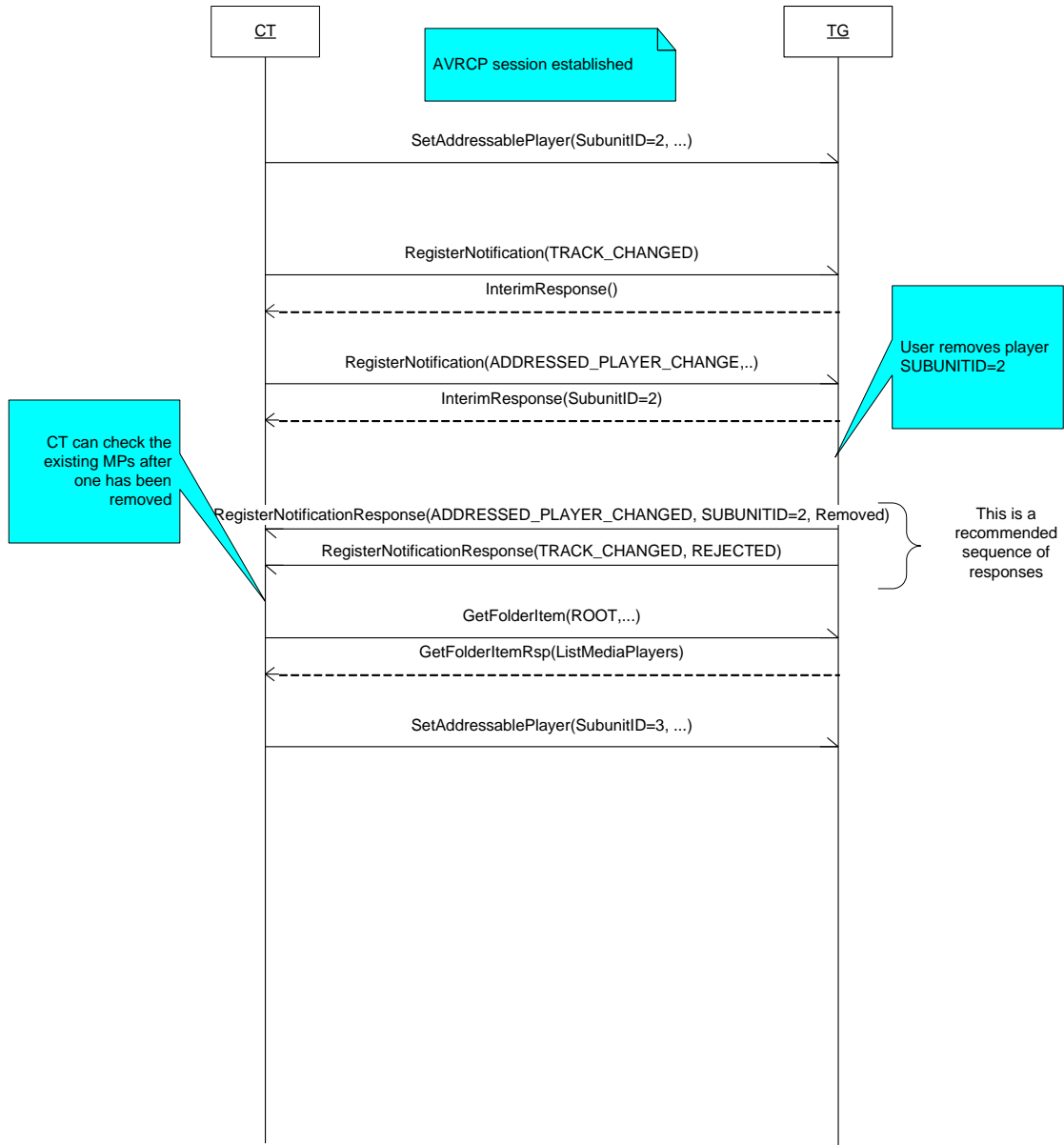


## 26.11 Usage of Multiple Media Players Add Media Player



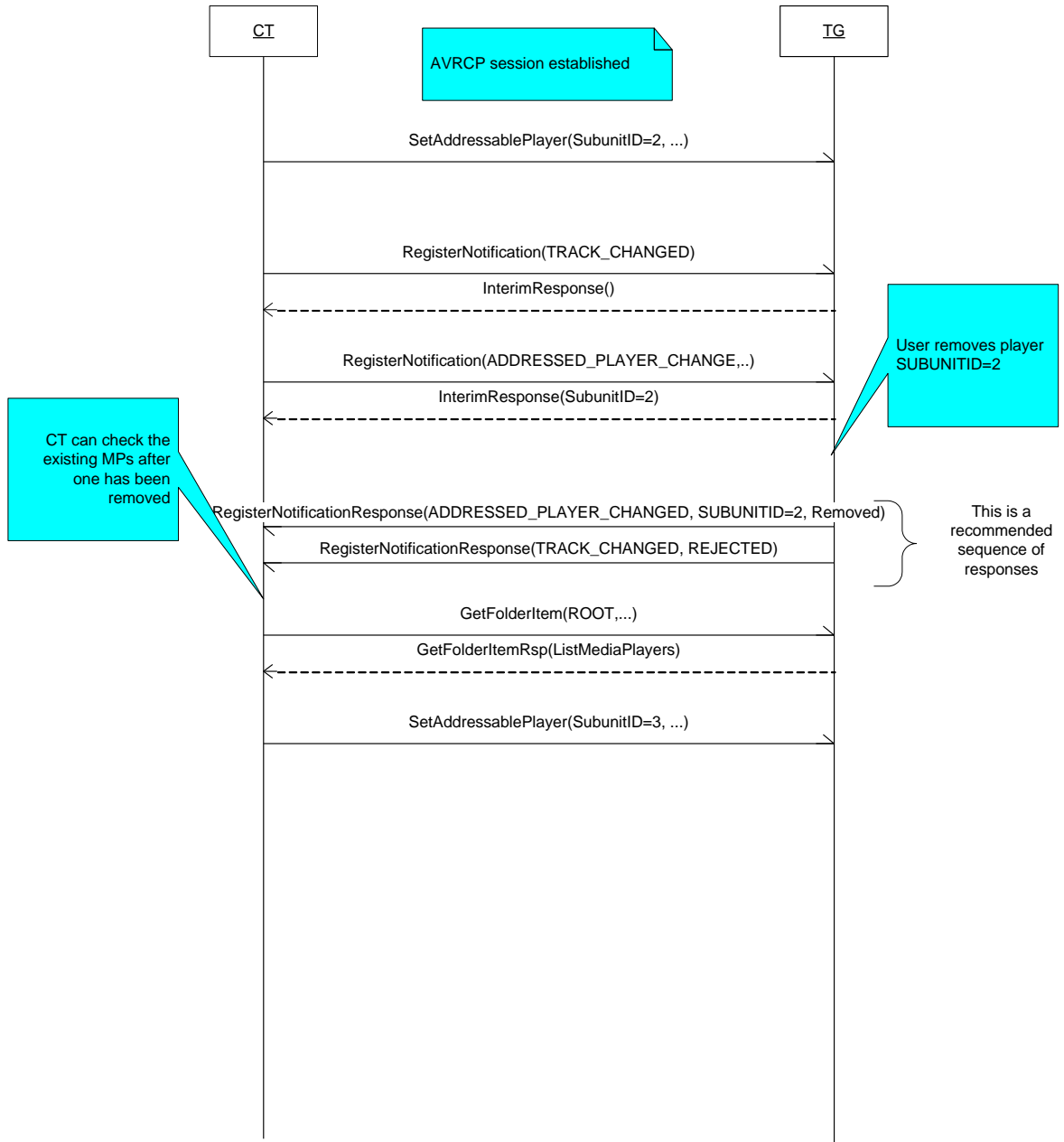
## 26.12 Player Removed when not Active

Remove media player which is currently active (remove addressable player)

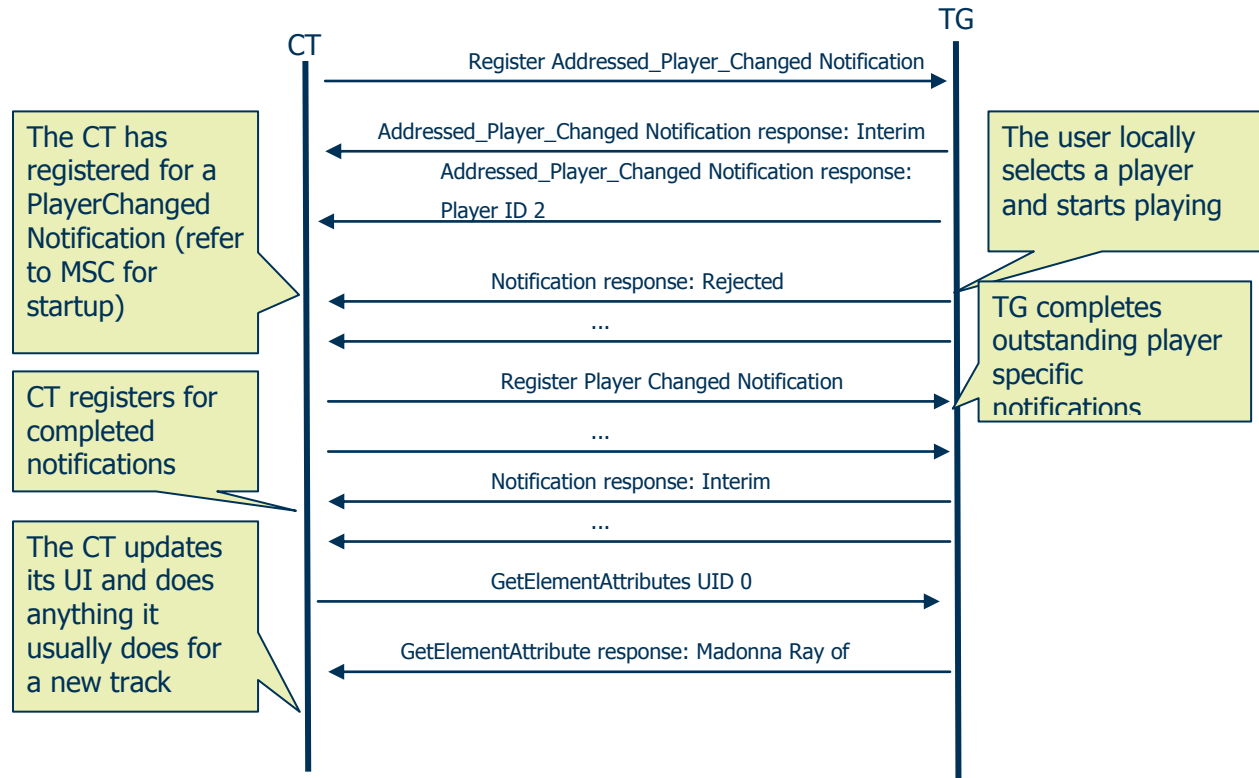


## 26.13 Remove Active Player

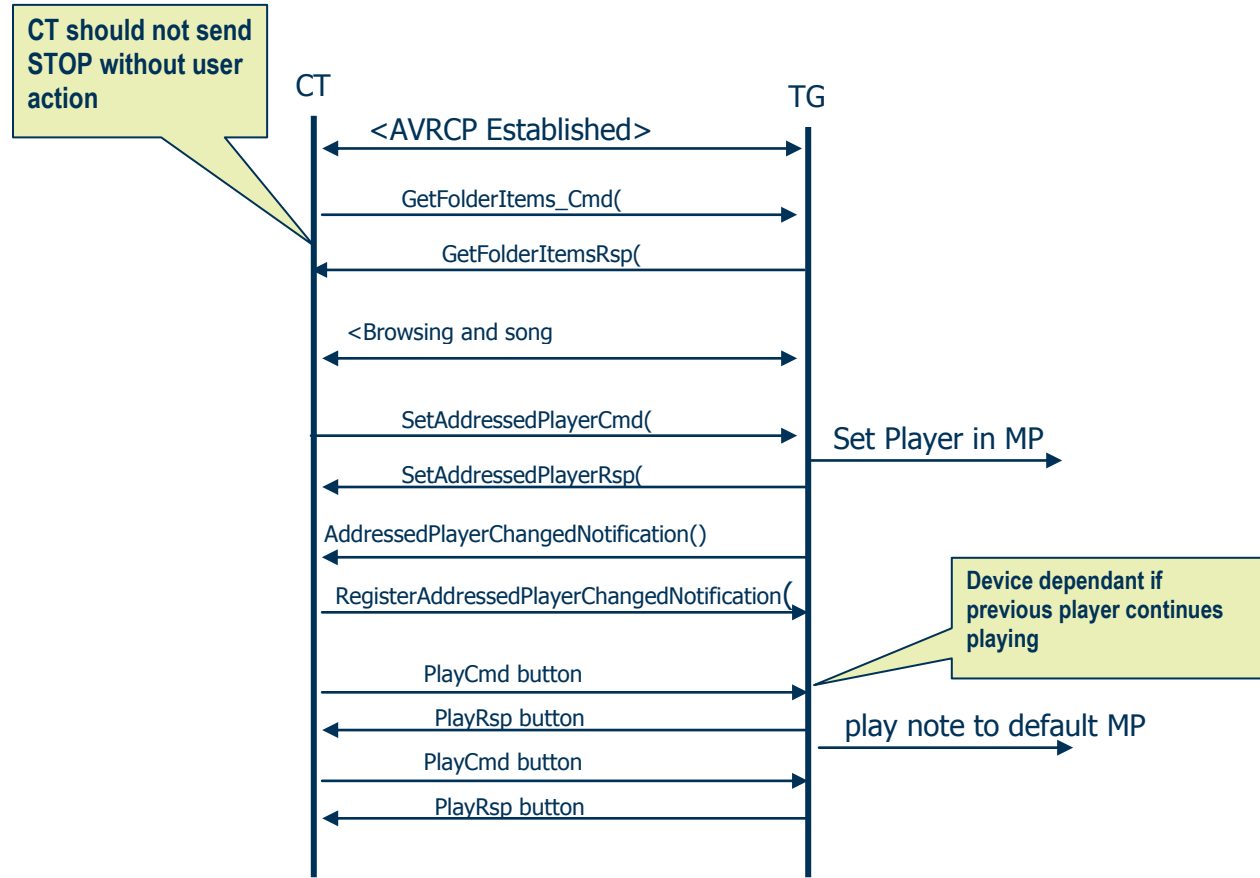
Remove media player which is currently active (remove addressable player)



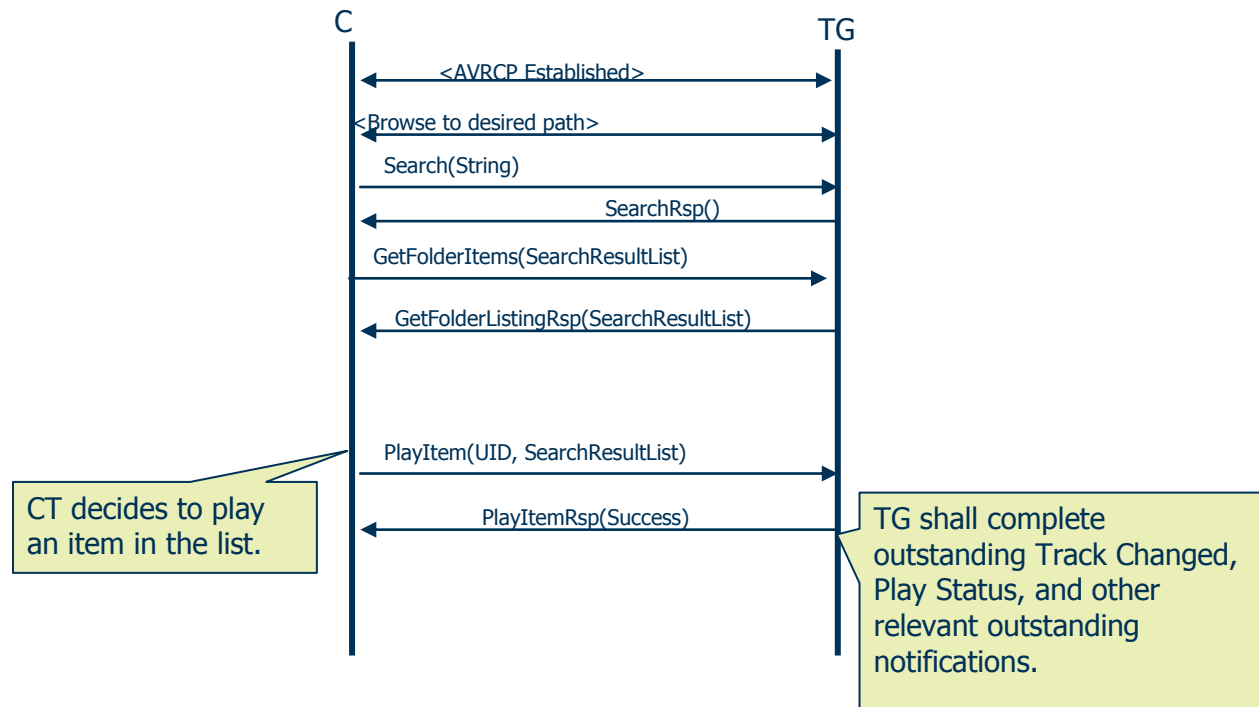
### 26.14 Play file on new media player locally on target



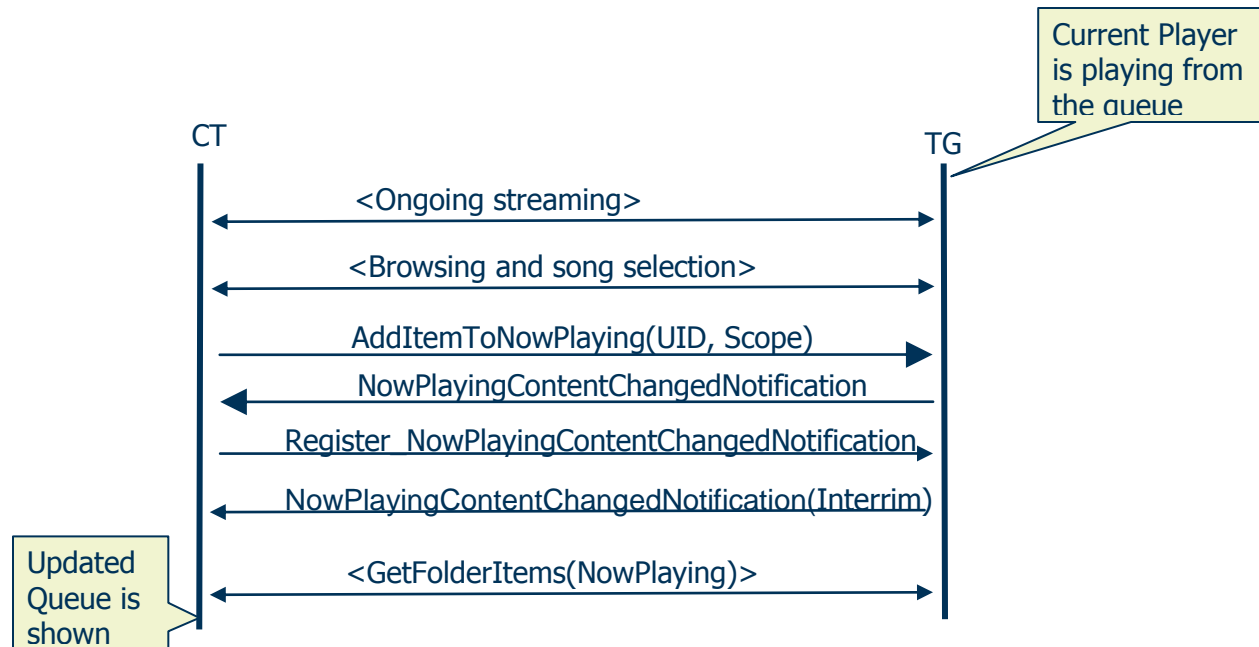
### 26.15 Play File on New Media Player from CT

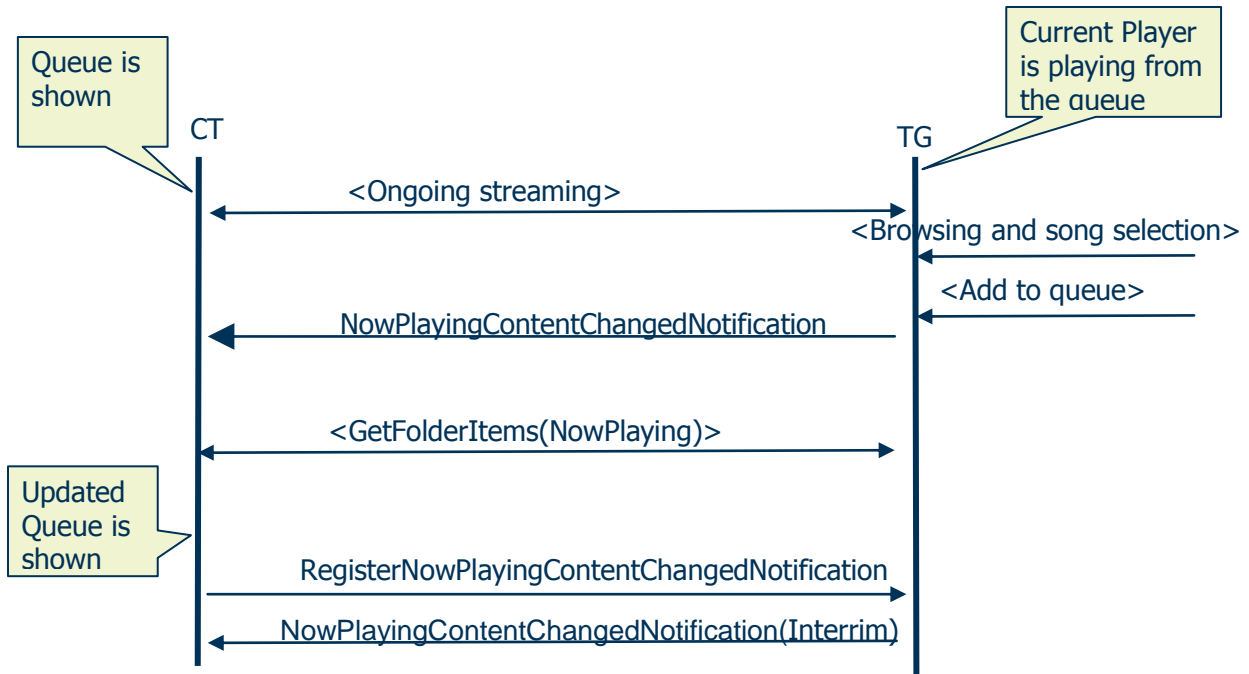


### 26.16 Search and Play

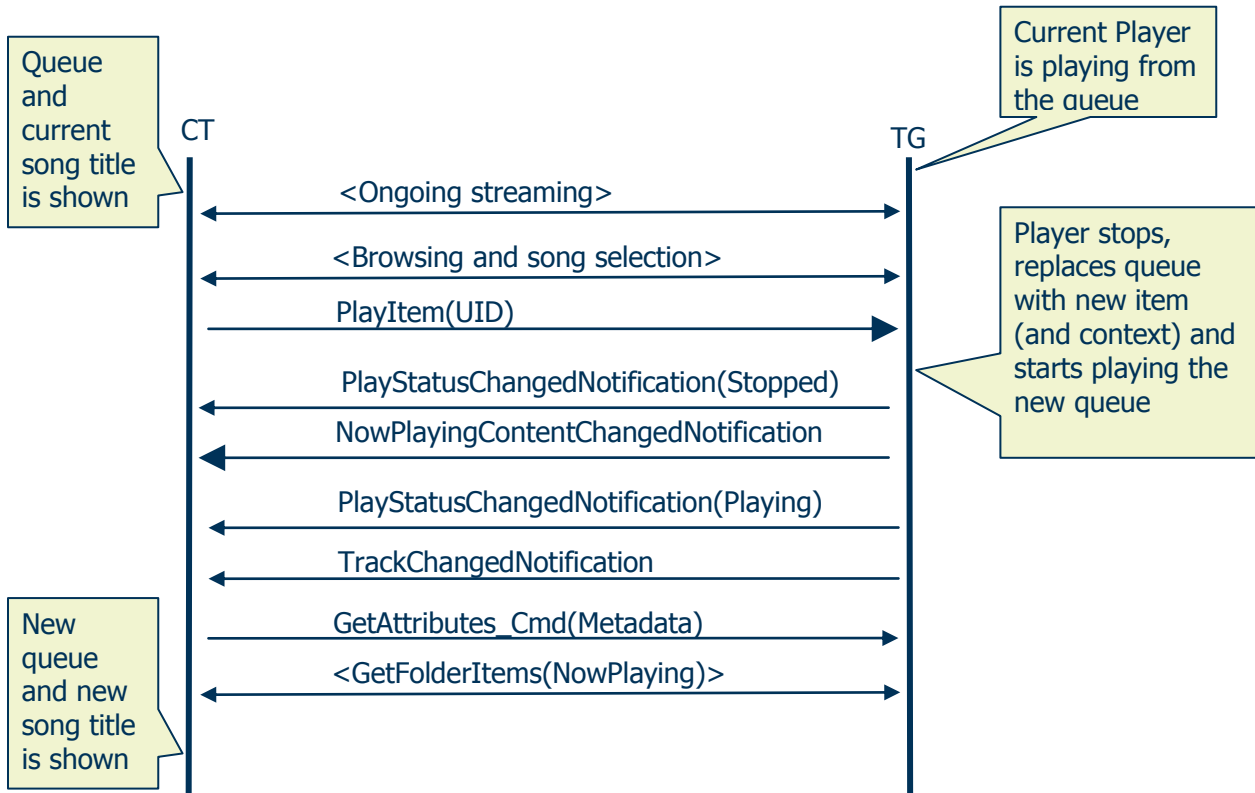


### 26.17 Browse and Add to Queue

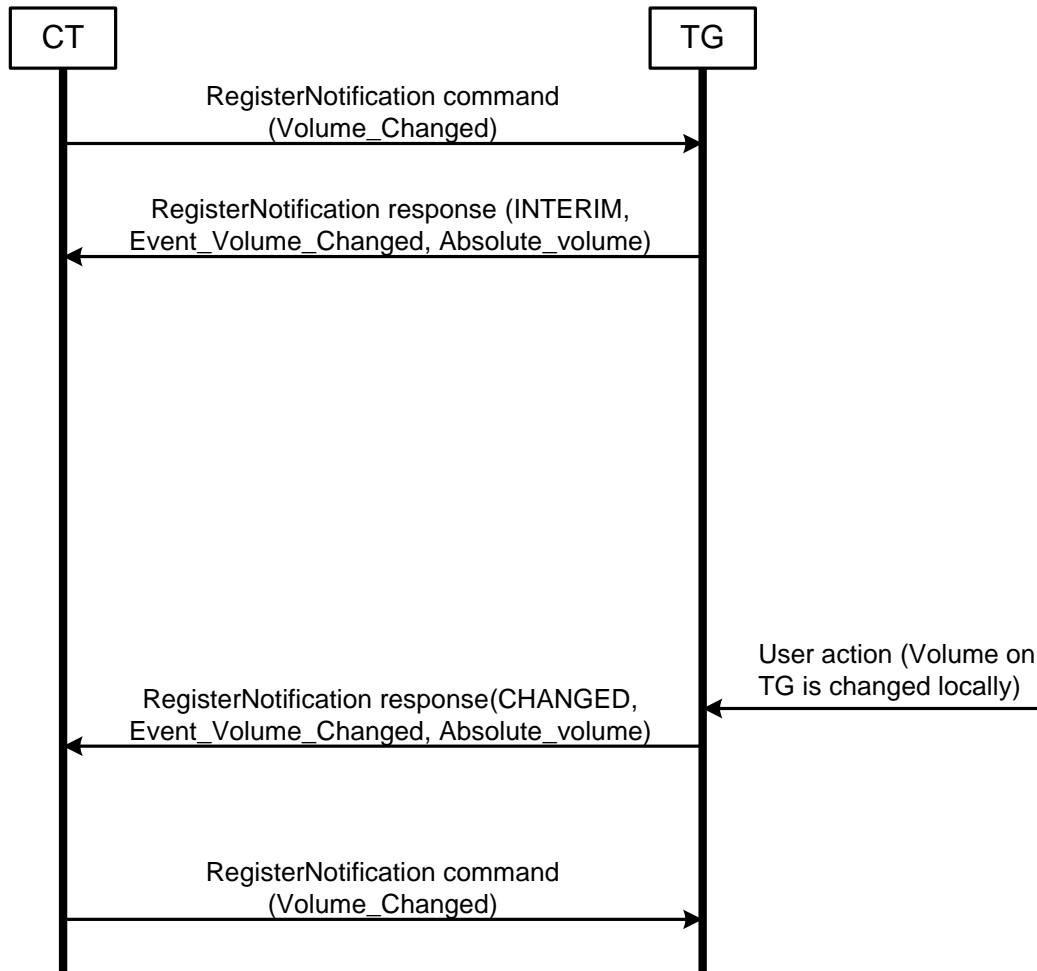




### 26.18 Browse and Play



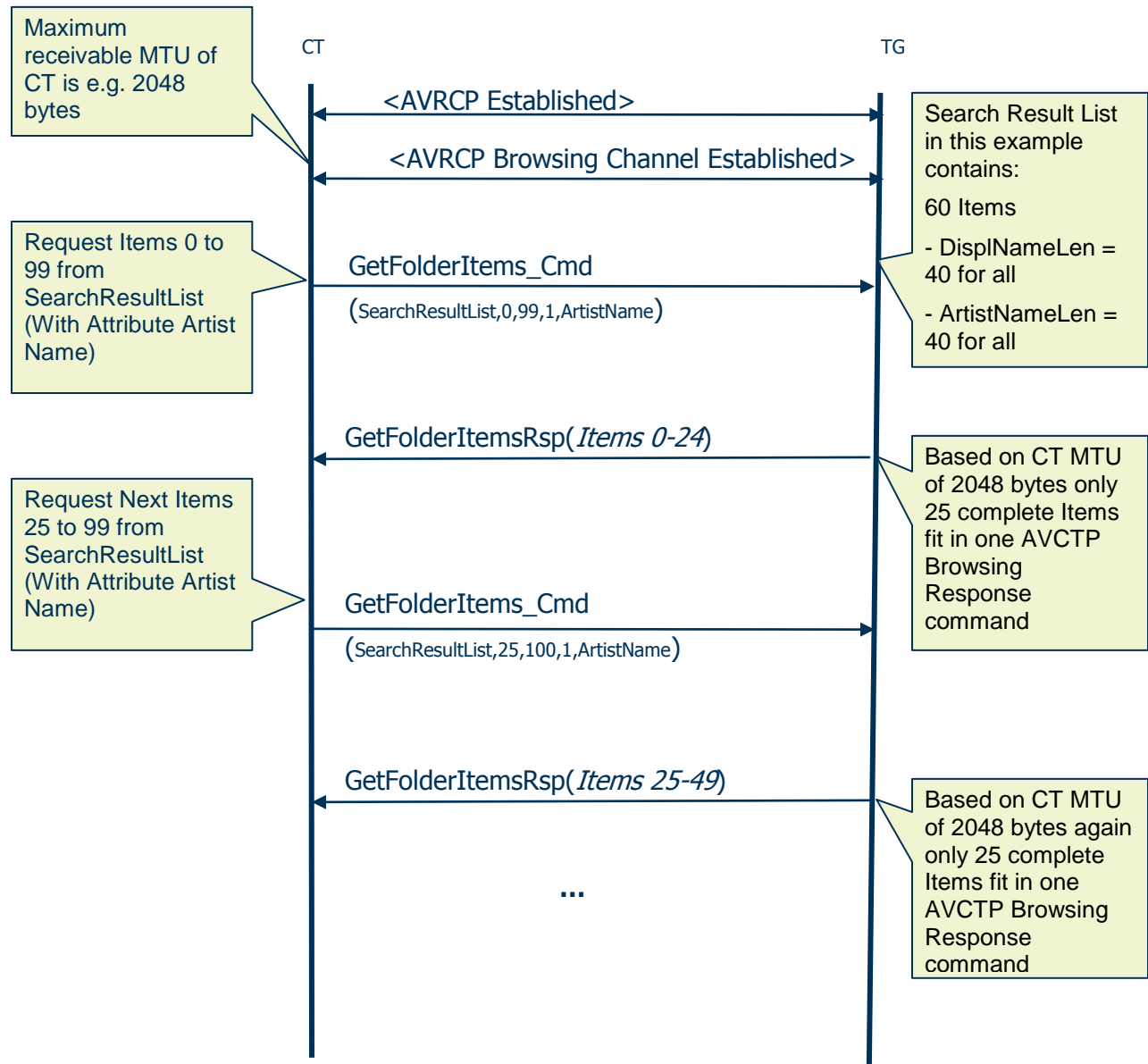
### 26.19 Increase Volume locally on Target



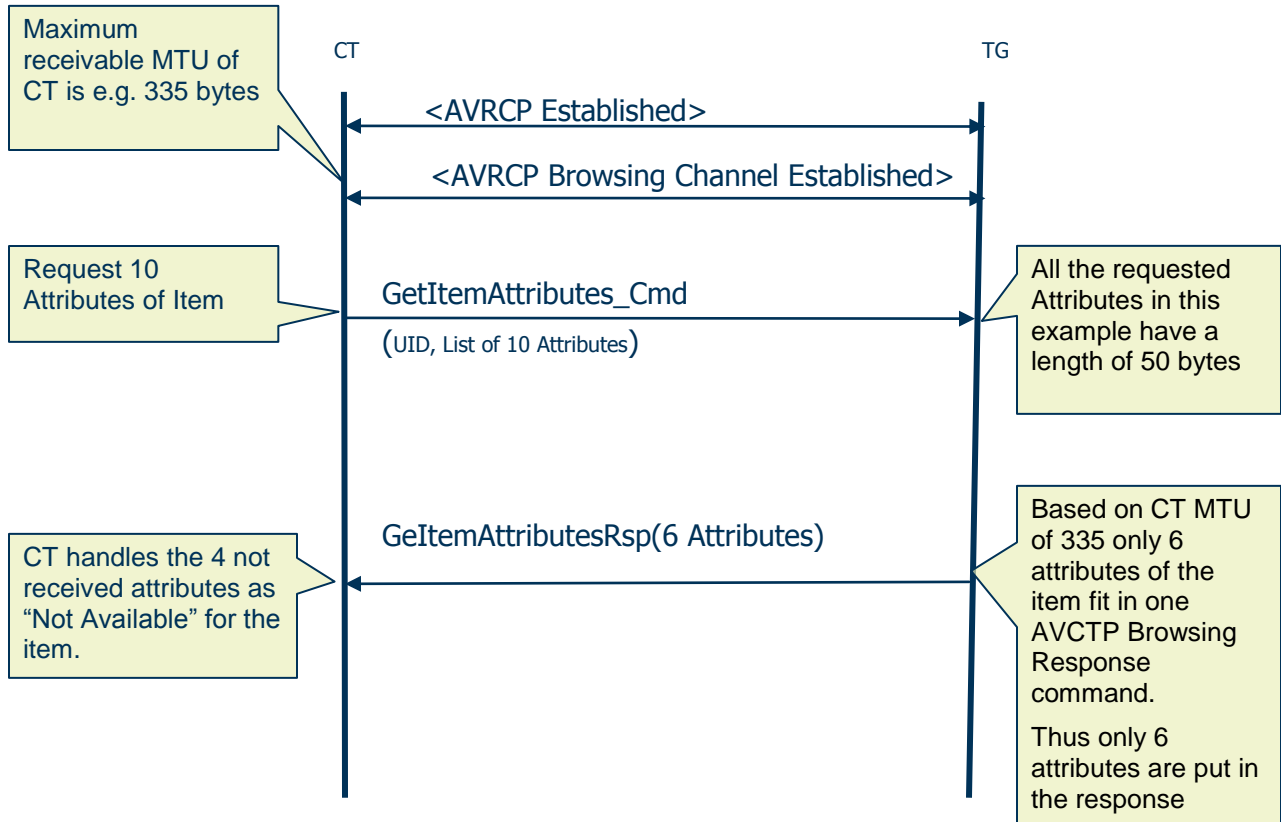
MSC for Increasing / Decreasing volume locally on target



### 26.20 Get Folder Items Truncation on Maximum MTU size



## 26.21 Get Item Attributes Truncation on Maximum MTU size



## 27 Appendix A: AV/C

This appendix summarizes the information contained in the AV/C specification. Refer to the AV/C General specification [1] for more information.

### 27.1 AV/C Command and Response

AV/C command and response frames are encapsulated within the AVCTP Command/Response Message Information field, as described in AVCTP [3].

#### 27.1.1 AV/C Transaction Rules

An AV/C transaction consists of one message containing a command frame addressed to the TG and zero or more messages containing a response frame returned to the CT by the TG. The TG is required to generate a response frame within specified time periods.

Note: INTERIM response may be returned in response to other VENDOR DEPENDENT command. INTERIM response shall not be returned for any other commands.

For more detail regulations, refer to the AV/C General Specification [1].

#### 27.1.2 AV/C Command Frame

An AV/C command frame contains up to 512 octets of data, and it is contained in the AVCTP Command/Response Message Information field. An AV/C command frame has the structure shown below.

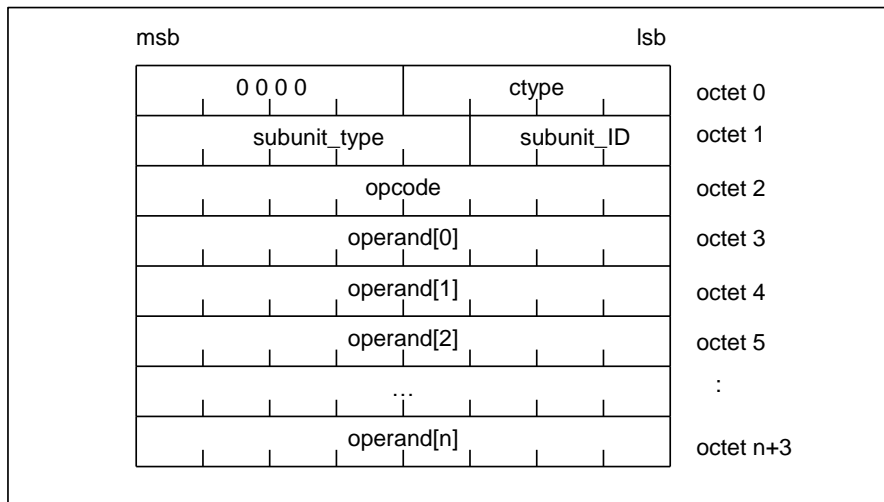


Figure 27.1: AV/C Command Frame

All of the operands are optional and are defined based on the values of *ctype*, *subunit\_type*, and *opcode*.

### 27.1.3 AV/C Response Frame

An AV/C response frame is contained in the AVCTP Command/Response Message Information field, and it has the structure shown in the figure below.

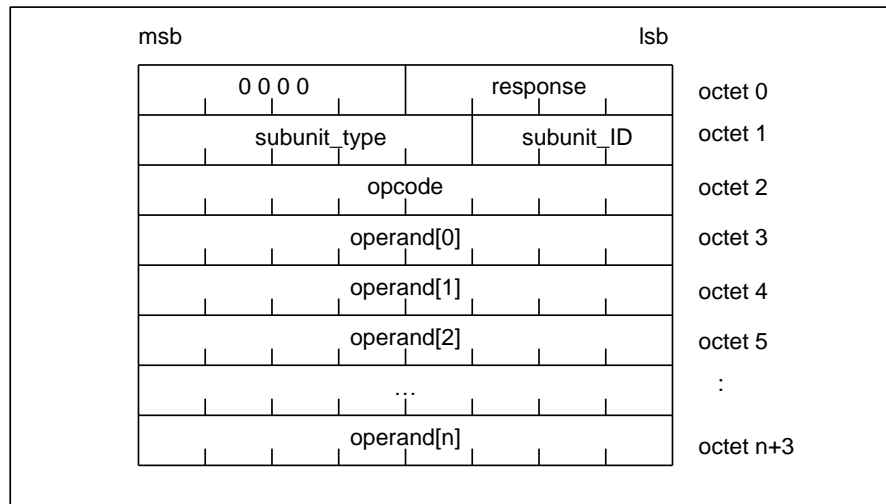


Figure 27.2: AV/C Response Frame

All of the operands are optional and are defined based on the values of *ctype*, *subunit\_type*, and *opcode*.

### 27.1.4 AV/C Frame Fields

For the fields and code values for AV/C command and response frames listed below, as well as the definition of reserved field and reserved value, refer to the AV/C General Specification.

- Command type codes (*ctype*)
- Response codes (*response*)
- AV/C address (*subunit\_type*, *subunit\_ID*)
- Subunit\_type and subunit\_ID encoding
- Operation (*opcode*)
- Operands

## 28 UID scheme[informative]

---

In order to further illustrate the UID scheme described in Section 6.10.3, this section provides a role based view on the tasks a device has to perform.

### 28.1 Target Device (TG)

Depending on its capabilities, a TG device needs to distinguish with respect to its database management whether it is database-aware or database-unaware, see Section 6.10.3.

Database Unaware Players:

- always use UIDcounter=0
- File removal on TG is detected when CT tries to access that file
- File insertion on TG is detected when CT refreshes the folder information the new file is located under
- May send a UIDs\_CHANGED\_EVENT in case a change to the media database can be detected in specific situations (e.g. removal of memory card).

Database Aware Players:

- File removal and insertion from/to the database get detected immediately
- TG Increases the UIDcounter
- TG sends UIDs\_CHANGED\_EVENT to CT

### 28.2 Controller Device (CT)

In order to correctly follow the UID scheme, a CT can simply

- refresh data whenever receiving a UIDs\_CHANGED\_EVENT or an increased UIDcounter
- Do not cache UIDs for folder-re-browsing when UIDcounter=0

If a CT wants to optimize the AVRCP performance by caching UIDs in between folder changes, it should verify that the player on the TG is database aware (UIDs unique in player browse tree).

If a CT wants to optimize the AVRCP performance by caching UIDs in between AVRCP Browse Reconnects (e.g. after Bluetooth link reconnection), it should verify that the player on the TG is database aware and supports UID Persistency.