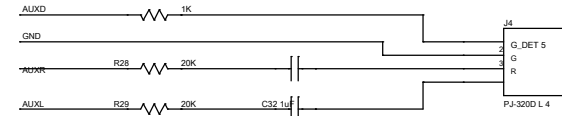
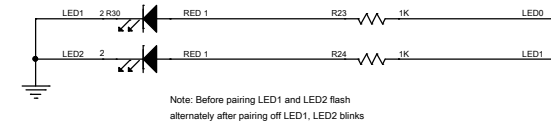


AUX Entry

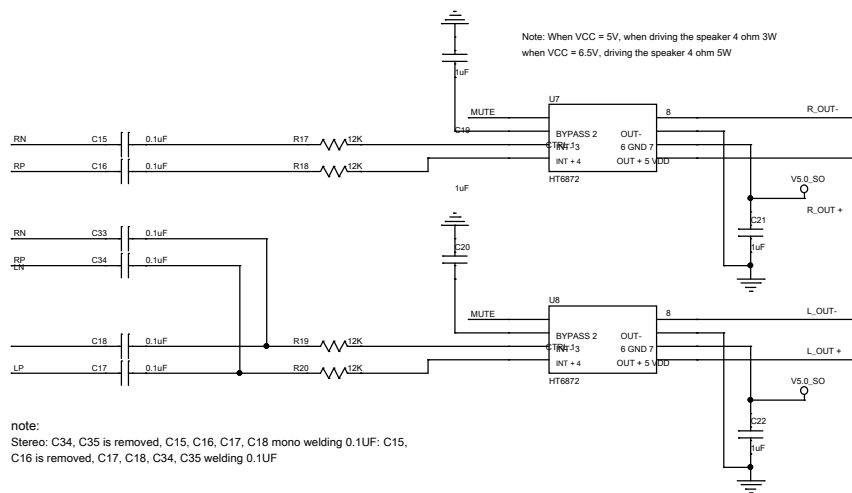
Note: AUXD is low, the switching state of this circuit implementation AUX inserted state automatic switching



led Pilot lamp

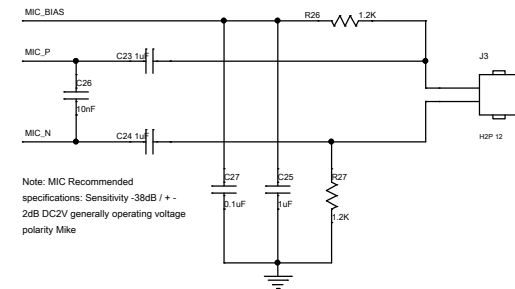


Note: Before pairing LED1 and LED2 flash alternately after pairing off LED1, LED2 blinks



note:
Stereo: C34, C35 is removed, C15, C16, C17, C18 mono welding 0.1uF: C15, C16 is removed, C17, C18, C34, C35 welding 0.1uF

MIC Entry



Note: MIC Recommended specifications: Sensitivity -38dB / +- 2dB DC2V generally operating voltage polarity Mike

Project name			
BT_BK8000L_V2.0 shop address: http://shop110280715.taobao.com			
Size	A3	Document Number	<Doc>
Rev			V2.0
Date:	Wednesday, May 09, 2018 03:11:01		Sheet 2 of 2